

**Features**

- Drilled for concealed arm carrier.
- Heavy-gauge steel hangers.
- Distinctive flexible design.
- 4" (102 mm) center.
- 20-15/16" (532 mm) x 21-3/4" (552 mm) x 12-3/8" (314 mm)

**Material**

- Vitreous china.

**Installation**

- Wall-mount

**Components**

Additional included component/s: Hangers.



**ADA**

**Codes/Standards**

ASME A112.19.2/CSA B45.1

ADA

ICC/ANSI A117.1

**STERLING® Brand Five-Year Limited  
Warranty - R11402-2PC-NA**

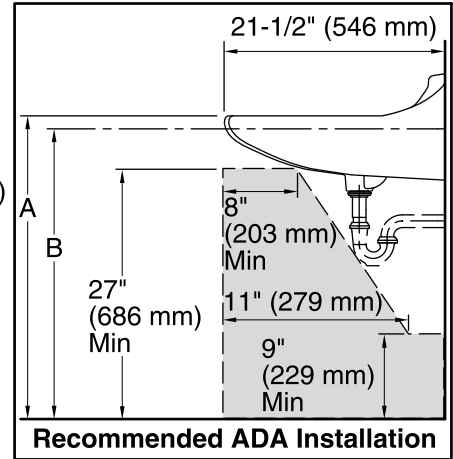
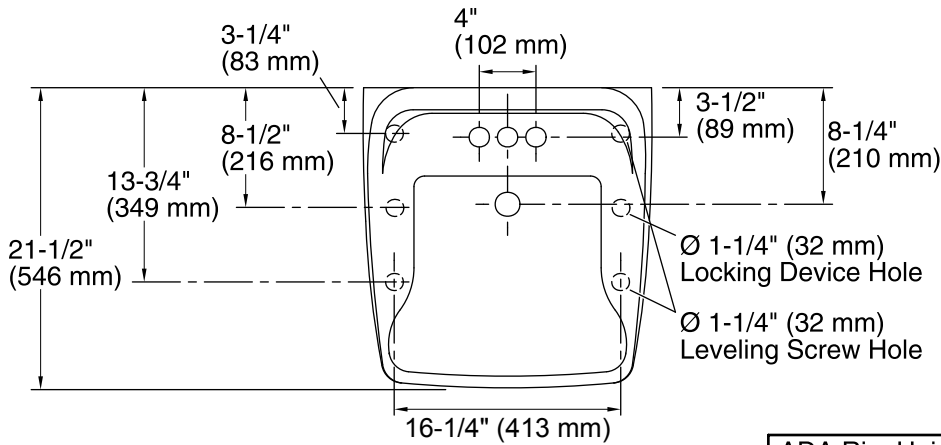
See website for detailed warranty information.

**Available Color/Finishes**

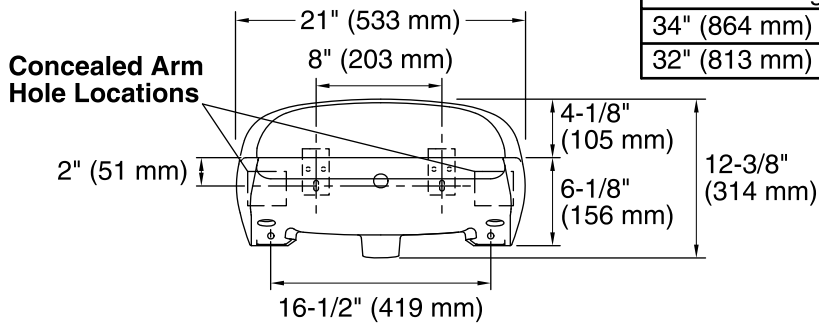
*Color tiles intended for reference only.*

**Color Code Description**

● 0 White



ADA Rim Height = A	ADA Arm Carrier Height = B
34" (864 mm) Max	32" (813 mm) Max
32" (813 mm) Min	30" (762 mm) Min



**Technical Information**

All product dimensions are nominal.

Bowl configuration: Single

Installation: Wall-mount

**Notes**

Install this product according to the installation guide.

ADA compliant when installed to the specific requirements of these regulations.