

Features

- Drilled for concealed arm carrier.
- Heavy-gauge steel hangers.
- Distinctive flexible design.
- 8" (20.3 cm) center.
- 20-15/16" (53.2 cm) x 21-3/4" (55.2 cm) x 12-3/8" (31.4 cm)

Material

- Vitreous china.

Installation

- Wall-mount

Components

Additional included component/s: Vitreous Lav, and Hangers.



ADA

Codes/Standards

ASME A112.19.2/CSA B45.1

ADA

ICC/ANSI A117.1

All applicable US Federal and State material regulations

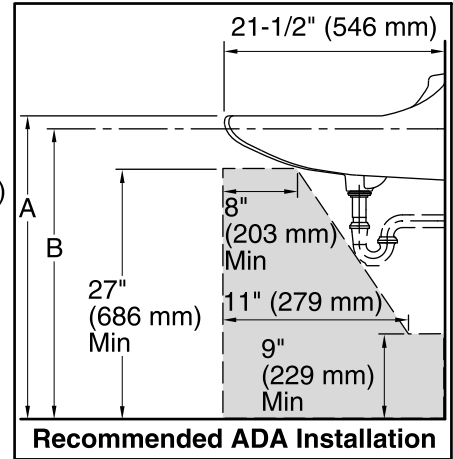
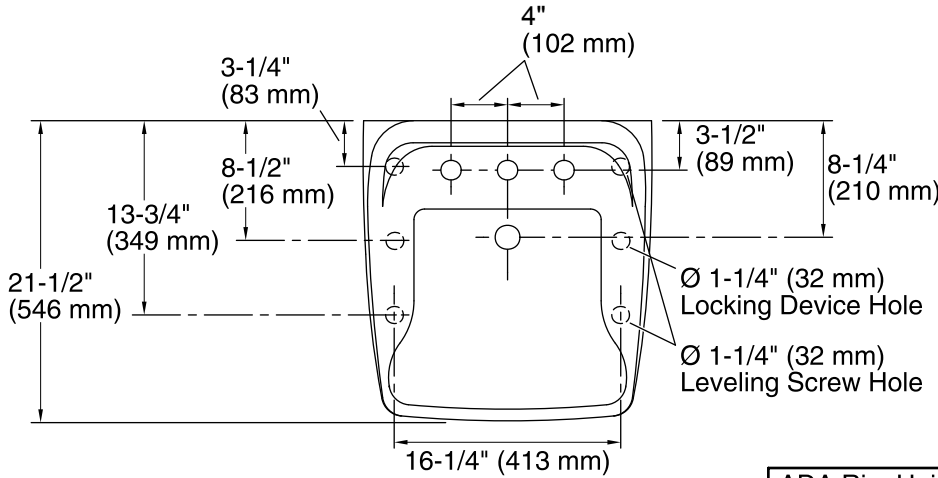
See website for detailed warranty information.

Available Color/Finishes

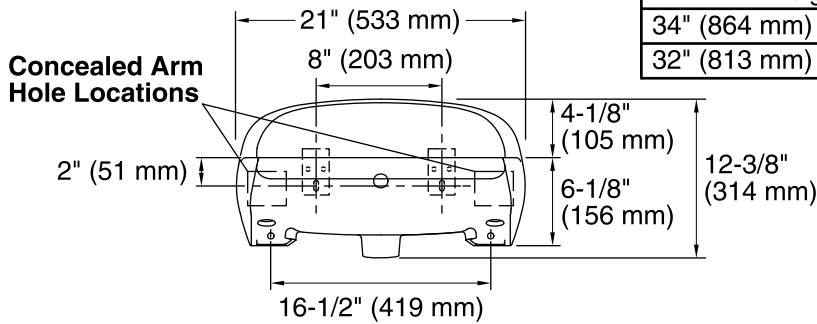
Color tiles intended for reference only.

Color Code Description

● 0 White



ADA Rim Height = A	ADA Arm Carrier Height = B
34" (864 mm) Max	32" (813 mm) Max
32" (813 mm) Min	30" (762 mm) Min



Standard Installation

Technical Information

All product dimensions are nominal.

Bowl configuration: Single

Notes

Install this product according to the installation guide.

ADA compliant when installed to the specific requirements of these regulations.