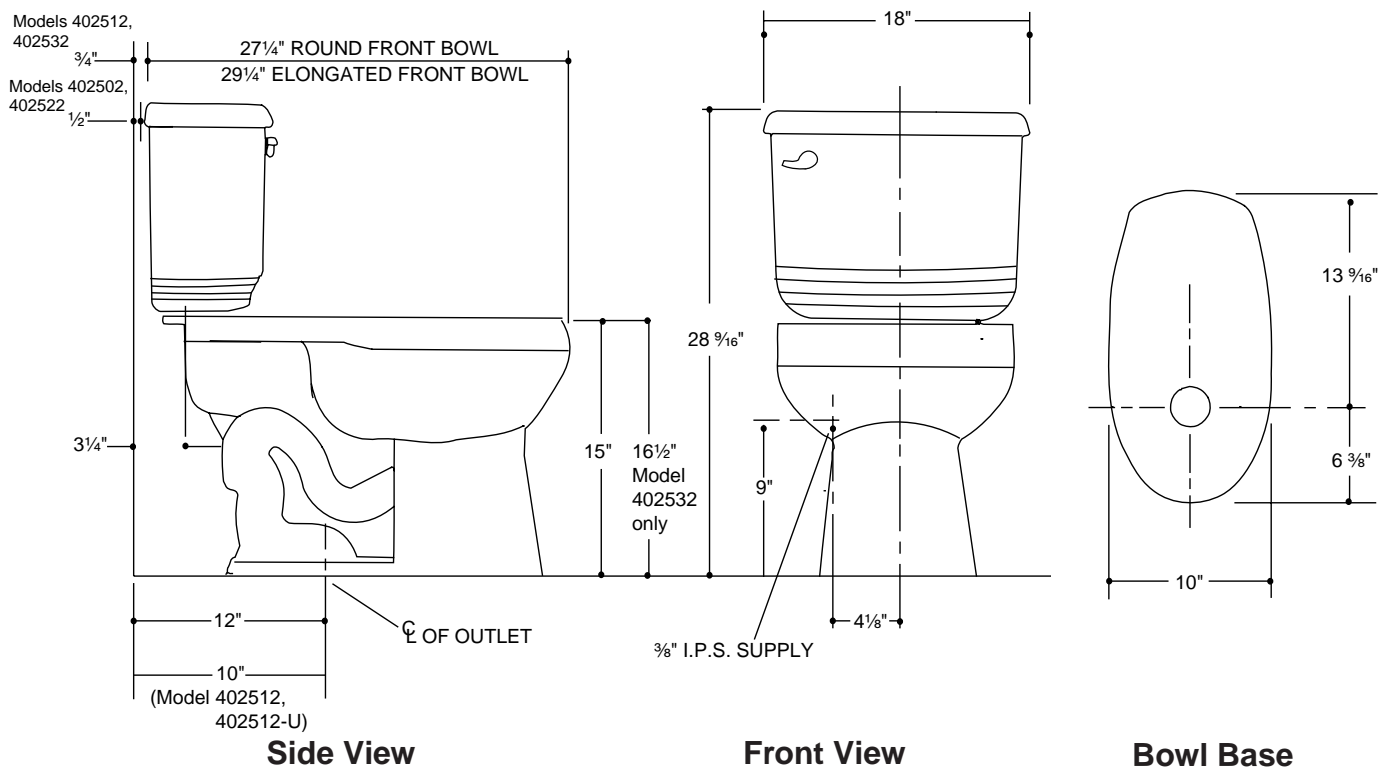




INSTALLATION INSTRUCTIONS

Riverton™
Low Consumption
Round, Elongated, 10", and ADA Toilet
Models 402502, 402522, 402512, 402532
402502-U, 402522-U, 402512-U, 402532-U

Rough-In Information



Specifications

- Toilet combination
 - Round402502, 402502-U
 - Elongated402522, 402522-U
 - 10"402512, 402512-U
 - ADA402532, 402532-U
- Toilet bowl
 - Round404015
 - Elongated404215
 - 10"404210
 - ADA404315
- Toilet tank with trim404522
- Toilet tank with liner404522-U
- Tank lid only404622
- Trip lever kit84625
- Float valve kit85050
- Flush valve kit84910
- Bolt cap kit (includes 2)52048
- Standard round or elongated seatNot supplied

Supporting Documents

- Installation Instructions115946-2
- Specifications115946-4

Warranty Service

Contact: Sterling Plumbing Group
 Consumer Service Department
 2900 Golf Road
 Rolling Meadows, IL 60008
 (800)458-4565

Made in Mexico

Standards

Meets or exceeds all applicable ASME/ANSI A112.19.2M-1995 standards for vitreous china plumbing fixtures.



FOR REPLACEMENT PARTS CONTACT YOUR STERLING PLUMBING PRODUCTS DEALER.

THESE INSTRUCTIONS CONTAIN WARRANTY AND MAINTENANCE INFORMATION. PLEASE SAVE FOR FUTURE REFERENCE.

1 Planning

Before you remove your old toilet, unpack the new toilet and carefully inspect each part for any damage that may have occurred during shipment. If damage is discovered, contact your place of purchase. You do not want to discover damage after the toilet has been installed. Until you are ready to begin installation, place the toilet in a safe place to prevent damage. Check contents of carton for furnished materials.

Refer to the illustration on the front page, noting fixture dimensions and locations of water supply and outlet.

For new construction, refer to the dimensions on the front page for locating the supply stop. **OBSERVE ALL LOCAL PLUMBING CODES.**

IMPORTANT: Make sure the wall and floor are square and plumb to ensure proper installation.

Tools Required

- Putty knife
- Adjustable wrench
- Pipe wrench
- Tubing cutter
- Screwdriver
- Tape measure
- Hacksaw
- Level

Materials Required

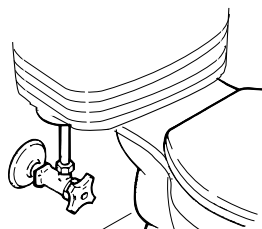
- Toilet gasket (wax seal)
- Toilet T-bolts (2) $\frac{5}{16}$ " or $\frac{1}{4}$ " diameter
- Toilet supply stop, $\frac{3}{8}$ " recommended. (If existing toilet does not have a supply stop below tank, install supply stop before installing new toilet.)
- Plastic coupling nut (supplied)

Safety Equipment

- Safety glasses

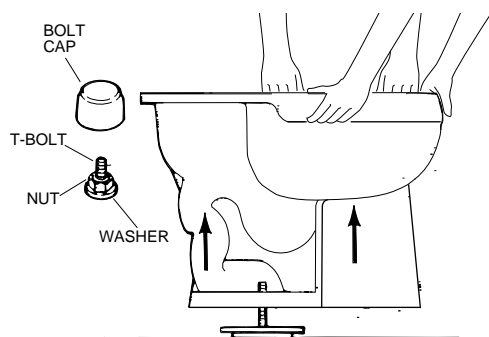
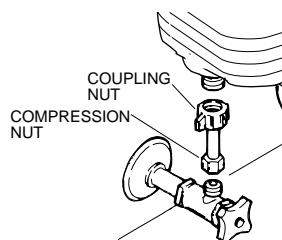
2 Turn Off Water Supply

Turn off water supply at supply stop or water meter. Flush toilet and remove any remaining water from bowl and tank with sponge.



3 Disconnect Water Supply

Place container under supply stop to catch water remaining in supply tube and supply stop. Disconnect coupling nut from underside of tank. Disconnect compression nut from supply stop. Set assembly aside.



4 Remove Existing Toilet

NOTE: Toilet is heavy. Manufacturer suggests you enlist the help of a second person to remove toilet from T-bolts.

Pry bolt caps from T-bolts. Remove nuts, washers, and retainers from T-bolts. Grasp sides of bowl and remove from floor.

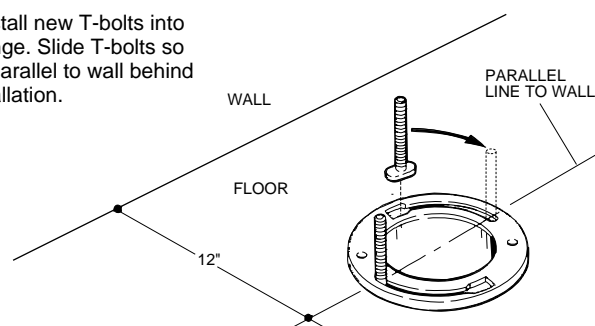
NOTE: Remove toilet from closet flange by gently rocking toilet back and forth.

Remove old gasket from closet flange. Remove T-bolts from closet flange. Clean flange area.

IMPORTANT: If new toilet will not be installed immediately, stuff a rag into closet flange. This will prevent sewer gas from coming into bathroom.

5 Install New T-Bolts

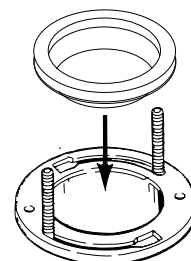
Install new T-bolts into closet flange. Slide T-bolts so they are parallel to wall behind toilet installation.



6 Install Toilet Gasket

Center wax toilet gasket directly over closet flange. Place wax toilet gasket onto closet flange.

NOTE: If using gasket with plastic sleeve, be sure sleeve side faces closet flange.



7 Setting the Toilet

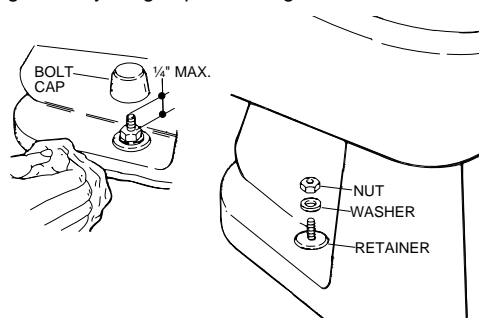
IMPORTANT: Remove rag from closet flange before setting new toilet.

NOTE: Toilet is heavy. Manufacturer suggests you enlist the help of a second person to set toilet.

Carefully lower toilet onto T-bolts on closet flange.

CAUTION: DO NOT lift or rock toilet after placement. This will damage toilet gasket. If gasket's watertight seal is broken, you must replace gasket.

Applying full body weight, press straight down on rim of toilet.



8 Secure Toilet and Clean Up

Place retainers (provided), washers, and nuts over T-bolts. Hand tighten nuts. Tighten $\frac{1}{2}$ turn with a wrench.

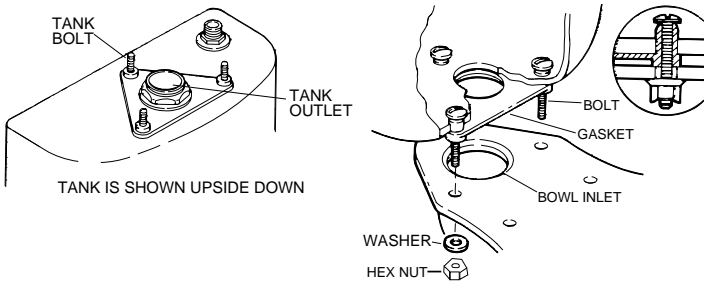
CAUTION: DO NOT overtighten nuts. Doing so may break or chip toilet.

Wipe any wax or dirt from around bolts. If T-bolts extend more than $\frac{1}{4}$ " above nut, cut off excess bolt lengths with a hacksaw. Snap bolt caps (provided) onto retainer.

9 Tank Installation

Inserting tank bolts into bowl mounting holes, place tank onto bowl. Be sure tank outlet is seated in bowl inlet. Attach hex nuts to bolts under bowl by firmly pushing down on tank top. Tighten hex nuts evenly so tank top is level with bowl top. This will ensure tank is level and will obtain a watertight seal between tank and bowl.

CAUTION: DO NOT overtighten hex nuts.



10 Connect Water Supply

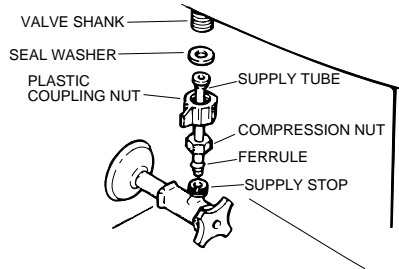
IMPORTANT: Read this step carefully before proceeding. For supply installation, refer to instructions packed with supply stop.

Carefully bend tubing to fit. Cut tubing end so tubing is 1/4" longer than distance between supply stop and valve shank. Remove any burrs from inside tube.

Thread plastic coupling nut (provided with toilet), compression nut, and ferrule onto tubing. Insert bottom end of tubing into supply stop. Position seal washer onto top of supply tube and insert top of supply tube into valve shank.

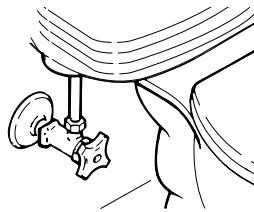
CAUTION: DO NOT overtighten coupling nut or compression nut. DO NOT use tools to tighten plastic nuts.

Hand tighten coupling nut, then compression nut.



11 Turn On Water Supply

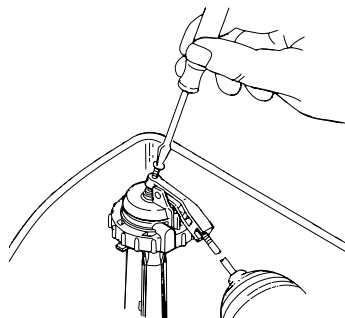
Turn on supply stop and check for leaks. Slightly re-tightening nuts should stop any leaks. Over several days, check all connections for leaks. Nuts under bolt caps may also require re-tightening.



12 Adjust Tank Water Level

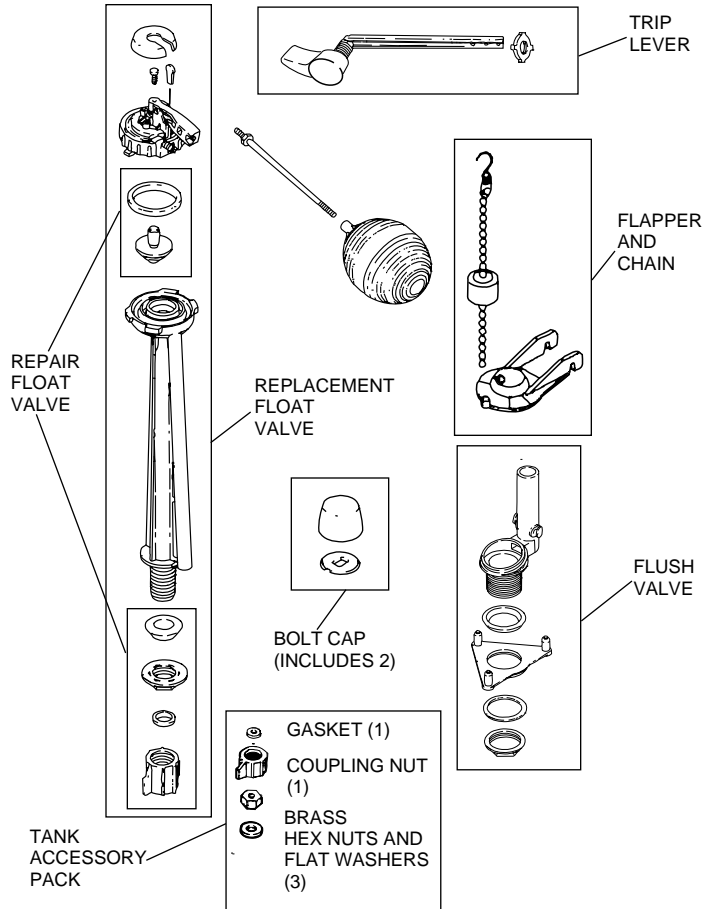
Adjust screw on top of float valve to obtain correct water level in tank. Turn screw counterclockwise to raise water level; turn screw clockwise to lower water level.

NOTE: This toilet is designed to operate without an overflow tube. The barb for connecting an overflow tube to the head of the float valve is visible, but the water passage through the barb is blocked. Overflow tube is not supplied.



13 Repair Parts

Order by kit number only.



Replacement Float Valve kit.....	85050
Repair Float Valve kit.....	84919
Trip Lever Kit.....	84625
Flush Valve Kit.....	84910
Flapper and Chain Kit.....	84879
Bolt Cap Accessory Kit.....	52048
Tank Accessory Pack.....	84581

14 Care and Cleaning Vitreous China Lavatories

RECOMMENDED CLEANING PRODUCTS. If you use the cleaners listed below, your vitreous china toilet will last for years...retaining its surface quality, performance and good looks.

- Lysol Direct Multi-Purpose
- Pine Magic
- Mr. Clean with Soft Abrasive
- Lysol Deodorizing
- Dow Bathroom
- Mr. Clean All-Purpose
- Lysol Pine Action
- Fantastik Bathroom
- Top Job
- Fantastik All-Purpose
- New Spic and Span
- Lime-A-Way Bath and Kitchen

DO NOT USE HARSH ABRASIVE CLEANERS.

15 Troubleshooting Chart

SYMPTOMS	PROBABLE CAUSES	CORRECTIVE ACTION
Continuous water flow into bowl	<p>A. Foreign particles between flapper and flush valve seat.</p> <p>B. Worn flapper.</p> <p>C. Trip lever arm and chain assembly binding, holding flapper open.</p> <p>D. Float valve leaks or does not close.</p>	<p>A. Clean area between flapper and valve seat.</p> <p>B. Replace flapper.</p> <p>C. Repair binding or replace trip lever assembly.</p> <p>D. Repair or replace float valve.</p>
Intermittent water flow into bowl	<p>A. Flapper not fully seated.</p> <p>B. Worn flapper.</p> <p>C. Float valve leaks or does not close.</p>	<p>A. Clean area between flapper and valve seat.</p> <p>B. Replace flapper.</p> <p>C. Repair or replace float valve.</p>
Long or noisy tank fill cycle	Partially plugged valve inlet or supply tubing.	Carefully clean inlet passage.

Troubleshooting Hint

If water continuously runs into toilet, turn off water at supply stop. DO NOT flush toilet.

- Water level in tank lowers. The probable cause is the flapper.
- Water level in tank remains constant. The probable cause is the float valve.

Consumer Responsibilities

Clean your new toilet's bowl and your new china lavatory at least once a week using only recommended cleaners. If you live in a hard water area, you should make certain that the holes under the rim are kept clean for proper bowl flushing. Use a long-handled brush to clean the rim holes.

CAUTION: Do not use in-tank cleaners. Products containing chlorine (calcium hypochlorite) can seriously damage the fittings in your tank. This damage can cause leakage and property damage. Sterling Plumbing Group shall not be responsible or liable for any tank fitting damage caused by the use of cleaners containing chlorine (calcium hypochlorite).

STERLING VITREOUS CHINA FIXTURE LIMITED WARRANTY

Sterling warrants this vitreous china fixture to be free of manufacturing defects for five years from the date of sale. Sterling also guarantees for five years from the date of sale that its low consumption toilets will be free of manufacturing defects that prevent one flush cleansing of the bowl per ASME A112.19.6 1995 performance requirements when installed and operated per instructions packed with the product.

Sterling will, at its election, repair or replace a fixture where Sterling inspection discloses any such defects occurring in normal usage within the time period of coverage stated above. Sterling is not responsible for installation costs where replacement is indicated. Damage due to improper installation or improper maintenance are not considered manufacturing defects and are not covered by this warranty.



2900 GOLF ROAD, ROLLING MEADOWS, ILLINOIS 60008

To obtain warranty service, contact Sterling either through your plumbing contractor, wholesaler or dealer, or by calling or writing Sterling Plumbing Group, Inc., Consumer Service Department, 2900 Golf Road, Rolling Meadows, IL 60008, (847) 734-1777, (800) 458-4565.

IMPLIED WARRANTIES INCLUDING THAT OF MERCHANTABILITY AND FITNESS FOR A PARTICULAR PURPOSE ARE EXPRESSLY LIMITED IN DURATION TO THE DURATION OF THIS WARRANTY. STERLING PLUMBING GROUP, INC., DISCLAIMS ANY RESPONSIBILITY FOR INCIDENTAL OR CONSEQUENTIAL DAMAGES. Some states do not allow limitations on how long an implied warranty lasts, or the exclusion or limitation of incidental or consequential damages, so this limitation and exclusion may not apply to you. This warranty gives you specific legal rights. You may have other rights which vary from state to state.

This is our exclusive written warranty.

Made in Mexico