

# STERLING®

A KOHLER COMPANY

ROCKTON™

## DUAL FORCE® LOW CONSUMPTION TOILET 402027



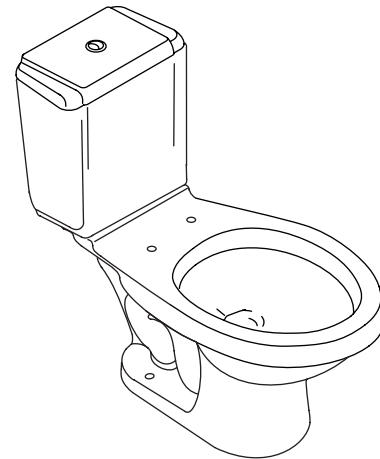
### Features

- Modern styling made of Grade A vitreous china
- One flush performance limited guarantee
- Elongated bowl
- Standard elongated seat - not supplied
- Seat post holes with 5-1/2" (14 cm) centers
- 5-year limited warranty
- Two-bolt installation system
- 1.6 gallons (6 L) of water per flush for solid waste and .8 gallons (3 L) of water per flush for liquid waste
- Dual Force® flushing system
- 2-1/2" (6.4 cm) glazed trapway
- 31" (78.7 cm) x 13-5/8" (34.6 cm) x 29-7/8" (75.9 cm) rough-in

### Codes/Standards Applicable

Specified model meets or exceeds the following:

- ASME A112.19.14
- CSA B45
- EPA WaterSense®



### Colors/Finishes

- 0: White
- Other: Refer to Price Book for additional colors/finishes

### Accessories

- NA: None applicable

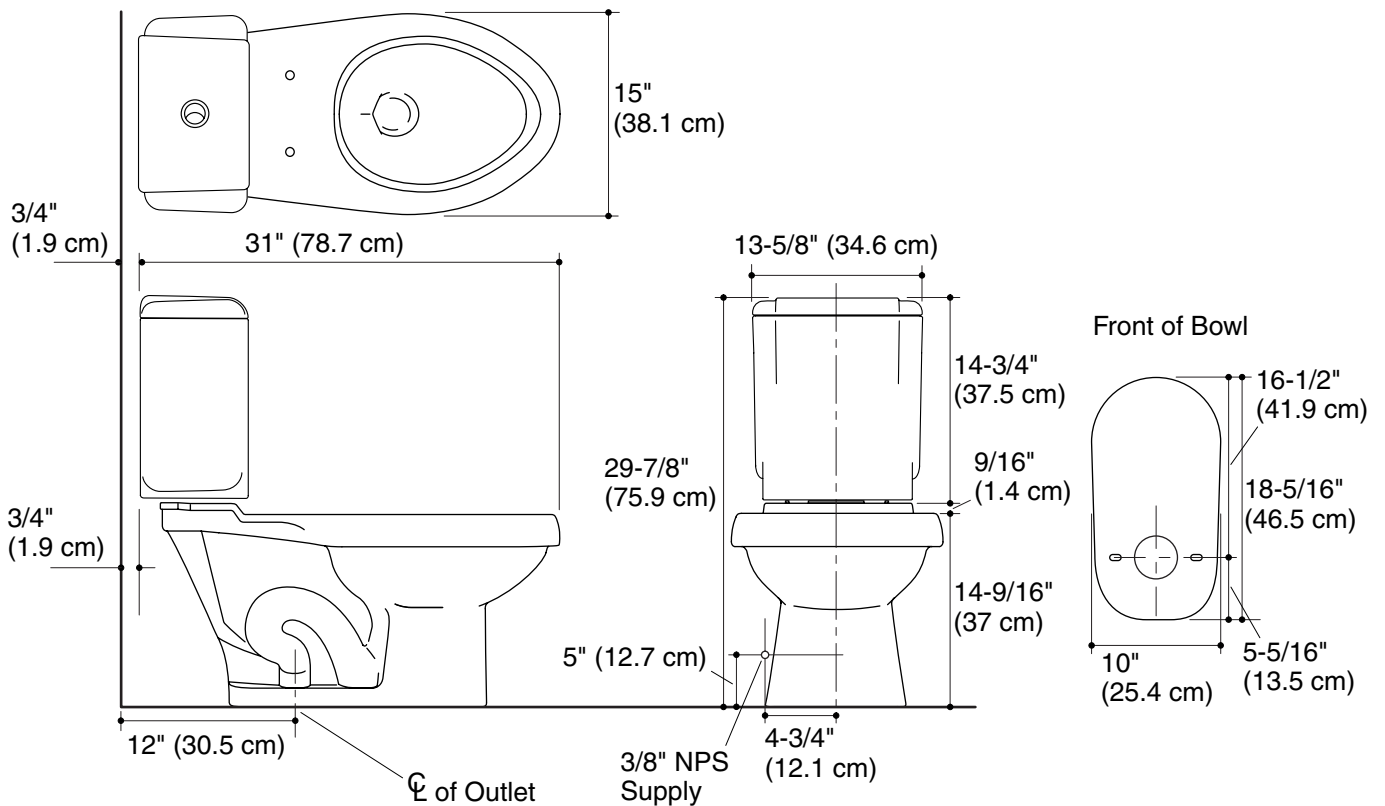
### Specified Model

Model	Description	Included tank	Included bowl	Colors/Finishes	
402027	Elongated front toilet, 12" (30.5 cm) rough-in	402022	402026	<input type="checkbox"/> 0	<input type="checkbox"/> Other_____

# ROCKTON™

## Technical Information

Fixture:	
Configuration	two-piece
Water per full flush	1.6 gallons (6 L)
Water per half flush	.8 gallons (3 L)
Passageway	2" (5.1 cm)
Water area	4-1/2" (11.4 cm) x 5-3/4" (14.6 cm)
Seat post hole centers	5-1/2" (14 cm)
Included Components:	
Tank accessory pack	1035430
Tank lid	1045794



## Product Diagram