

STERLING®

A KOHLER COMPANY

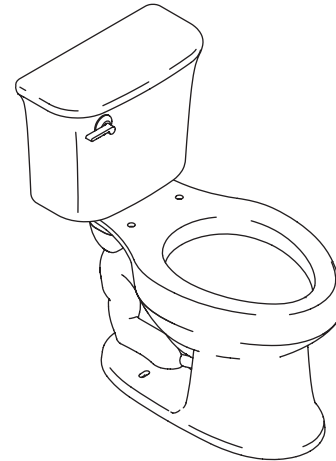
STINSON™

HET-HIGH EFFICIENCY TOILET 402076



Features

- Modern styling made of Grade A vitreous china
- Sterling Pro Force™ HET Flushing Technology
- One flush performance limited guarantee
- 5-year limited warranty
- Flushes efficiently regardless of incoming water pressure
- Three-bolt, quick-connect installation system
- Less seat and supply
- 12" (30.5 cm) rough-in
- 1.28 gpf (4.85 lpf)
- Metal trip lever handle
- Large 8" (20.3 cm) x 9" (22.9 cm) water surface and full 2" (5.1 cm) fully glazed trapway
- 29" (73.7 cm) x 17-7/16" (44.3 cm) x 28-3/8" (72.1 cm)



Codes/Standards Applicable

Specified model meets or exceeds the following:

- ASME A112.19.2/CSA B45.1
- EPA WaterSense®

Colors/Finishes

- 0: White
- Other: Refer to Price Book for additional colors/finishes

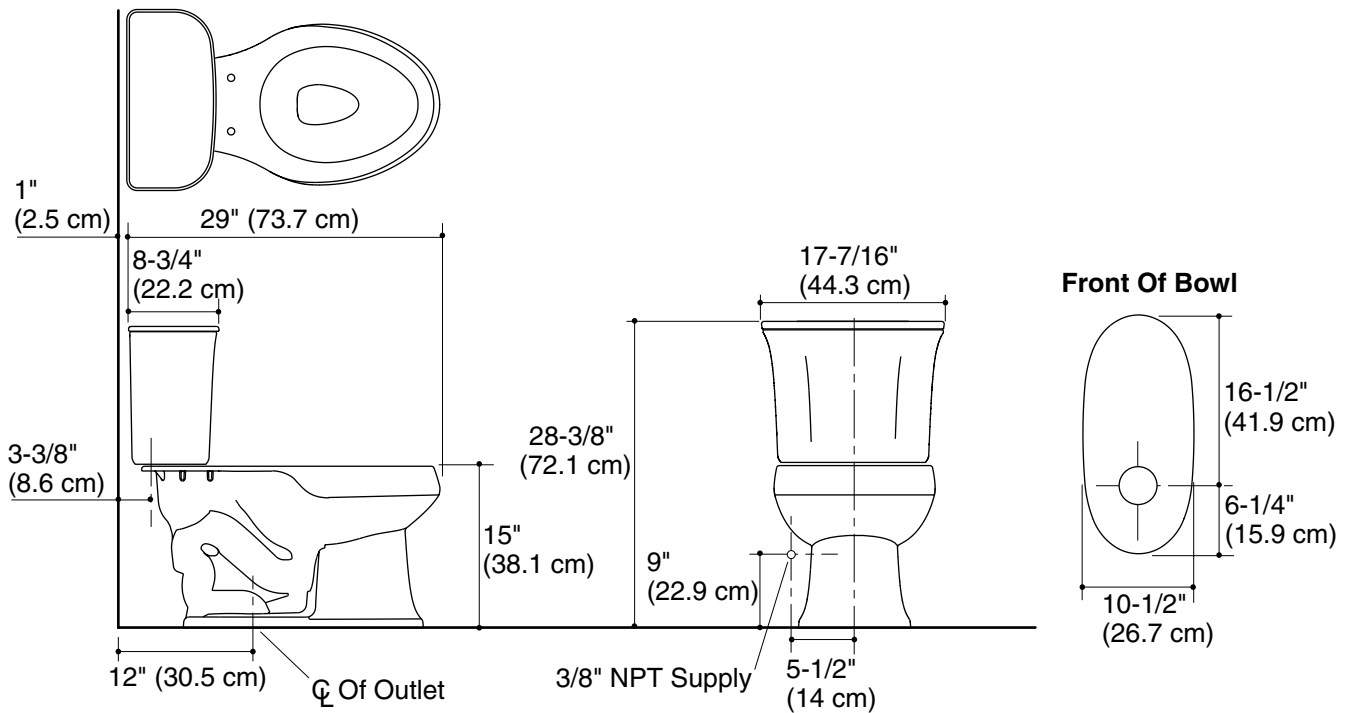
Specified Model

Model	Description	Included Tank	Included Bowl	Colors/Finishes	
402076	Toilet - 2-piece with elongated bowl	402091	403070	<input type="checkbox"/> 0	<input type="checkbox"/> Other_____

Technical Information

Fixture:	
Configuration	2-piece
Water per full flush	1.28 gal (4.8 L)
Passageway	2" (5.1 cm)
Water area	8" (20.3 cm) x 9" (22.9 cm)
Seat post hole centers	5-1/2" (14 cm)

Included components:	
Tank lid	1068490
Trip lever	1091081-CP



Product Diagram