

# STERLING®

A KOHLER COMPANY

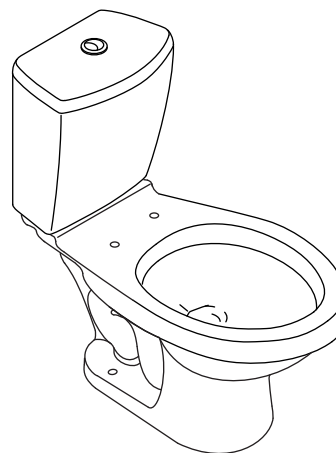
KARSTEN®

## DUAL FORCE® HET-HIGH EFFICIENCY TOILET 402028



### Features

- Vitreous china
- One flush cleansing performance
- Elongated bowl
- Standard elongated seat - not supplied
- 5-year limited warranty
- Two-bolt installation system
- 1.6 gallons (6 L) of water per flush for solid waste and .8 gallons (3 L) of water per flush for liquid waste
- 12" (305 mm) rough-in
- Dual Force flushing system
- 2-1/2" (64 mm) glazed trapway
- 31" (787 mm) x 14-1/4" (362 mm) x 29-1/4" (743 mm)



### Codes/Standards Applicable

Specified model meets or exceeds the following:

- ASME A112.19.2/CSA B45.1
- ASME A112.19.14
- EPA WaterSense®

### Colors/Finishes

- 0: White
- Other: Refer to Price Book for additional colors/finishes

### Accessories

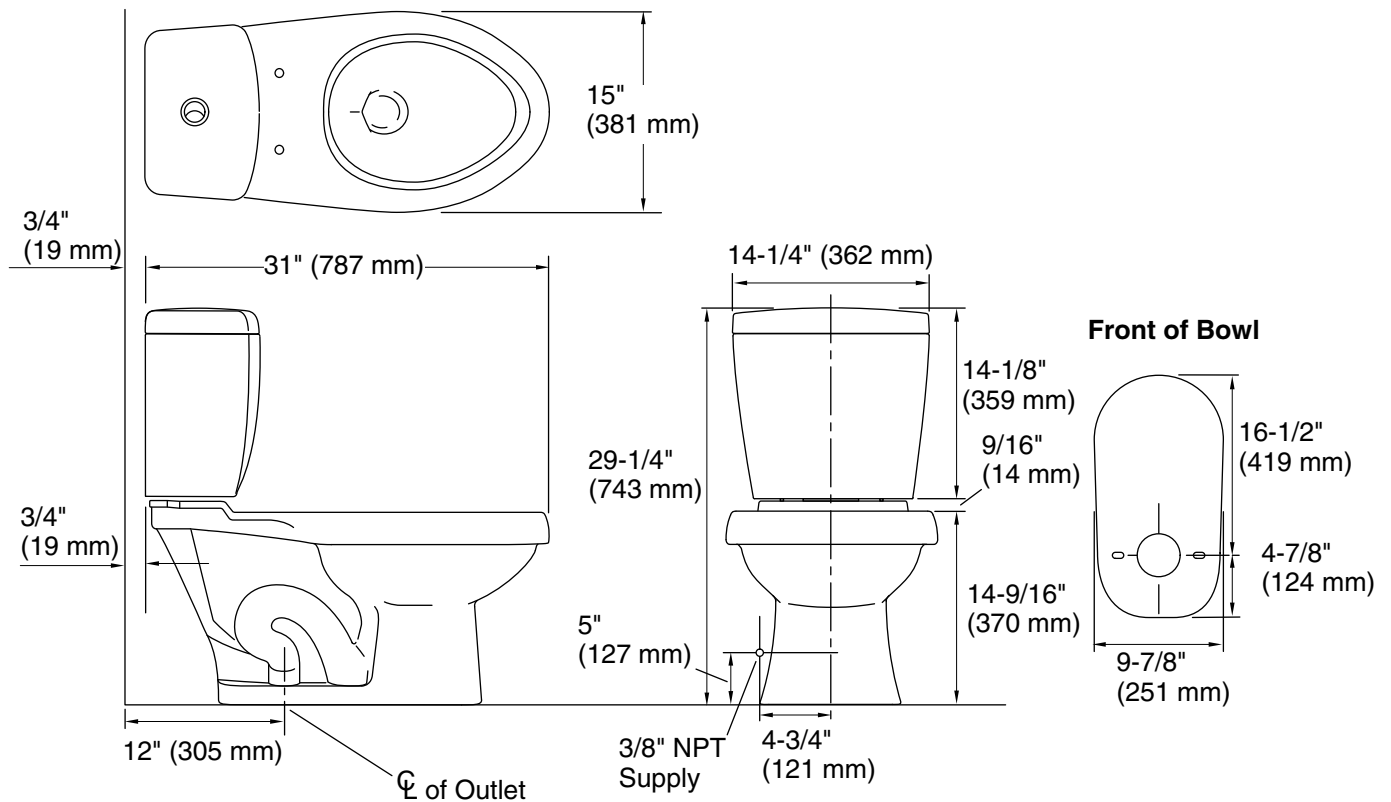
- NA: None applicable

### Specified Model

Model	Description	Included tank	Included bowl	Colors/Finishes	
402028	Dual Force HET-High Efficiency Toilet, elongated bowl	402023	402026	<input type="checkbox"/> 0	<input type="checkbox"/> Other _____

## Technical Information

Fixture:	
Configuration	2-piece
Water per full flush	1.6 gal (6 L)
Water per half flush	.8 gal (3 L)
Passageway	2" (51 mm)
Water area	4-1/2" (114 mm) x 5-3/4" (146 mm)
Seat post hole centers	5-1/2" (140 mm)
Included Components:	
Tank accessory pack	1035430
Tank lid	1040340



## Product Diagram