



Ensemble™

60" x 32" ED Shower w/ Backer Boards
72180116



Features

- Modular design allows it to be moved around corners and through doorways with ease.
- Durable high gloss finish.
- Convenient shelves provide generous storage space.
- Shaving ledge/foot rest for added comfort.
- Curve wall design for a smooth look and feel.
- Wall surround includes backer boards for future grab bar installation.
- End drain makes it perfect for replacing an existing bath without moving the drain location.

Material

- Compression molded from our exclusive Vikrell material.

Installation

- Tongue-and-groove four piece modular design allows for easy snap together installation
- Dry-Block seal and channeled water containment system create watertight seams
- 60" (1524 mm) x 32" (812 mm) x 74-1/4" (1892 mm) complete unit finished dimensions.

Components

Product includes:

- 72232106 60" x 72-1/2" Back Wall with Backer Boards
- 72181110 60" x 32" Shower Receptor
- 72185106 32" Shower End Wall Set w/ Backer Board



Codes/Standards



CSA B45.5/IAPMO Z124
ASTM E162
ASTM E662
Greenguard UL 2818 - Gold
HUD, UM Bulletin 73

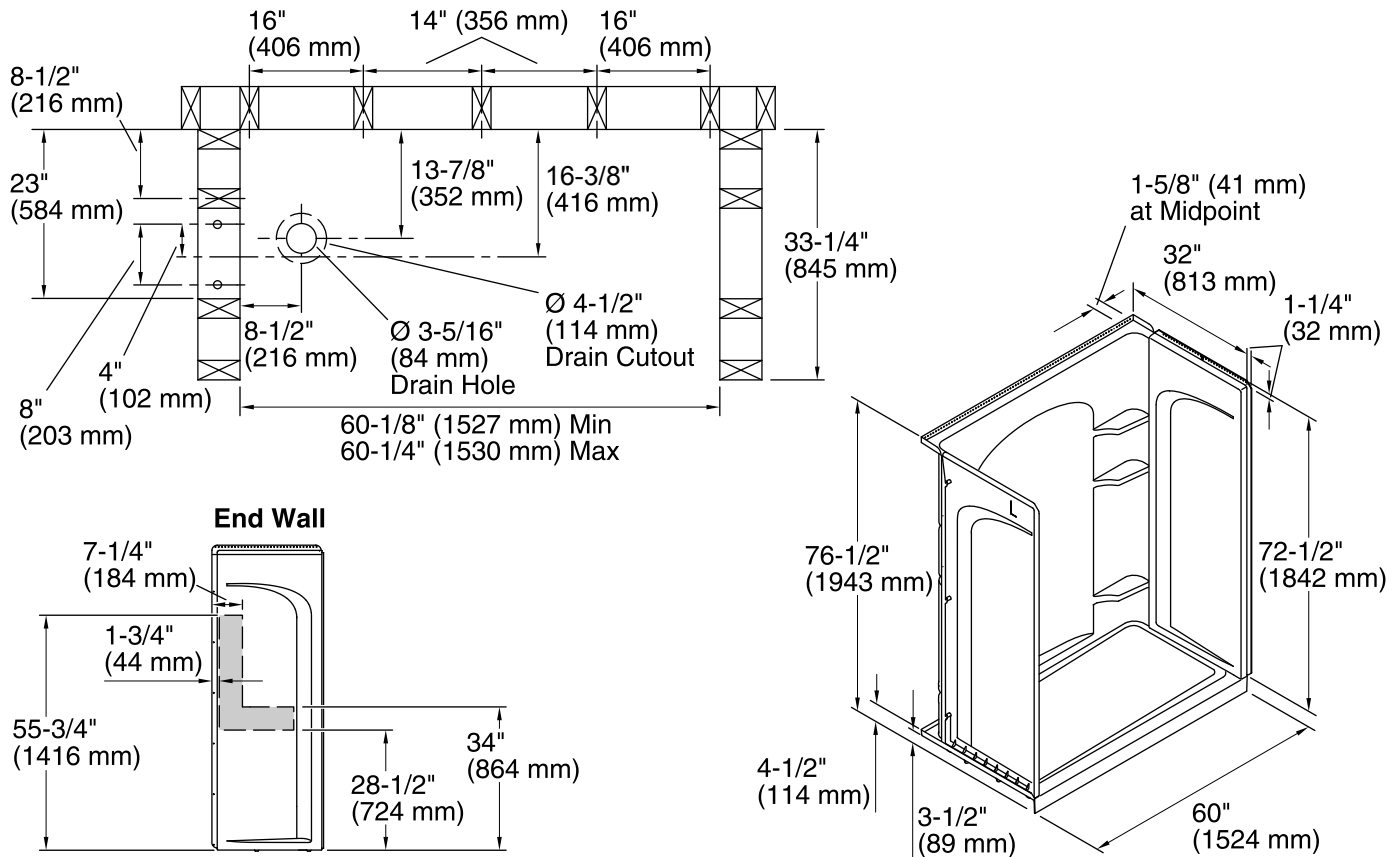
STERLING® Warranty - Fixtures Made of Solid Vikrell Material

See website for detailed warranty information.

Available Color/Finishes

Color tiles intended for reference only.

Color	Code	Description
	0	White
	96	Biscuit



Technical Information

All product dimensions are nominal.

Installation: 3-Wall Alcove

Drain location: Left

Weight: 125.4 lbs (56.9 kg)

Door height required: 70-1/2" (1791 mm)

Door width required: 56-5/8" (1438 mm)

Notes

Install this product according to the installation guide.

Double studding is recommended for pivot shower door installations.

Studs should be positioned roughly as shown.