

STERLING®

A KOHLER COMPANY

KITCHEN SINK 11723

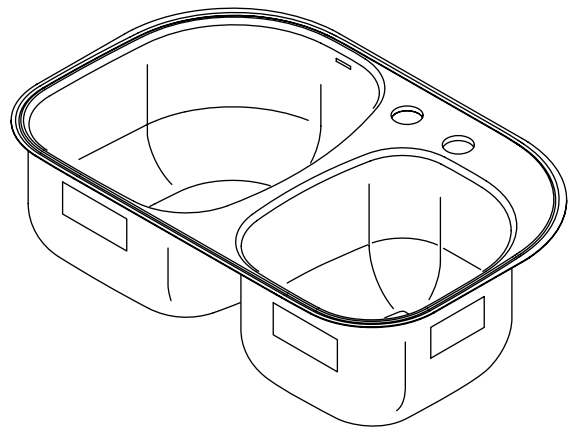
Features

- 18-gauge stainless steel
- One-piece steel construction, no center weld
- Undermount design
- Luster finish
- Available with or without integral faucet deck
- Offset bowls
- Includes SilentShield® sound-absorption technology
- 31-1/2" (80 cm) x 20-1/2" (51.2 cm) x 9-5/16" (23.7 cm)

Codes/Standards Applicable

Specified model meets or exceeds the following:

- ASME A112.19.3/CSA B45.4



Colors/Finishes

- NA: None applicable

Specified Model

| Model | Description | Faucet Holes | Colors/Finishes |
|---------|--|----------------------------|-----------------------------|
| 11723 | Kitchen sink without integral faucet deck | <input type="checkbox"/> 0 | <input type="checkbox"/> NA |
| 11723-1 | Kitchen sink with integral faucet deck | <input type="checkbox"/> 1 | <input type="checkbox"/> NA |
| 11723-2 | Kitchen sink with integral faucet deck (shown) | <input type="checkbox"/> 2 | <input type="checkbox"/> NA |

Technical Information

| Fixture*: | Large basin | Small basin |
|-------------|-------------------------------------|---|
| Basin area | 15-1/8" (38.4 cm) x 18-1/2" (47 cm) | 12-13/16" (32.5 cm) x 14-7/8" (37.8 cm) |
| Basin depth | 9-5/16" (23.7 cm) | 9-5/16" (23.7 cm) |
| Drain hole | 3-5/8" (9.2 cm) D. | 3-5/8" (9.2 cm) D. |
| Faucet hole | 1-3/8" (3.5 cm) D. | |

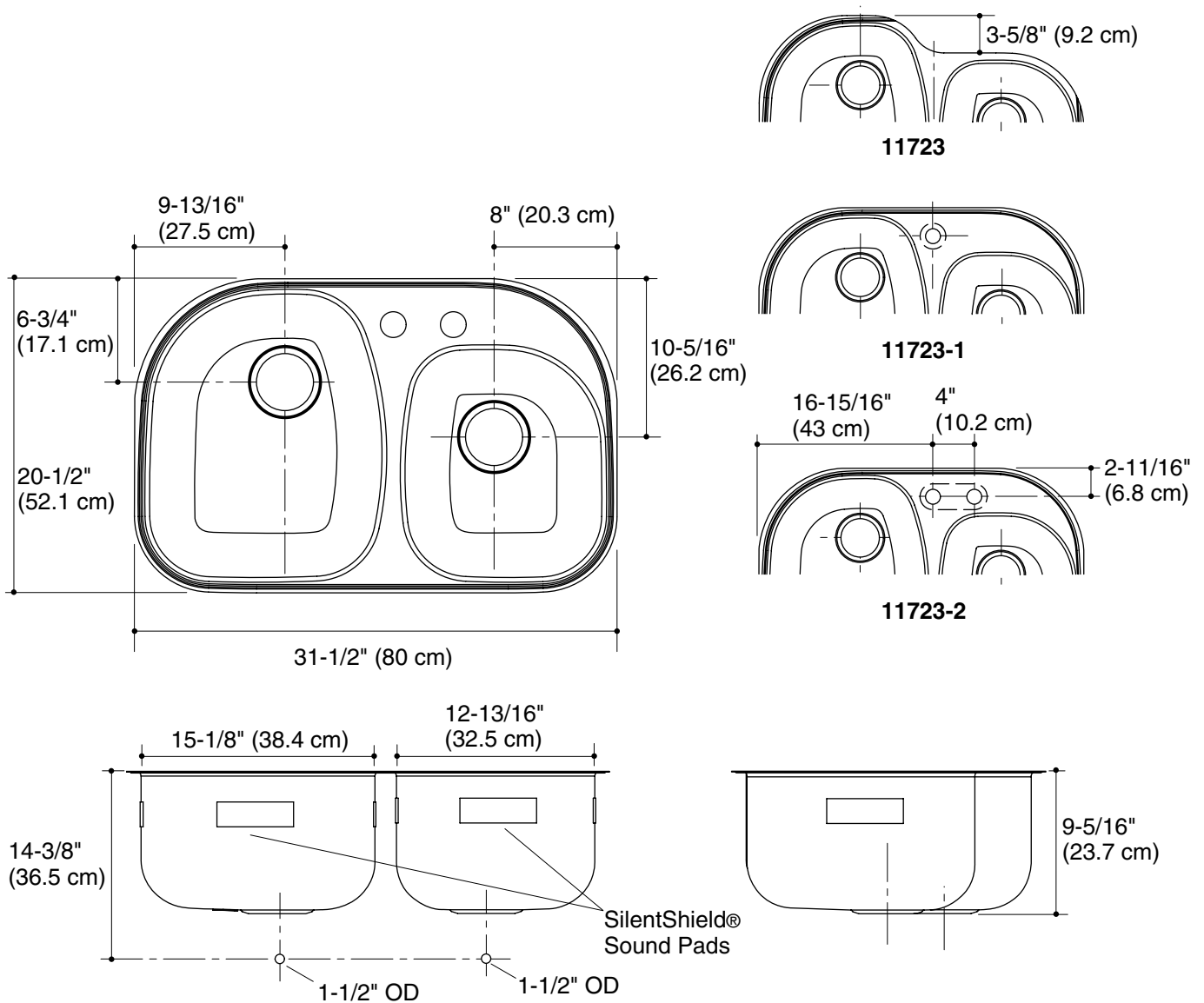
* Approximate measurements for comparison only.

Included components:

| | |
|------------------|-----------|
| Hardware kit | 91915 |
| Cut-out template | 1105667-7 |

Installation Notes

Install this product according to the installation guide.



Product Diagram