

# STERLING®

A KOHLER COMPANY

ENSEMBLE™

## Features

- Compression molded from our exclusive solid Vikrell® material
- Bath and integral apron eliminates installation step
- Durable high-gloss finish
- Tongue-and-groove 4-piece modular design allows for easy "snap together" installation
- Caulkless seam installation
- 10-year consumer/3-year commercial limited warranty
- 2" (51 mm) wainscot/tile ledge
- 16" (406 mm) bath depth (floor to top of threshold)
- 60-1/4" (1530 mm) x 31-1/4" (794 mm) x 74-1/4" (1886 mm) complete unit rough-in dimensions include flange
- 60" (1524 mm) x 30-1/8" (765 mm) x 73" (1854 mm) complete unit finished dimensions

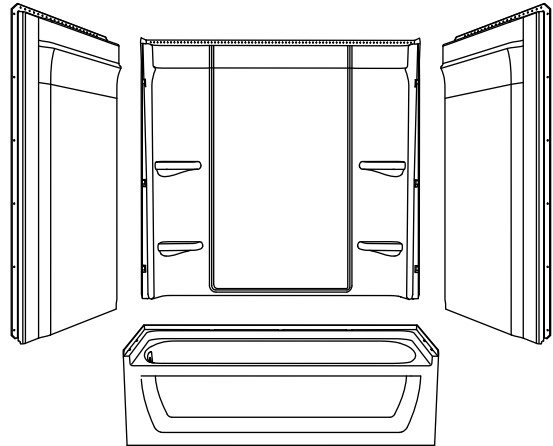
## 30" BATH AND WALL SURROUND

**71370110**

**ALSO 71370120**



MATERIAL STRENGTH.  
PROVEN PERFORMANCE...



## Codes/Standards Applicable

Specified model meets or exceeds the following:

- CSA B45.5/IAPMO Z124
- ASTM E162
- ASTM E662

## Colors/Finishes

- 0: White
- Other: Refer to Price Book for additional colors/finishes

## Specified Model

Model	Complete Unit Description	Colors/Finishes	
71370110	30" bath and wall surround, Medley™ wall, left drain (shown)	<input type="checkbox"/> 0	<input type="checkbox"/> Other_____
71370120	30" bath and wall surround, Medley™ wall, right drain	<input type="checkbox"/> 0	<input type="checkbox"/> Other_____

# ENSEMBLE™

## Technical Information

Fixture*:	
Bathing well:	
Basin area, bottom	45" (1143 mm) x 20" (508 mm)
Basin area, top	53" (1346 mm) x 23" (584 mm)
To overflow:	
Water depth	11-1/4" (286 mm)
Capacity	44 gal (166.6 L)
* Approximate measurements for comparison only.	

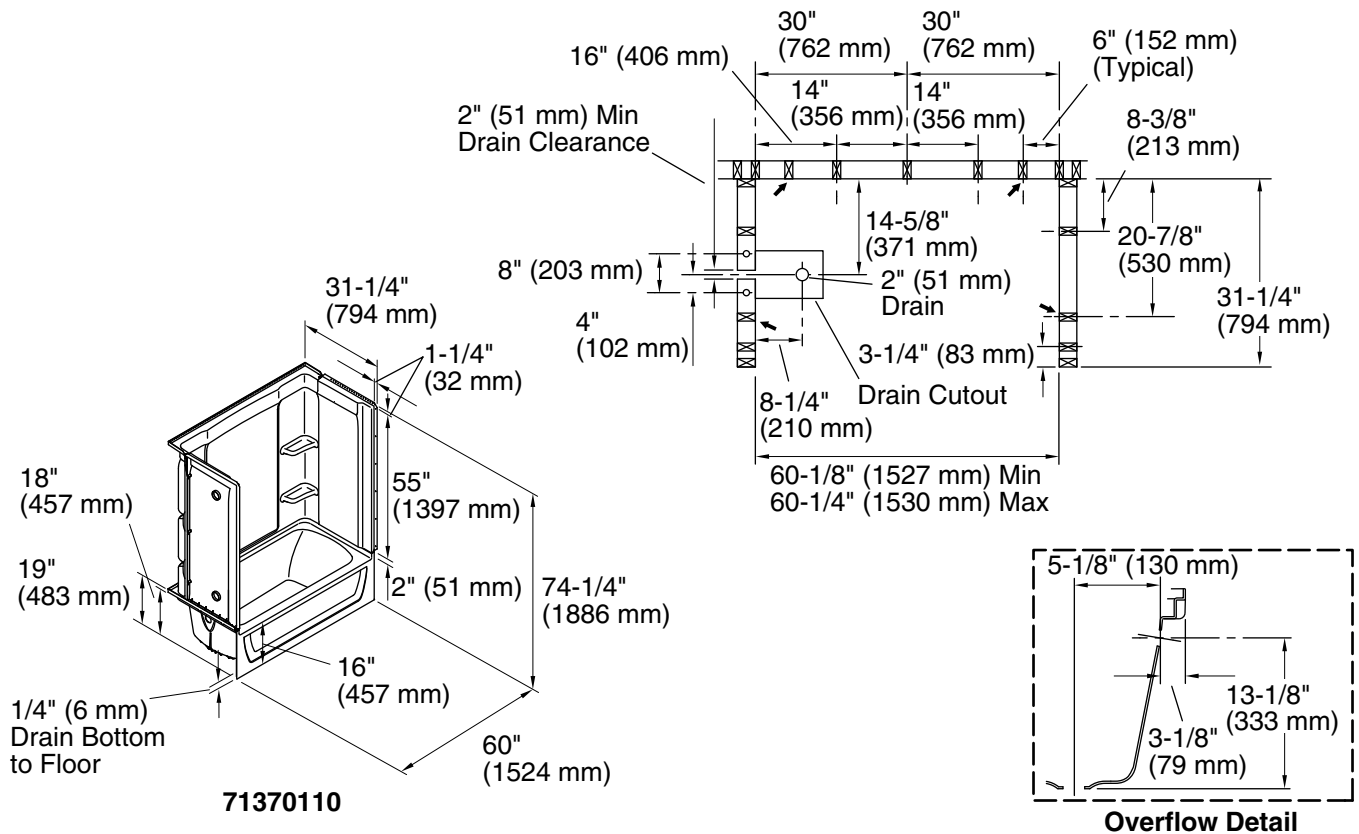
Model	door maximum width	door maximum height
71370110	57-11/16" (1465 mm)	56-3/4" (1441 mm)
71370120		

## Installation Notes

Install this product according to the installation guide.

Size the drain cutout to fit the drain assembly that will be used.

Studs should be positioned as shown.



## Product Diagram