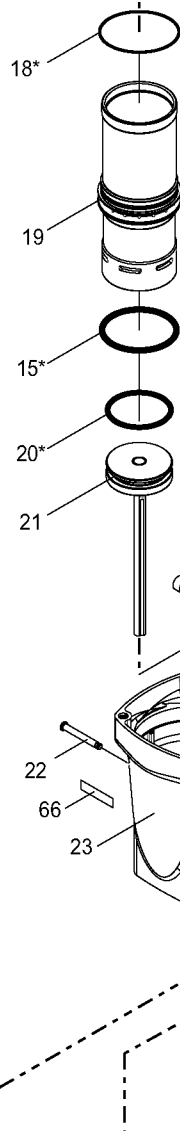
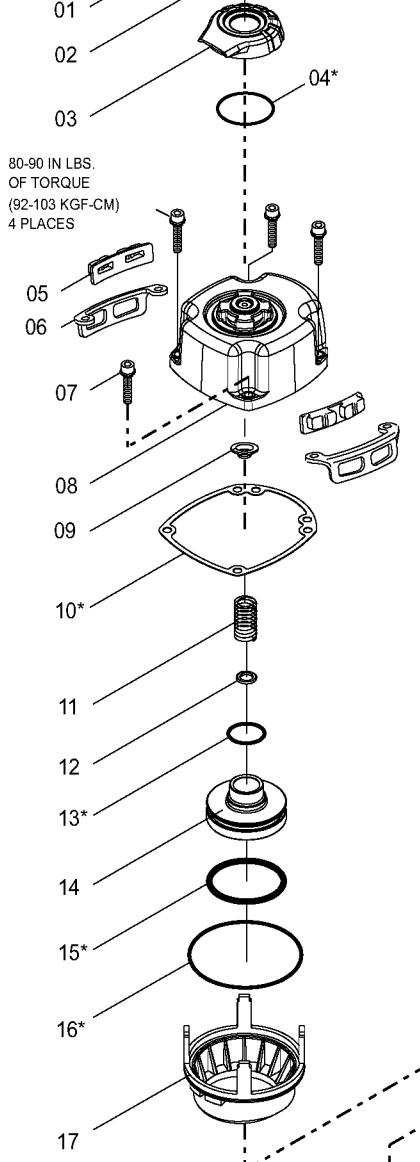
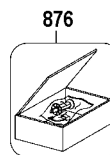


# METAL CONNECTOR NAILER CLAVADORA DE CONECTORES DE METAL CLOUEUSE À CONNECTEURS MÉTALLIQUES

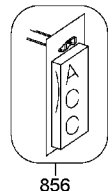
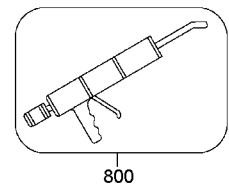
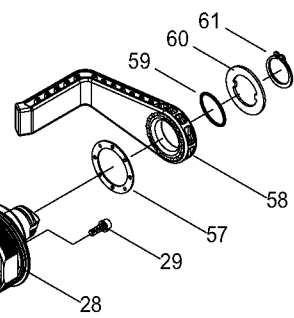
80-90 IN LBS.  
OF TORQUE  
(92-103 KGF-CM)  
4 PLACES



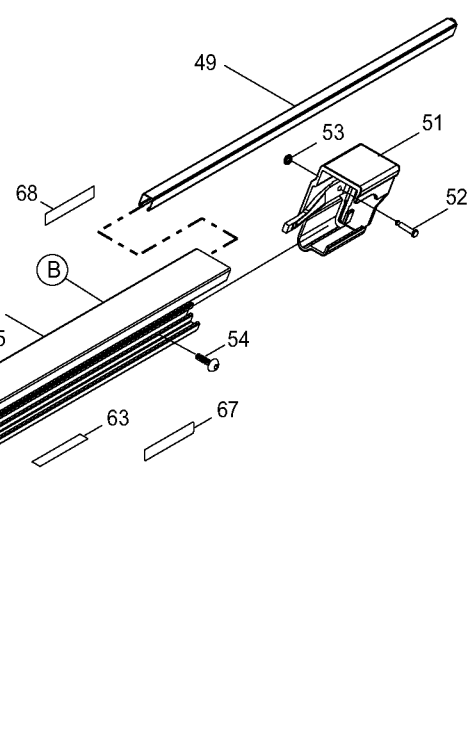
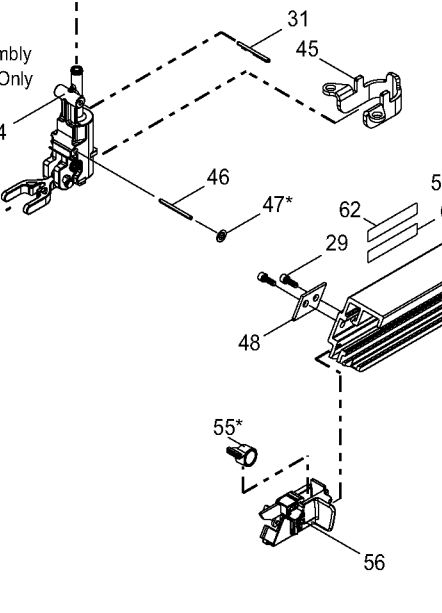
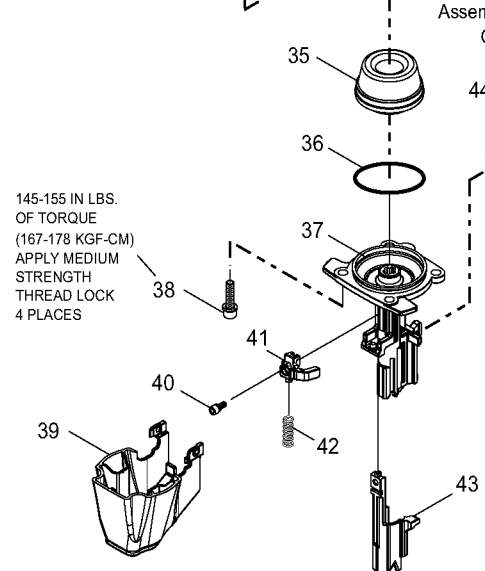
**REBUILD KIT MCN-RK**  
**INCLUDES ITEMS:**  
4, 10, 13, 15, 16, 18, 20,  
47, & 55.



\* Included in Rebuild kit



145-155 IN LBS.  
OF TORQUE  
(167-178 KGF-CM)  
APPLY MEDIUM  
STRENGTH  
THREAD LOCK  
4 PLACES



## Parts List for MCN150 Type 0

Item Number	Part Number	Description	Qty Required
1	174041	SCREW-SFHCS-M4X0.7X1	1
2	174042	SPACER-EXHAUST COVER	1
3	174043	COVER-EXHAUST	1
4	174044	O-RING-41.0MMX1.78MM	1
5	174045	PAD-RUBBER	2
6	174046	BRACKET-RUBBER PAD	2
7	174047	SCREW-SHCS-M5X0.8X25	4
8	174048	ASSEMBLY-DEFLECTOR	1
9	174049	SEAL-DEFLECTOR	1
10	174050	GASKET-FRAME/DEFLECT	1
11	174051	SPRING-COMPRESSION	1
12	174052	WASHER-SPECIAL	1
13	174053	O-RING-20.8MMX2.4MM	1
14	174054	PISTON-HEAD VALVE	1
15	174055	O-RING-44.7MMX3.5MM	2
16	174056	O-RING-66.5MMX2.0MM	1
17	174057	COLLAR-CYLINDER SLEE	1
18	174058	O-RING-45.5MMX2.0MM	1
19	174059	SLEEVE-CYLINDER	1
20	174060	O-RING-36.0MMX4.0MM	1
21	174061	ASSEMBLY-DRIVER/PIST	1
22	174062	STEPPED PIN	1
23	174063	ASSEMBLY-FRAME	1
24	174064	SCREW-SHCS-M5X0.8X18	1
25	174065	NUT-NYLON LOCK-M5X0.	2
26	174066	BRACKET-END CAP	1
27	850242	O-RING-1.799X.103	1

COPYRIGHT© 2005. All Rights Reserved.

Parts list, pricing, and availability subject to change. Please visit [www.dewaltservicenet.com](http://www.dewaltservicenet.com) for current parts information.

## Parts List for MCN150 Type 0

Item Number	Part Number	Description	Qty Required
28	175561	CAP-END	1
29	174069	SCREW-SHCS-M4X0.7X10	3
30	174070	PIN-SPRING-M3X22MM	1
31	100298	PIN-SPIRAL M3X30	2
32	174072	ASSEMBLY-TRIGGER	1
33	174073	O-RING	1
34	TVA14	KIT-TRIGGER VALVE	1
35	174075	BUMPER-PISTON STOP	1
36	851483-S	O-RING	1
37	174077	ASSEMBLY-NOSE	1
38	174078	SCREW-SHCS-M6X1.0X25	4
39	174079	COVER-NOSE	1
40	174080	SCREW-SHCS-M4X0.7X8	1
41	174081	FOLLOWER-MOVABLE NOS	1
42	174082	SPRING-COMPRESSION	1
43	174083	NOSE-MOVABLE	1
44	174084	ASSEMBLY-CT HOUSING	1
45	174085	BRACKET-CT HOUSING	1
46	174086	PIN-SPRING-M3X45MM	1
47	174087	FIXED PLUG	1
48	174088	SPACER-MAGAZINE	1
49	174089	LINER-NAIL GUIDE	1
50	174090	MAGAZINE	1
51	174091	COVER-MAGAZINE	1
52	174092	PIN-SPECIAL	1
53	174093	WASHER-SPECIAL	1
54	174094	SCREW-SBHCS-M5X0.8X1	1

COPYRIGHT© 2005. All Rights Reserved.

Parts list, pricing, and availability subject to change. Please visit [www.dewaltservicenet.com](http://www.dewaltservicenet.com) for current parts information.

## Parts List for MCN150 Type 0

Item Number	Part Number	Description	Qty Required
55	174095	ASSEMBLY-PUSHER SPRI	1
56	174096	ASSEMBLY-PUSHER	1
57	175582	SEAT PLATE-HOOK	1
58	175583	HOOK	1
59	175557	O-RING-21.9MMX2.62MM	1
60	175585	CAP-HOOK	1
61	175586	RING-RETAINING	1
62	159922	LABEL-WARNING-SB TOO	1
63	171498	LABEL-WARNING-MCN150	1
64	175638	LABEL-STRAP SHOT	1
65	171499	LABEL-PRODUCT-MCN150	1
66	171500	LABEL-TOOL-MCN150	1
67	175429	LABEL-USE ONLY BOSTI	1
68	177780	LABEL-WARNING	1
800	100653	LUBE (2CC)	1
800	100679	LUBE (1LB.CAN)	1
876	MCN-RK	REBUILD KIT: MCN150	1
876	175488	LONG MAGAZINE KIT-MC	1

COPYRIGHT© 2005. All Rights Reserved.

Parts list, pricing, and availability subject to change. Please visit [www.dewaltservicenetwork.com](http://www.dewaltservicenetwork.com) for current parts information.