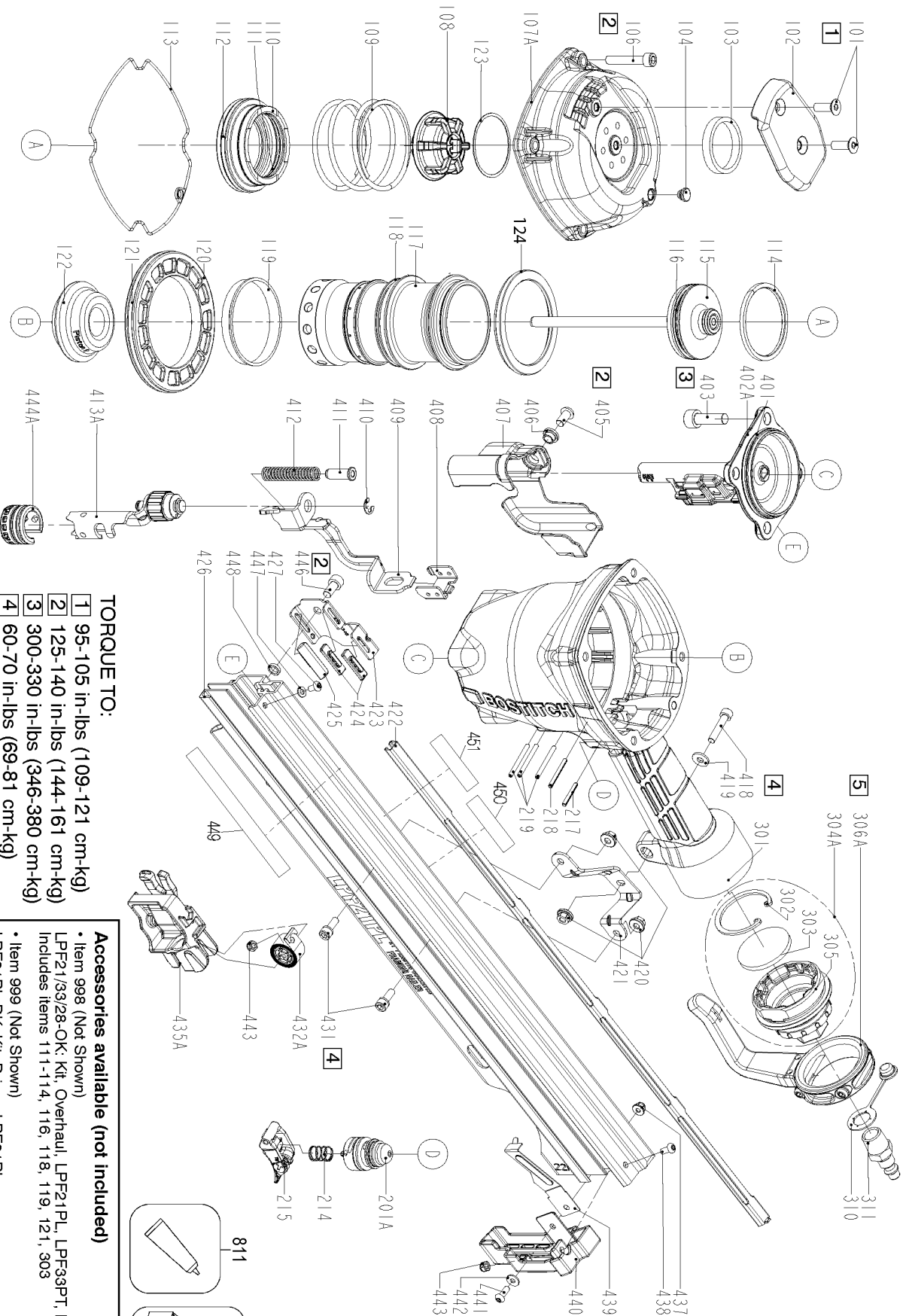


LPF21PL

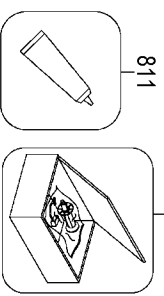
PNEUMATIC STICK NAILER
 CLAVADORA NEUMÁTICA ALIMENTADA POR BARRA
 CLOUEUR PNEUMATIQUE EN BANDES



- TORQUE TO:**
- 1 95-105 in-lbs (109-121 cm·kg)
 - 2 125-140 in-lbs (144-161 cm·kg)
 - 3 300-330 in-lbs (346-380 cm·kg)
 - 4 60-70 in-lbs (69-81 cm·kg)
 - 5 330-350 in-lbs (380-403 cm·kg)

Accessories available (not included)

- Item 998 (Not Shown)
 LPF21/33/28-OK: Kit, Overhaul, LPF21PL, LPF33PT, LPF28WW
 Includes items 111-114, 116, 118, 119, 121, 303
- Item 999 (Not Shown)
 LPF21PL-DK: Kit, Driver, LPF21PL
 Includes items 113-116



Parts List for LPF21PL Type 0

Item Number	Part Number	Description	Qty Required
101	9R189698	SCREW	2
102	9R189681	DEFLECTOR	1
103	9R189682	MUFFLER	1
104	1135S-0350001	GROMMET	1
106	MSC6100-35	SCREW-SHCS-M6X1.00X3	4
107	9R189683	CAP ASSY.	1
108	9R189685	PISTON STOP	1
109	9R189686	COMPRESSION SPRING	1
110	9R189687	HEAD VALVE PISTON	1
111	9R189706	O-RING	1
112	9R189688	O-RING	1
113	9R189689	CAP SEAL	1
114	9R189690	PISTON RING	1
115	9R189691	PISTON DRIVER ASSY.	1
116	850242	O-RING-1.799X.103	1
117	9R189692	CYLINDER	1
118	9R189693	O-RING	1
119	9R189694	CHECK SEAL	1
120	9R189695	CYLINDER RING	1
121	9R189696	O-RING	1
122	9R189697	BUMPER	1
123	9R189698	PISTON STOP RING	1
124	9R189701	CYLINDER RETAINER	1
201	TVA6	KIT-TRIGGER VALVE	1
214	9R189902	SPRING	1
215	9R189916	TRIGGER UNIT	1
217	174303	PIN-COILED-M3X22	1

COPYRIGHT© 2005. All Rights Reserved.

Parts list, pricing, and availability subject to change. Please visit www.dewaltservicenet.com for current parts information.

Parts List for LPF21PL Type 0

Item Number	Part Number	Description	Qty Required
218	174345	PIN SPRING	1
219	106058	PIN-SPRING-M3X32	1
301	9R189703	FRAME	1
302	9R189704	RETAINING RING	1
303	9R189705	FILTER	1
304	9R189707	END CAP ASSY	1
305	MRG044331	O-RING-1.748X.122	1
306	9R189708	HOOK	1
310	166054	CAP-QUICK CONNECTOR	1
401	9R189709	O-RING	1
402	9R189710	NOSE ASSEMBLY	1
403	9R189711	SCREW	1
405	MSB6100-12	SCREW-SBHCS-M6X1.00X	1
406	9R189712	BUSHING	1
407	9R189713	COVER-CONTACT ARM	1
408	9R189714	CONTACT ARM GUIDE	1
409	9R189715	UPPER CONTACT ARM	1
410	9R189716	RETAINING RING	1
411	9R189717	BUSHING	1
412	9R189718	COMPRESSION SPRING	1
413	9R189719	CONTACT ARM ASSY.	1
418	9R189720	SCREW	1
419	9R189939	FLAT WASHER	1
420	MHE5080-100	NUT-NYLON M5X.80	3
421	9R189722	MAGAZINE BRACKET	1
422	9R189723	LINER	1
423	9R189724	ISOLATING BRACKET	1

COPYRIGHT© 2005. All Rights Reserved.

Parts list, pricing, and availability subject to change. Please visit www.dewaltservicenet.com for current parts information.

Parts List for LPF21PL Type 0

Item Number	Part Number	Description	Qty Required
424	9R189725	RUBBER PAD	2
425	9R189726	RUBBER PAD	1
426	9R189727	MAGAZINE	1
427	9R189684	SCREW	1
431	MSC5080-16	SCREW-SHCS-M5X0.80X1	2
432	9R189730	PUSHER SPRING	1
435	9R189728	PUSHER ASSEMBLY	1
437	9R189731	FLANGE NUT	1
438	MSB4070-10	SCREW-SBHCS-M4X0.70X	1
439	9R189732	NAIL STOP PLATE	1
440	9R189733	MAGAZINE CAP	1
441	9R189734	SCREW	1
442	MPW4	WASHER-PWN-M4	1
443	MHE4070-100	ELASTIC STOP NUT-M4	1
444	9R189735	FOOT	1
446	MSC6100-12	SCREW-SHCS-M6X1.00X1	1
447	MPW4	WASHER-PWN-M4	1
448	9R189729	SPECIAL WASHER	1
449	9R189679	LABEL	1
450	180582	LABEL-WARNING	1
451	180296	LABEL-WARNING	1
811	851385	LOCTITE	1
876	LPF-RK	REBUILD KIT	1
998	LPF21/33/28-OK	OVERHAUL KIT	1
999	LPF21PL-DK	DRIVER KIT	1

COPYRIGHT© 2005. All Rights Reserved.

Parts list, pricing, and availability subject to change. Please visit www.dewaltservicenetwork.com for current parts information.