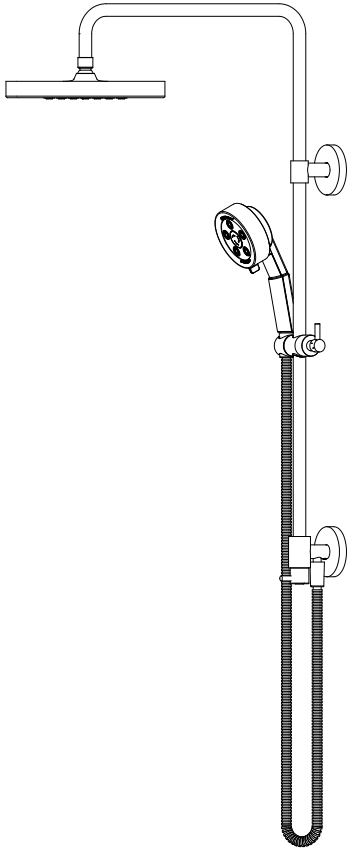


Instructions for Models:

SWS-1003
SWS-1007



Need Help?

For additional assistance or service call:

SPEAKMAN Company
400 Anchor Mill Road
New Castle, DE 19720

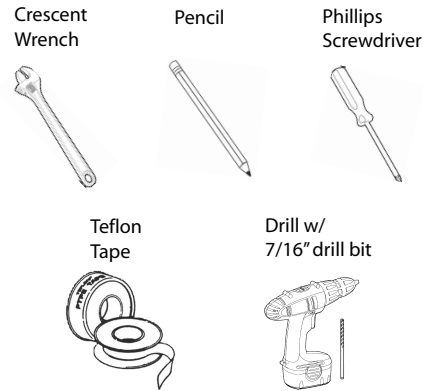
PHONE: 800-537-2107
EMAIL: customerservice@speakmancompany.com
WEB: www.speakmancompany.com

92-SWS-1003-R4

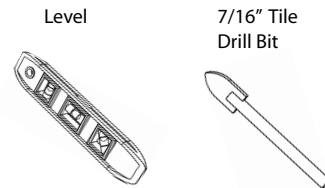
What You Need To Know:

Tools:

Required:



Helpful:



Important Notes:

Be sure to read instructions thoroughly before beginning installation. Do not overtighten any connections or damage may occur.

Notice: Upper and Lower Flange should be mounted on the same vertical plane.

Safety Tips:

Cover your drain to prevent loss of parts.

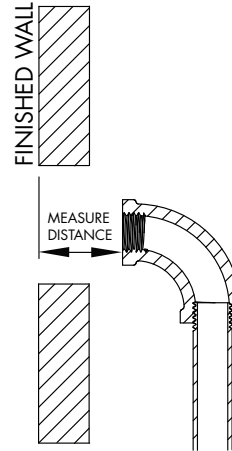
Maintenance:

Keep the Water Slide Bar looking new by cleaning it periodically with a soft cloth. Avoid abrasive cleaners, steel wool, and harsh chemicals as these will dull the finish and void your warranty. The filter can be cleaned by removing the upper end body cap, then unscrewing the center screw with o-ring and the filter cap (slotted). The filter can be cleaned and then replaced in the opposite order.

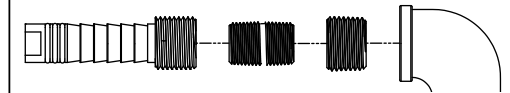
1

Turn off water supply. Remove existing shower arm and measure the distance between the elbow and the finished wall. See chart below. After applying Teflon tape, install required components.

Distance	Required Components	
1/4" - 1"	Included Nipple	Supplied
1" - 2"	Included Nipple 1/2"-14 NPT to 3/8"-18 NPT Face Bushing Adapter 1" Long 3/8"-18 NPT Nipple	Supplied Not Supplied Not Supplied
2" - 3"	Included Nipple 1/2"-14 NPT to 3/8"-18 NPT Face Bushing Adapter 2" Long 3/8"-18 NPT Nipple	Supplied Not Supplied Not Supplied

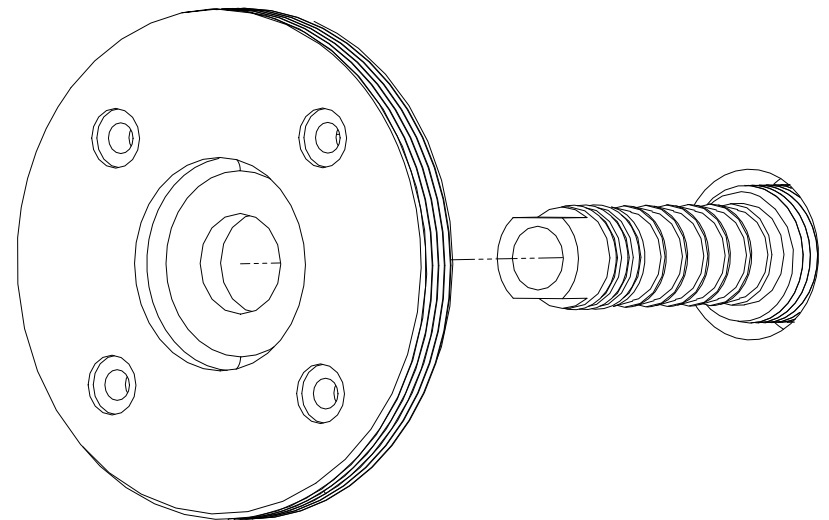


1" - 3" Depth Installation Exploded View



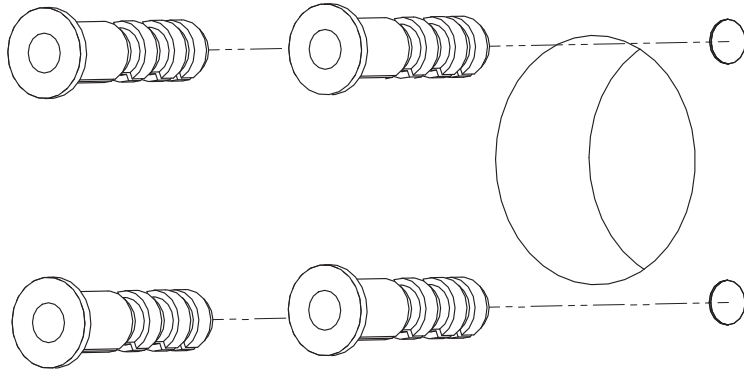
2

Slide the threaded upper flange over the supply nipple and mark the (4) holes on the wall. Note the orientation of the holes, which locates drill holes away from supply pipes in the wall.



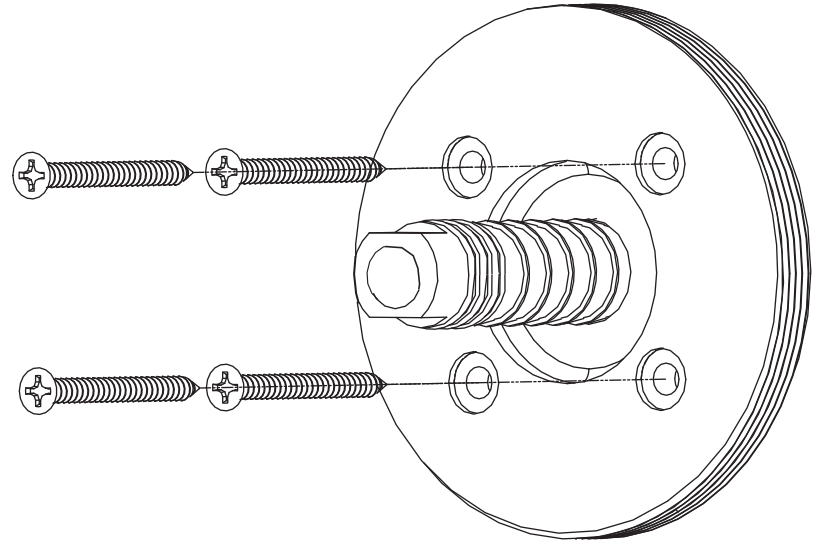
3

After removing the supply nipple and upper flange, drill the (4) 1/4" holes and insert (4) wall anchors. **Note: Before drilling, ensure there is no plumbing or electrical wiring behind your marks.**



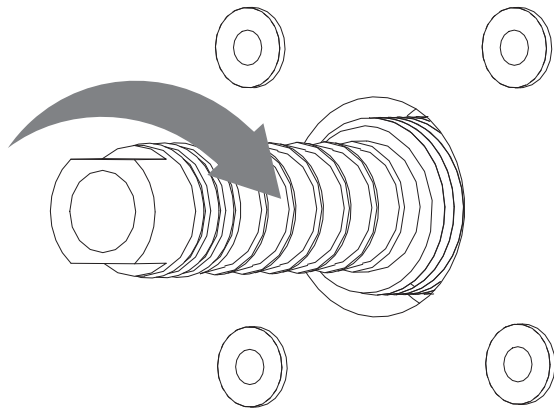
5

Reinstall the mounting flange and tighten with (4) screws into the wall anchors.



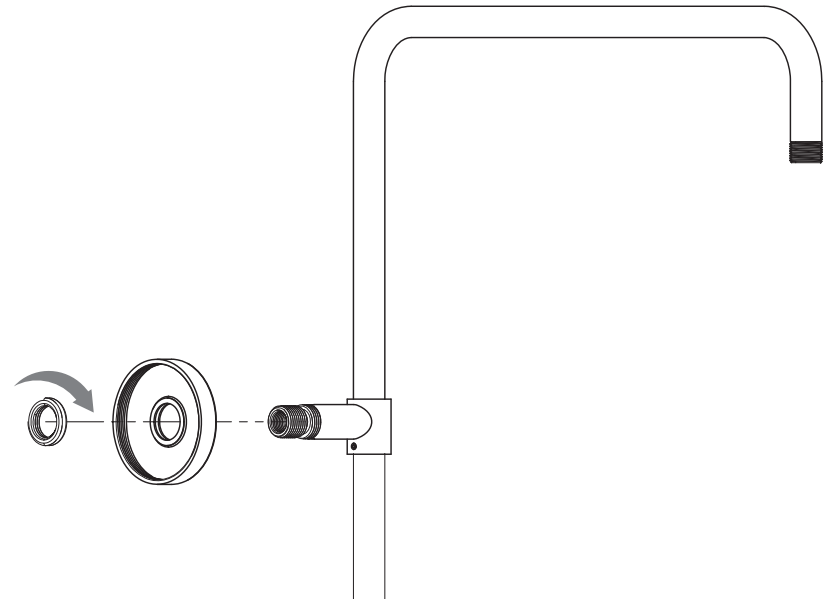
4

Reinstall the supply nipple. Use Teflon tape on the threading and tighten with a wrench. Use caution to not damage the (3) o-rings on the supply nipple.



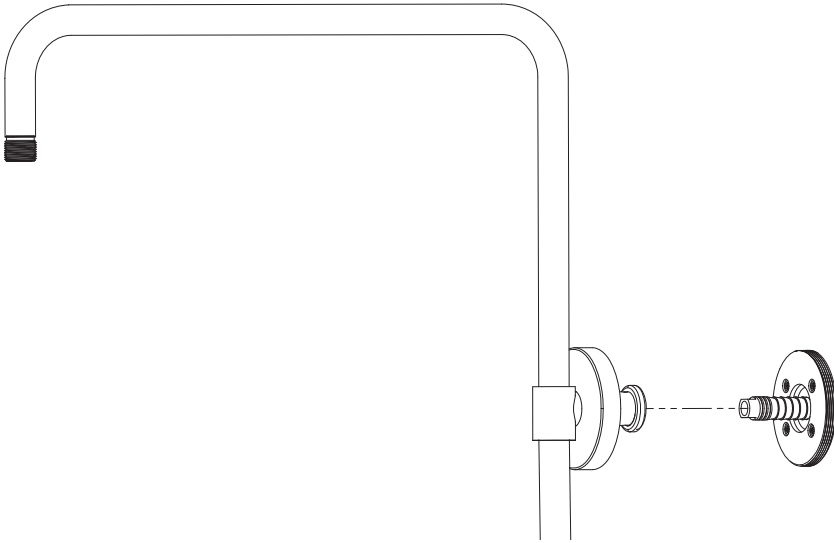
6

Slide upper flange cover (with o-ring) over Slide Bar supply tube and secure the nut over its thread. Teflon tape is optional for this step.



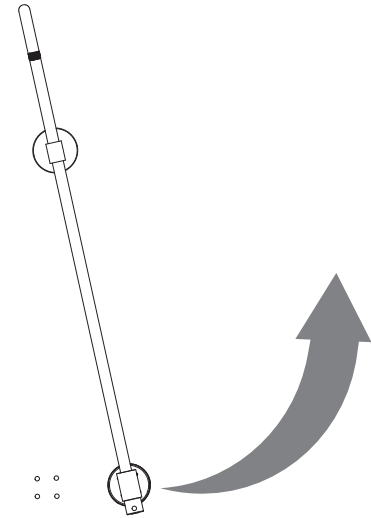
7

Push the Slide Bar assembly over the supply nipple on the wall. Use silicone grease for the (3) o-rings on the supply nipple. Do not tighten the (2) set screws, nor screw on the flange cover at this point.



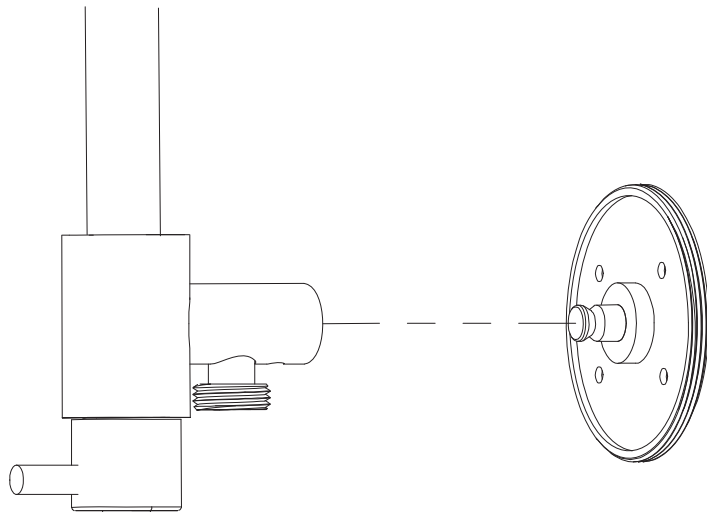
9

Using a level, make sure the Slide Bar is vertical. Mark the (4) holes on the wall. Rotate the Slide Bar assembly out of the way to drill the (4) holes and insert the wall anchors. **Note: Before drilling, ensure there is no plumbing or electrical wiring behind your marks.**



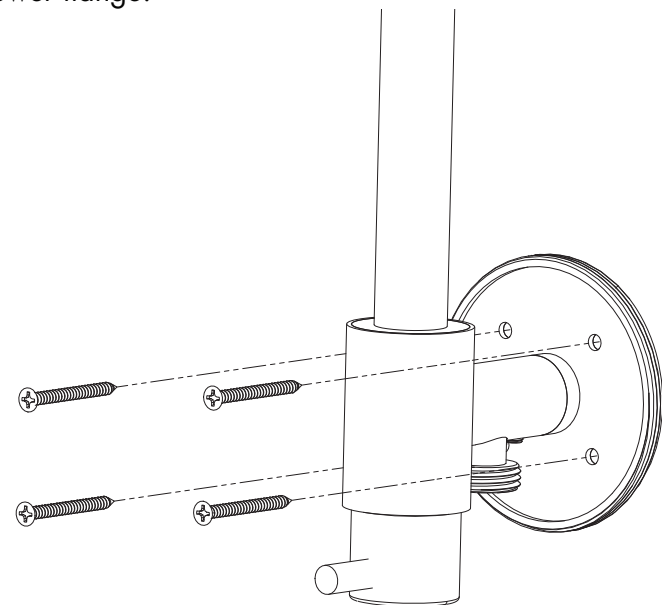
8

Slide the lower flange into the the lower tube of the Slide Bar.



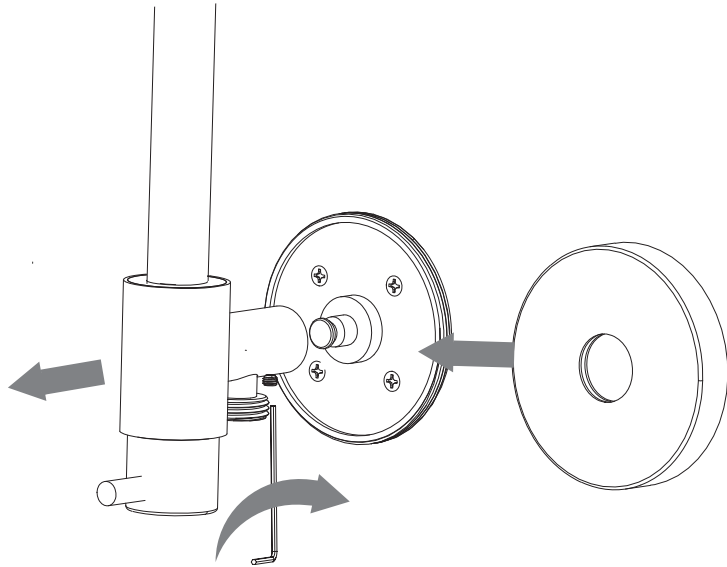
10

Rotate the Slide Bar back over the holes and tighten the screws in the lower flange.



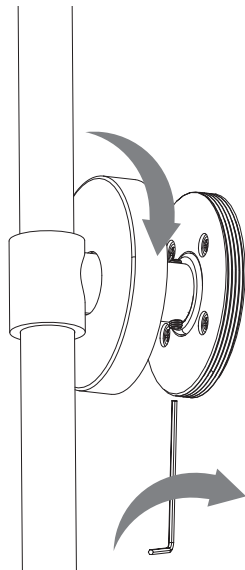
11

Pull the Slide Bar away from the lower flange enough to get the lower cover over the lower mount. Tighten the lower cover to the flange followed by tightening the set screw at the bottom.

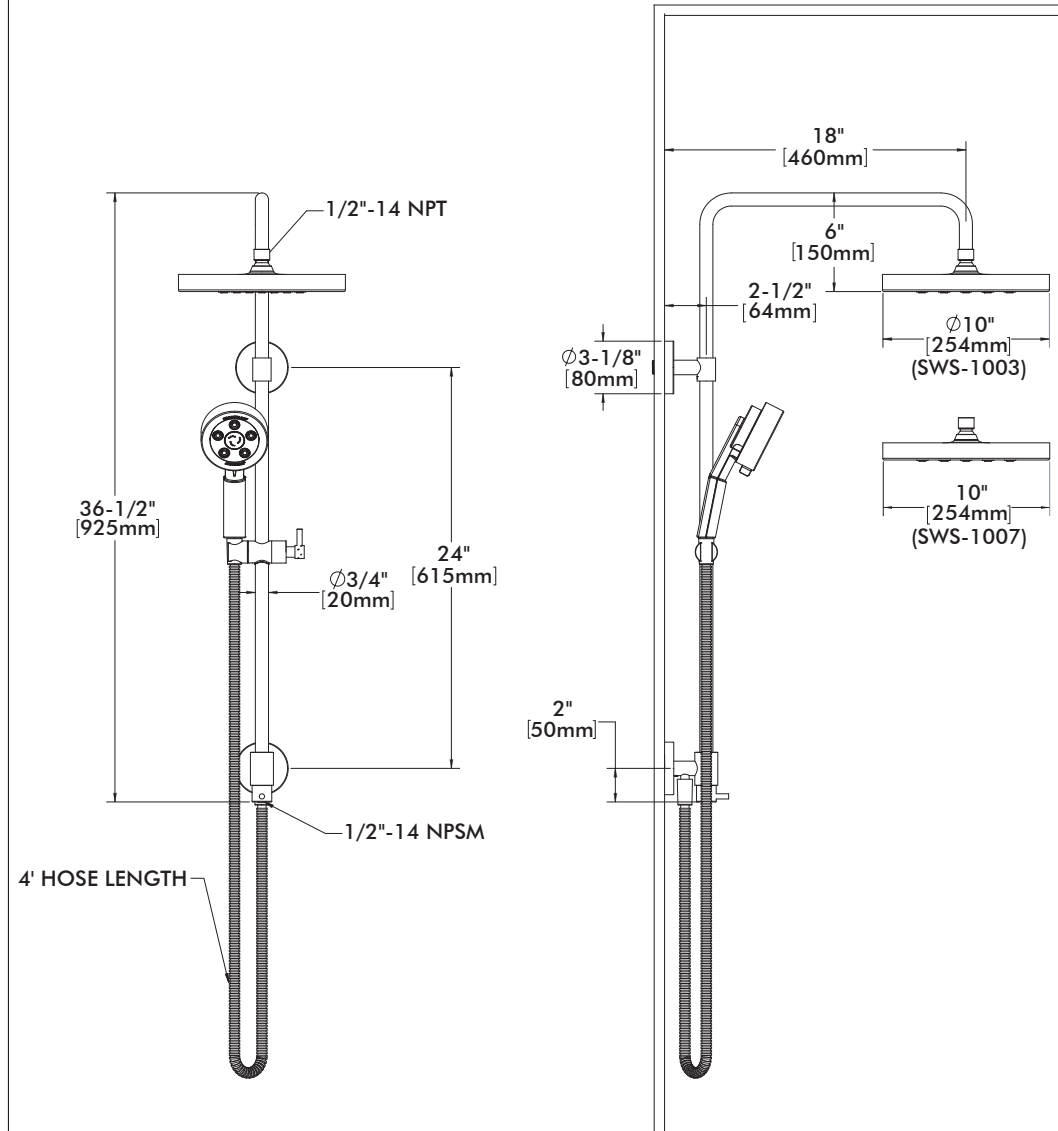


12

Tighten the (2) set screws on the upper mount, then the upper flange cover can be tightened over the flange on the wall. Refer to the instruction manuals included with the rain shower and hand shower to complete installation of the Slide Bar.



ROUGH-IN



REPAIR PART GROUPS

RPG49-0008 - HARDWARE REPAIR PARTS GROUP
RPG20-2023 - CARTRIDGE REPAIR PARTS GROUP