

SPEAKMAN®

SM-10410-P

Installation, Maintenance & Operation Instructions

CHELSEA™ COLLECTION COMBINATION SERIES

DESCRIPTION

Speakman Chelsea™ Collection Combination Series unites the best products included in our Chelsea™ Series. The combination begins with our anti-scald balanced pressure valve with integral volume control and stops, featuring a brass body and adjustable temperature limit stop. Piston type pressure balancing/ceramic regulating cartridge assembly with built-in check valves. Meets ASME A112.18.1 / CSA B125.1 & ASSE 1016 standards. The wall plate, handle, and diverter handle are designed with definitive Chelsea™ Collection styling. Also provided is the S-2500 brass 7" shower arm with metal wall flange. The featured product in the Chelsea™ Collection Combination Series is the ANYSTREAM® S-3011 shower head with a 4-1/2" outer diameter face. Five self-cleaning plunger nozzles resist scale build-up and provide 50 spray streams for a full body coverage pattern. The center core nozzle delivers 12 massaging jets and a combination spray is included. Water-conserving pressure compensating AUTOFLO® device reduces flow to 2.5 GPM (9.46 L/min) maximum, to meet existing ANSI A112.18.1 Standard. 1/2" NPT inlet.

SPECIFICATIONS

SM-10400-P Anti-Scald Balanced Pressure Valve:

Connections:

- Inlets: 1/2" female copper sweat
- Shower Outlet: 1/2" copper sweat
- Tub Outlet: 1/2" NPT female

Flow Rate:

- For use with shower heads rated at 2.0 GPM (7.6 L/min) or higher.

S-3011 Shower Head:

- Supply: 1/2" NPT female
- Flow Rate: 2.5 GPM (9.46 L/min) MAX

S-2500 Shower Arm:

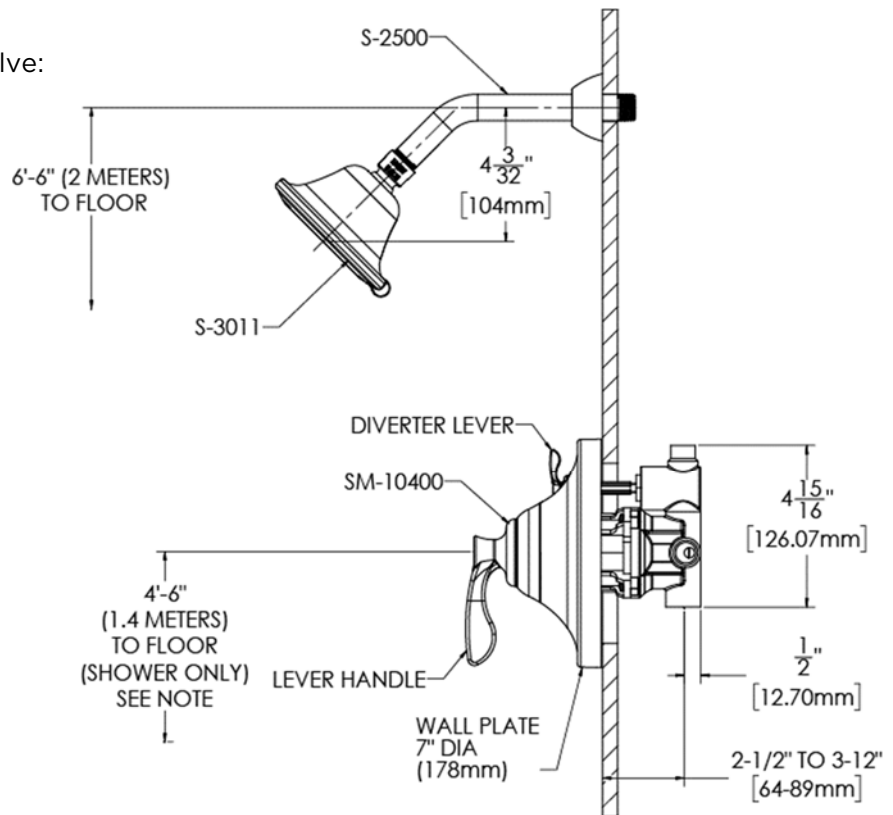
- Supply: 1/2" NPT male inlet
- Outlet: 1/2" NPT male outlet

INSTALLATION

See individual products for installation of the components and warranty information.

ROUGH-IN

See image to right.



NOTE: FOR ADA MOUNTING LOCATIONS CONSULT ADAAG, ANSI A117.1 OR STATE REGULATIONS.

SPEAKMAN®