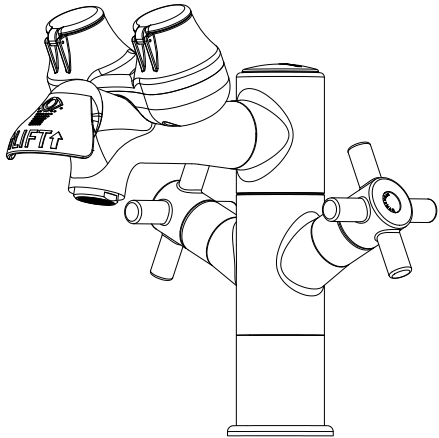


## Instructions for Models:

### SEF-1850 SEF-1850-8 EYESAVER® Combination Faucet



#### Need Help?

For additional assistance or service call:

**SPEAKMAN** Company  
400 Anchor Mill Road  
New Castle, DE 19720

PHONE: 800-537-2107  
EMAIL: [customerservice@speakmancompany.com](mailto:customerservice@speakmancompany.com)  
WEB: [www.speakmancompany.com](http://www.speakmancompany.com)

92-SEF-1850-R4

## What You Need To Know:

### Tools:

#### Required:

Crescent  
Wrench



#### Helpful:

Flat Head  
Screwdriver



### Important Notes:

The supply line for this unit shall provide an uninterrupted supply of flushing fluid at a minimum of 30 psi flowing pressure. If shut off valves are installed in the supply line of the eyewash, provisions shall be made to prevent unauthorized shut off. ANSI Z358.1 requires that all emergency equipment shall be tested weekly to verify proper operation and inspected annually to assure conformance with ANSI Z358.1 requirements. Be sure to read instructions thoroughly before beginning installation. Do not overtighten any connections or damage may occur.

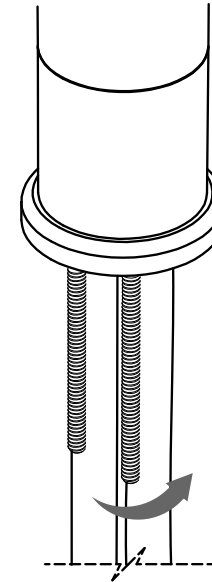
### Safety Tips:

Cover your drain to prevent loss of parts. Always wear eye protection.

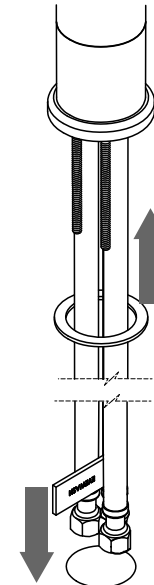
### Maintenance:

Keep the EYESAVER® faucet looking new by cleaning it periodically with a soft cloth. Avoid abrasive cleaners, steel wool, and harsh chemicals as these will dull the finish and void your warranty.

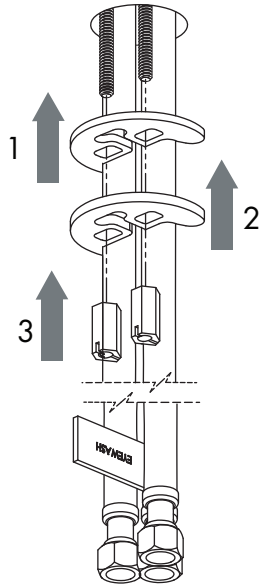
- 1 Turn off water supply. Verify diameter of hole in countertop is a minimum of 1-1/4". Install mounting studs into base of faucet.



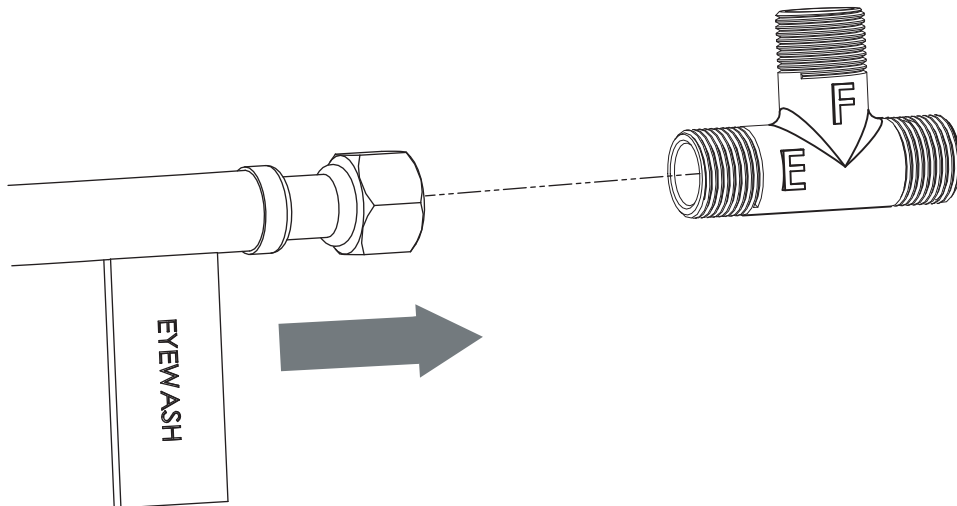
- 2 Install bottom washer over hoses and slide up to meet the base of the faucet. Place hoses through hole in countertop/sink one at a time. Place faucet with mounting studs through hole.



- 3 From beneath countertop, slide the rubber mounting washer, then brass mounting washer over the mounting studs. Thread two (2) brass nuts onto mounting studs. Align faucet square to sink and tighten mounting nuts.

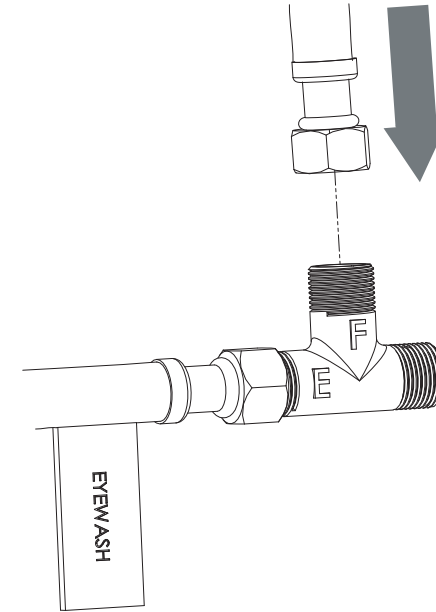


- 4 Locate blue supply hose with the tag reading "EYEWASH". Connect to the "E" port of the supply tee (with check valves) and tighten.

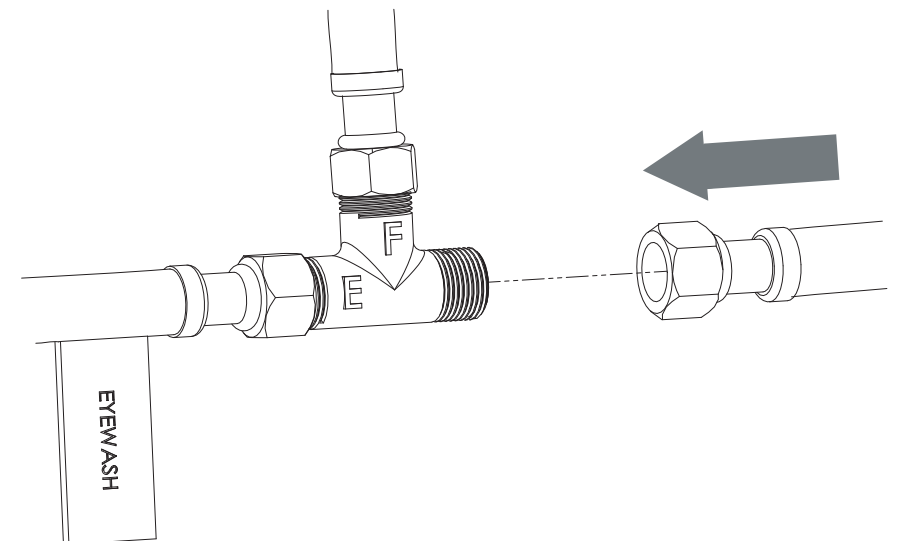


**CAUTION:** HOSES PROVIDED INCLUDE RUBBER COMPRESSION WASHERS FOR SEALING. DO NOT OVERTIGHTEN.

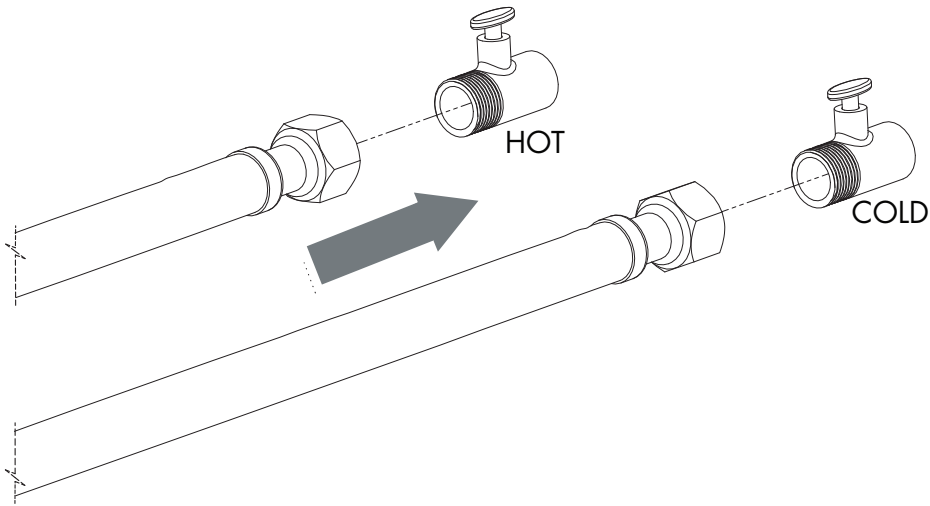
- 5 Locate the other blue hose attached to faucet, and connect it to the "F" port on the the supply tee. Tighten.



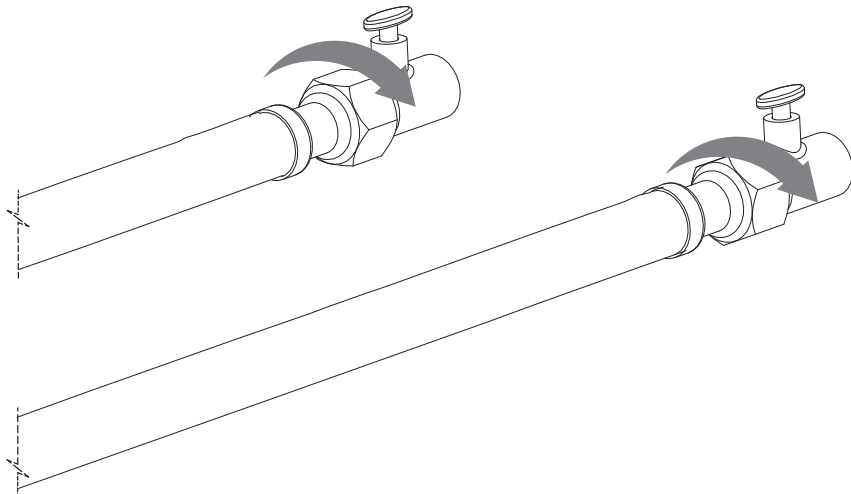
- 6 Retrieve the 6" long blue hose from the box and connect it to the remaining port off the tee. Tighten.



- 7 Connect the short blue hose from the tee to the cold supply valve, and the red (hot) supply hose to the hot supply valve.

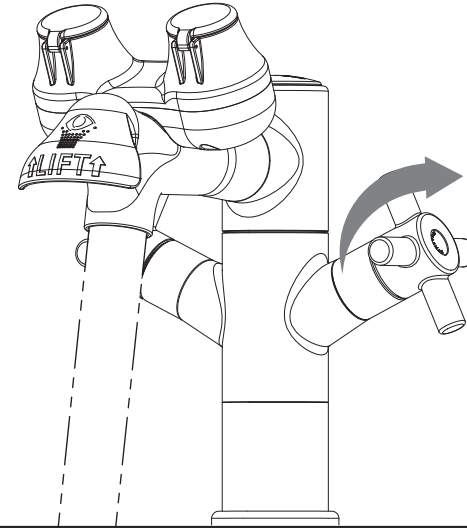


- 8 Tighten both supply connections. Open both supply valves and check for leaks.

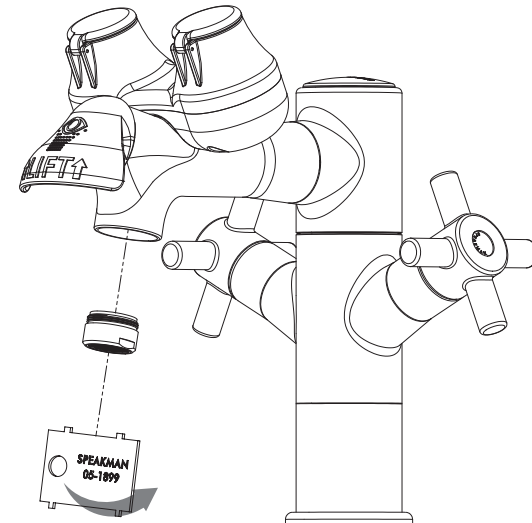


NOTE: If shut off valves are installed in the supply line of the eyewash, provisions shall be made to prevent unauthorized shut off.

- 9 Before installing aerator, turn on both hot and cold faucet handles. This will clear out any debris from the supply lines.

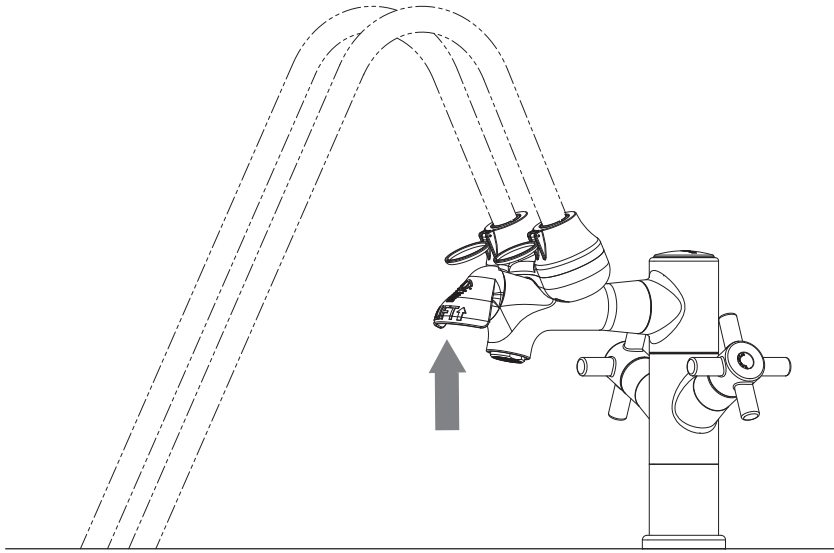


- 10 Close both hot and cold faucet handles. The aerator can now be installed. Tighten first by hand, followed by the supplied aerator wrench.



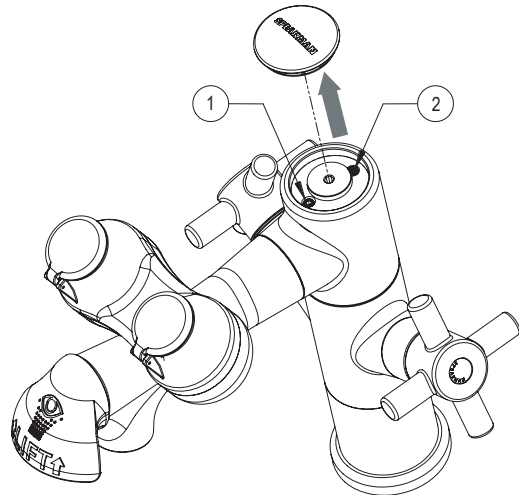
11

**NOTE: Before testing, you must remove tape from Eyewash Caps.** Lift eyewash handle to activate the eyewash and test for proper operation. See chart and notes at right.

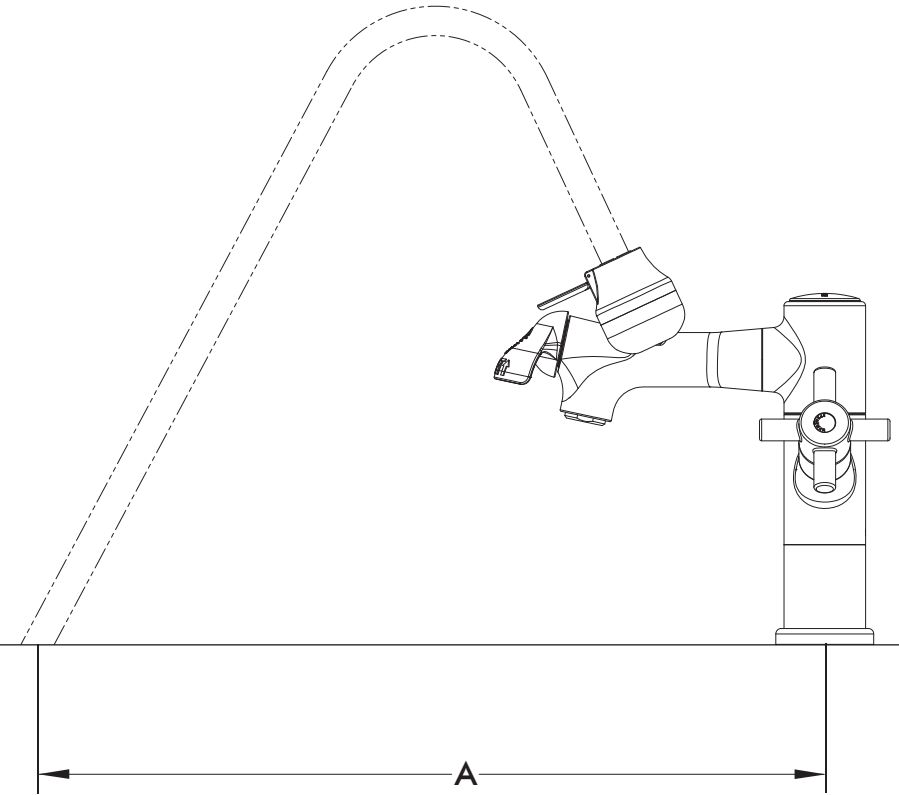


12

The faucet spout was designed to swivel from left to right. If a non-swivel spout is preferred, remove top cover from body. Next, remove allen head set screw from position "1" as seen below. Center the spout between the handles and install the previously removed set screw into position "2" and tighten (DO NOT OVERTIGHTEN). Replace cap.



## Eyewash Flow Data



SEF-1850

FLOWING PRESSURE		FLOW RATE		PLUME DISTANCE "A"	
psi	bar	gpm	L/min	in.	cm.
30	2.07	2.14	8.1	12	30.5
40	2.76	2.25	8.5	13	33.0
50	3.45	2.49	9.4	15	38.1
60	4.14	2.70	10.2	18	45.7
70	4.83	2.95	11.2	21	53.3
80	5.52	3.09	11.7	24	61.0

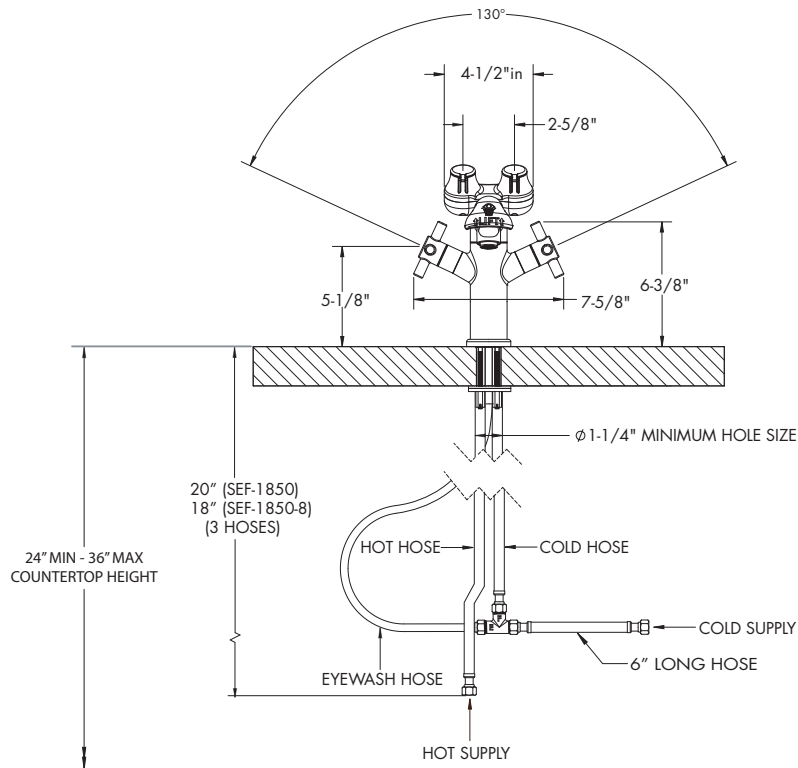
SEF-1850-8

FLOWING PRESSURE		FLOW RATE		PLUME DISTANCE "A"	
psi	bar	gpm	L/min	in.	cm.
30	2.07	2.15	8.1	17	43.2
40	2.76	2.24	8.5	18	45.7
50	3.45	2.47	9.3	20	50.8
60	4.14	2.71	10.3	23	58.4
70	4.83	2.95	11.2	27	68.6
80	5.52	3.13	11.8	29	73.7

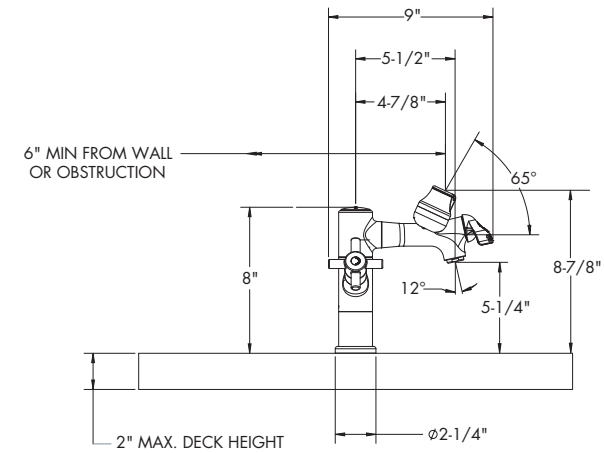
**NOTE:** If plume heights are low, check to ensure that your supply valves are fully open. If there is a noticeable height difference between the two plumes, remove the aerators and flow controls and remove any debris that would inhibit the flow of water.

# ROUGH-IN MEASUREMENTS

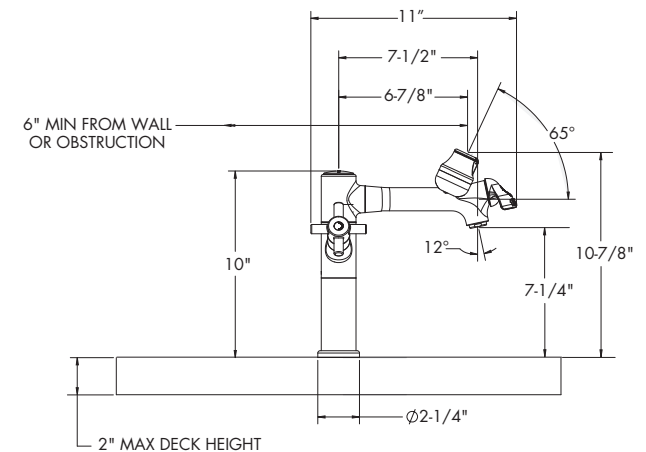
## FRONT VIEW



## SEF-1850 SIDE VIEW (LESS HOSES)



## SEF-1850-8 SIDE VIEW (LESS HOSES)



## REPAIR PARTS

RPG04-0408	CROSS HANDLE GROUP WITH SCREWS, WASHERS, AND INDEX BUTTONS
RPG05-0532-CA	PERFECT VALVE CARTRIDGE ONLY (RED)
RPG05-0533-CA	PERFECT VALVE CARTRIDGE ONLY (BLUE)
G05-0872-PC	1.5 GPM FAUCET AERATOR
RPG05-0908	EYEWASH AERATORS, FLOW CONTROL ADAPTERS, ADAPTER WASHERS, AND FLOW CONTROLS
RPG04-0409	EYEWASH HANDLE WITH YELLOW TEXT AND SET SCREW
RPG05-0910	UPPER EYEWASH COVER WITH FLIP CAPS
RPG05-0909	EYEWASH CARTRIDGE
RPG49-0009	SPOUT QUAD RINGS (3) AND FRICTION WASHER (2)
G01-0053	MOUNTING HARDWARE GROUP
RPG41-0120	SPOUT INDEX BUTTON
RPG41-0285	HANDLE INDEXES AND SCREWS
G05-0627	CHECK VALVE (FOR TEE)

NOTE: UNLESS OTHERWISE SPECIFIED, ALL INLETS ARE 3/8" COMPRESSION WITH FEMALE THREADS. UNLESS OTHERWISE SPECIFIED, ALL DIMENSIONS ARE IN INCHES AND ARE SUBJECT TO CHANGE WITHOUT NOTICE.