

## Instructions for Models:

VS-232007  
VS-233010  
VS-233011  
VS-233014

## Need Help?

For additional assistance or service call:

**SPEAKMAN** Company  
400 Anchor Mill Road  
New Castle, DE 19720

PHONE: 800-537-2107  
EMAIL: [customerservice@speakmancompany.com](mailto:customerservice@speakmancompany.com)  
WEB: [www.speakmancompany.com](http://www.speakmancompany.com)

92-VS-23XXX-R1

## What You Need To Know:

### Tools:

Required:

Adjustable  
Wrench

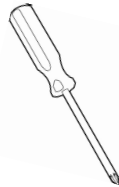


Teflon  
Tape



Helpful:

Phillips  
Screwdriver



### Important Notes:

Be sure to read instructions thoroughly before beginning installation. Do not overtighten any connections or damage may occur.

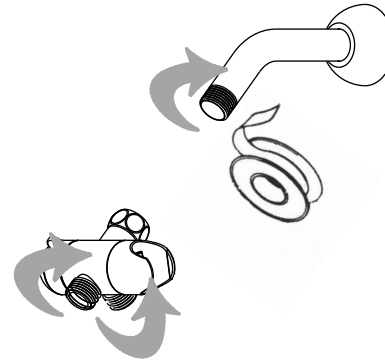
### Safety Tips:

Cover your drain to prevent loss of parts.

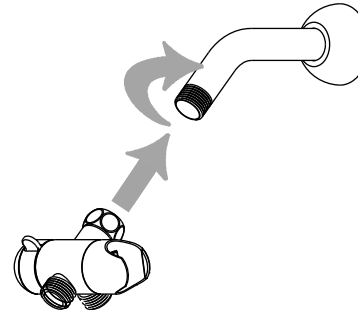
### Maintenance:

Keep your Speakman product looking new by cleaning it periodically with a soft cloth. Avoid abrasive cleaners, steel wool, and harsh chemicals as these will dull the finish and void your warranty.

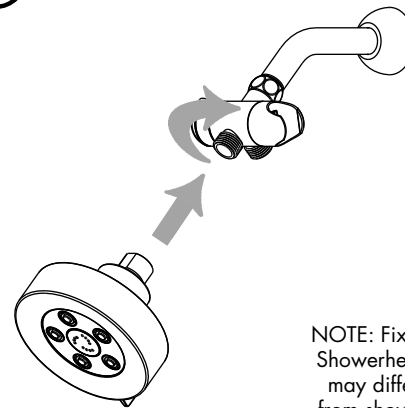
1 Apply Teflon Tape in a clockwise direction to all threaded connections.



2 NOTE: Inspect Diverter to be sure Sealing Washer is in place within Coupling Nut.  
Thread Coupling Nut of Diverter onto Shower Arm. Tighten with Adjustable Wrench.

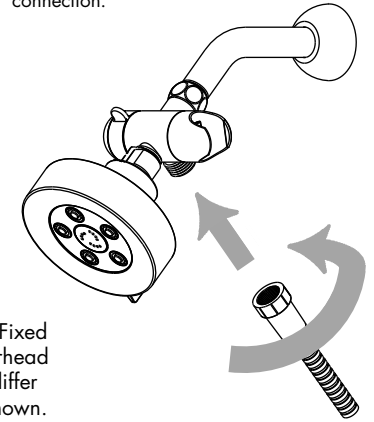


3 Thread Fixed Showerhead onto front outlet of Diverter. Tighten with Adjustable Wrench.



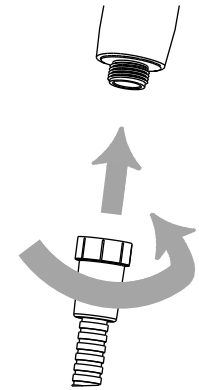
NOTE: Fixed Showerhead may differ from shown.

4 Thread Hose end marked "VACUUM BREAKER" onto bottom outlet of Diverter. Hand tighten connection.

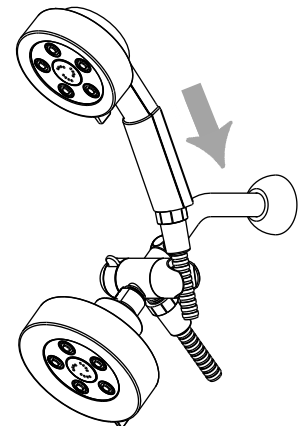


NOTE: Fixed Showerhead may differ from shown.

5 Thread Hose end marked "HAND SHOWER" onto base of Handheld Shower. Hand tighten connection.



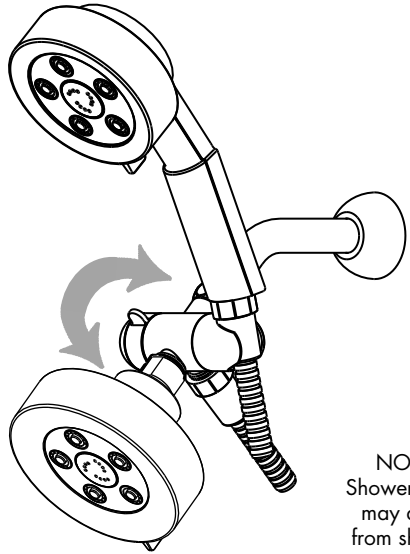
6 Place Hand Shower into Diverter Assembly.



NOTE: Showerheads may differ from shown.

7

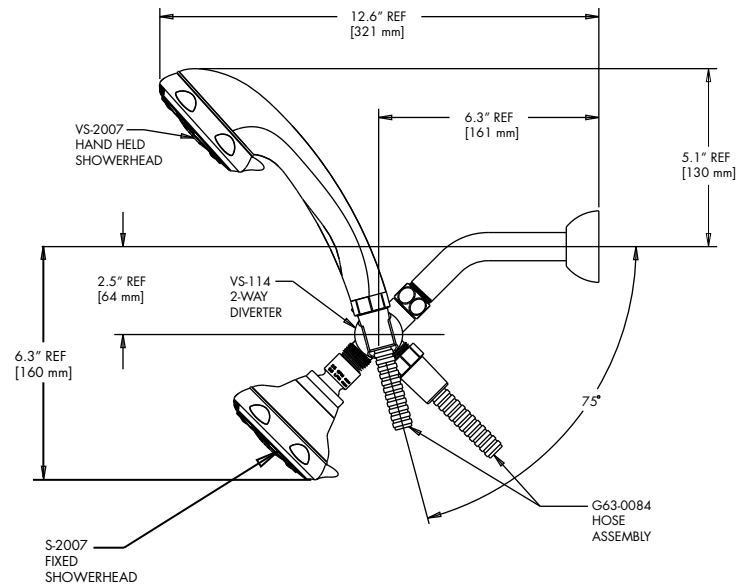
Turn on water supply and check all threaded connections for leaks. If leaks occur tighten connection with an Adjustable Wrench or by hand. Check Diverter for proper operation by turning the side handle backward and forward to activate the Fixed and/or Hand Showers.



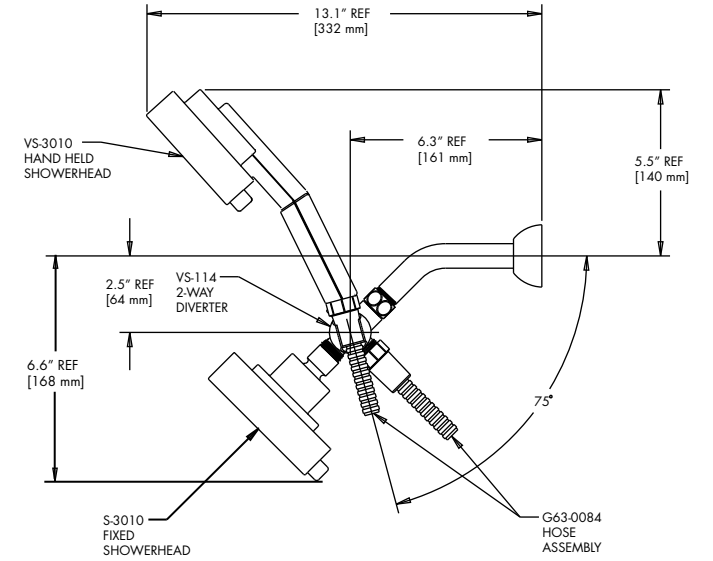
NOTE:  
Showerheads may differ from shown.

## Rough-In

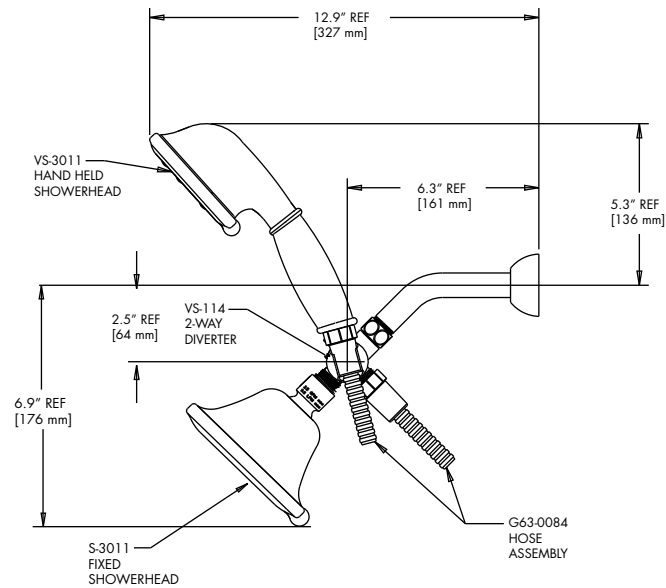
### VS-232007



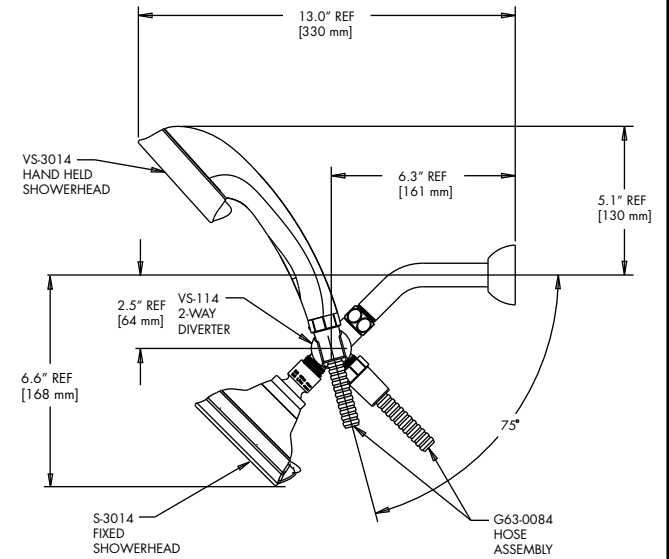
### VS-233010



### VS-233011



### VS-233014



8

If Hand Shower falls forward when placed in Holder, remove Rubber Plug and tighten Screw with Phillips Screwdriver.

