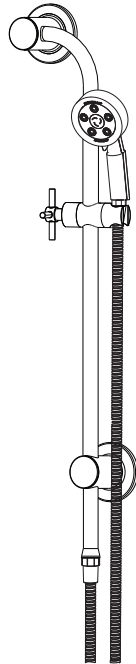


# SPEAKMAN NEO™

## Waterslide™ SWS-1002

SPECIFICATION



### FEATURES:

- Neo Curved WaterSlide Bar
- Bar connects to existing shower supply pipe allowing water to flow through the bar
- 24 In. slide bar with adjustable height hand shower holder
- Curve at the top of the bar prevents interference with the shower valve
- Includes VS-3010 Showerhead & 48 In. metal hose with integrated vacuum breaker
- 2.5 gpm (9.5 L/min) flow rate

### COMPLIANCE:

- Certified to ASME A112.18.1/CSA B125.1

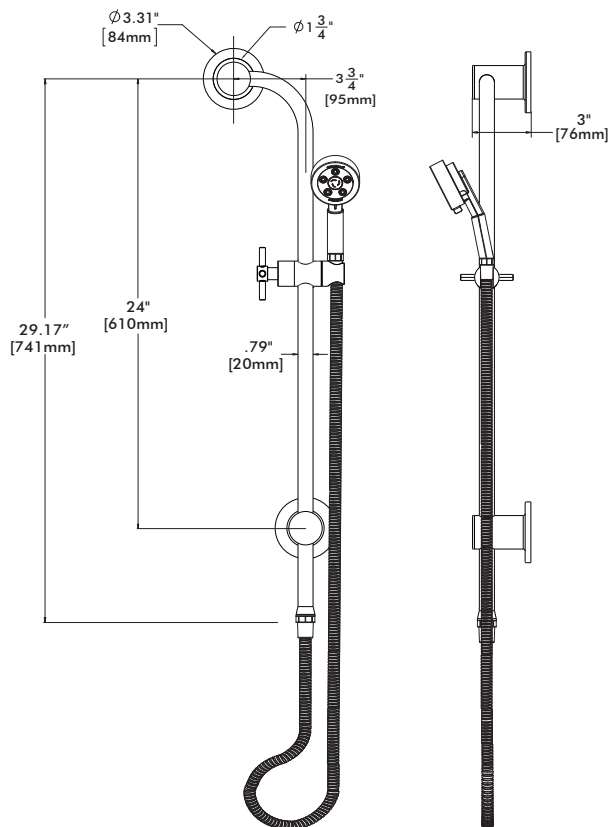
### AVAILABLE FINISHES:

ADD SUFFIX TO MODEL #

- Polished Chrome (standard)
- Brushed Nickel  BN

### WARRANTY:

- 1 year limited



NOTE: 1. All dimensions are in inches (millimeters) unless otherwise specified and are subject to change without notice.

THIS SPACE FOR ARCHITECT/ENGINEER APPROVAL.

# SPEAKMAN®

400 ANCHOR MILL ROAD | NEW CASTLE, DE 19720  
P: 800-537-2107 | F: 800-977-2747  
WWW.SPEAKMANCOMPANY.COM



REVISION DATE: JULY 2012