

# SPEAKMAN COMPANY

## **SE-870 Installation, Maintenance & Operation Instructions**

### **Emergency Deluge Shower Head**

#### **DESCRIPTION**

Emergency deluge shower head with impeller faceplate.

#### **SPECIFICATIONS**

SHANK: 8" Dia. CYCOLAC® Yellow Plastic.

SPRAYFACE: Gray ABS Plastic.

SCREWS: #10-12 S/S, 3/4" Long.

INLET: 1" NPT Female.

SHIPPING WEIGHT: 1 lb.

#### **INSTALLATION**

When assembling use wrench on hex (flats) only. Be sure and use pipe sealant compatible with ABS plastic on threaded connection. Failure to use potable water supply with emergency safety equipment can result in emergency units producing impure or contaminated water causing possible further injury.

#### **TESTING PROGRAM**

The American National Standards Institute (ANSI) states that all safety emergency equipment shall be activated on a weekly basis to flush the line and verify proper operation. Speakman Company furnishes a testing record tag (91-0635) with each unit. On this tag the date of inspection and the inspectors initials should be noted.

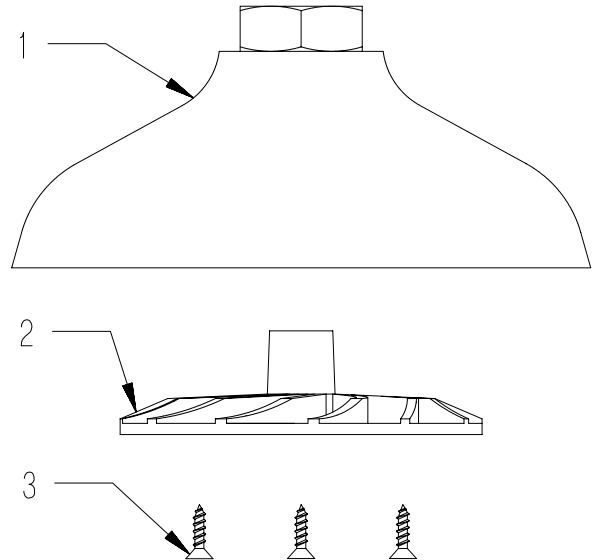
#### **MAINTENANCE**

Should you need parts to repair this unit, please reference the parts listing below for correct part numbers. Before any maintenance is done *be sure to shut the water supply off.*

**WARNING:** Use only genuine Speakman parts when repairing or replacing components. To order parts call 1-800-537-2107.

#### **SE-870 REPLACEMENT/REPAIR PARTS**

| <b><u>ITEM</u></b> | <b><u>PART/GROUP #</u></b> | <b><u>DESCRIPTION</u></b>              |
|--------------------|----------------------------|--|
| 1                  | 38-0184                    | 8" Plastic Deluge Head                 |
| 2                  | 38-0183                    | Plastic Face Plate                     |
| 3                  | 48-0292                    | (3) 10-12 x 3/4" Lg. Sheet Metal Screw |



NOTE: This unit should be connected to an uninterrupted source of potable water, with a minimum flowing pressure of 20 PSI and a maximum static pressure of 125 PSI.

Note: All units meet existing ANSI Z358.1 Standards and OSHA Rules. Product improvements may cause specification and dimensional changes without notice.

**SPEAKMAN®**

PO Box 191 Wilmington, DE 19899 Phone: 800-537-2107 Fax: 800-977-2747  
Visit us on the web at [www.speakmancompany.com](http://www.speakmancompany.com)

2/06  
92-1521 Rev-3