

SPEAKMAN COMPANY

SE-880 Installation, Maintenance & Operation Instructions Emergency Deluge Shower Head

DESCRIPTION

Emergency deluge shower head with impeller faceplate.

SPECIFICATIONS

SHANK: 8" Dia. Stainless Steel.
SPRAYFACE: Gray ABS Plastic.
SCREWS: #10-24 x 1/2" Flat Head.
INLET: 1" NPT Female.
SHIPPING WEIGHT: 2 lb.

INSTALLATION

When assembling use wrench on hex (flats) only. Be sure and use pipe sealant on threaded connection. Failure to use potable water supply with emergency safety equipment can result in emergency units producing impure or contaminated water causing possible further injury.

TESTING PROGRAM

The American National Standards Institute (ANSI) states that all safety emergency equipment shall be activated on a weekly basis to flush the line and verify proper operation. Speakman Company furnishes a testing record tag (91-0635) with each unit. On this tag the date of inspection and the inspectors initials should be noted.

MAINTENANCE

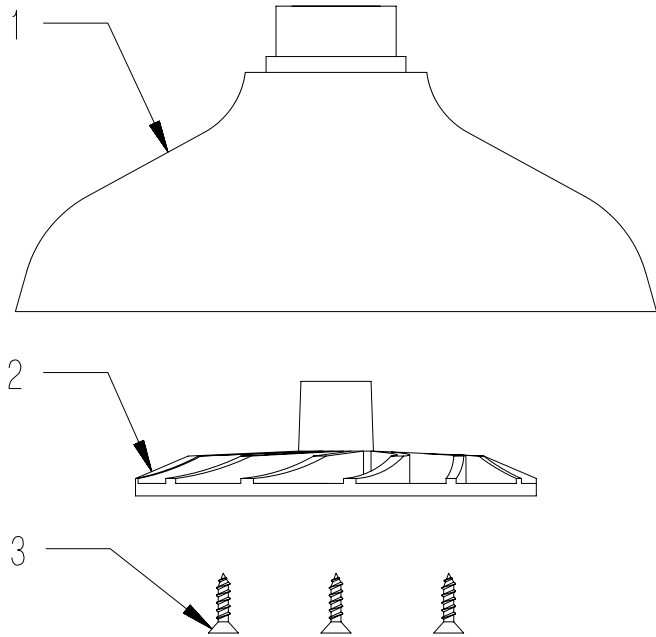
Should you need parts to repair this unit, please reference the parts listing below for correct part numbers. Before any maintenance is done **be sure the water supply is off.**

WARNING: Use only genuine Speakman parts when repairing or replacing components. To order parts call 1-800-537-2107.

SE-880 REPLACEMENT/REPAIR PARTS

<u>ITEM</u>	<u>PART/GROUP #</u>	<u>DESCRIPTION</u>
1	38-0244-SS-P	8" S/S Shank
2	38-0226-PNT Plate	Gray Face
3	48-0310-SS-P	(3) Screw for S/S Shank

NOTE: This unit should be connected to an uninterrupted source of potable water, with a minimum flowing pressure of 20 PSI and a maximum static pressure of 125 PSI.



Note: All units meet existing ANSI Z358.1 2004 Standards and OSHA Rules. Product improvements may cause specification and dimensional changes without notice.

SPEAKMAN®

PO Box 191 Wilmington, DE 19899

Phone: 800-537-2107 Fax: 800-977-2747

Visit us on the web at www.speakmancompany.com