

SPEAKMAN COMPANY

VS-3011 Installation, Operation & Maintenance Instructions ANYSTREAM® HAND-HELD SHOWER

DESCRIPTION

Polished chrome plated ANYSTREAM® S-3011 hand shower. Includes a five foot long hose and swivel ball bracket for shower arm mounting. Spray adjusting, 4" outer ring. 5 plunger nozzles resist scale build-up and provide 45 spray streams for a full body coverage pattern. Center core nozzle delivers a massage spray. Combination spray included. Water conserving pressure compensating AUTOFLO® device reduces flow to 2.5 GPM/9.46LPM maximum, to meet existing ASME A112.18.1 Standard. ½" NPT inlet.

SPECIFICATIONS

SUPPLY INLET: ½" NPT
FLOW RATE: 2.5 GPM/9.46LPM MAXIMUM
FLOW CONTROL: VARIABLE
SHIPPING WEIGHT: 1.6 LBS.

OPTIONS

◇ BN – Brushed Nickel
◇ VS-3011-E2 – Low Flow Showerhead (2.0 GPM/ 7.6 LPM)
◇ VS-3011-BN-E2 – Low Flow Brushed Nickel Showerhead (2.0 GPM/ 7.6 LPM)

INSTALLATION

Screw the swivel arm bracket onto the outlet shower arm. Install rubber washers in the ends of the hose. Turning in a clockwise direction, thread the hose swivel onto the threaded end of the swivel arm bracket and the other hose end onto the hand held shower. **IMPORTANT: One end of the hose is marked with ribs and a paper tab indicating this end MUST connect to the bracket. If not installed correctly there will be restricted flow.** Hand tighten firmly all connections. Turn the water supply on and check for leaks.

OPERATION

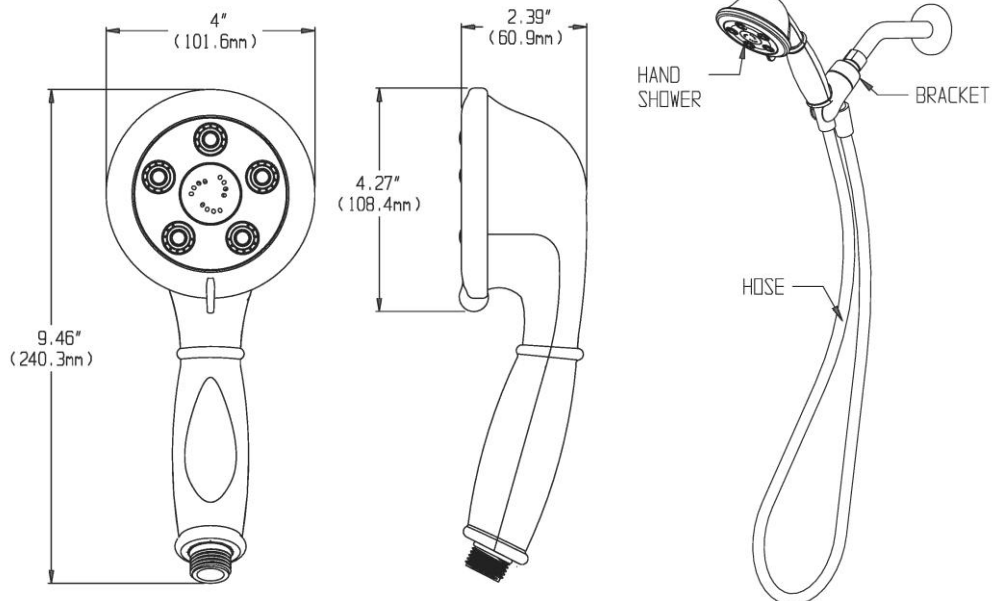
To adjust the spray pattern of the shower head, simply rotate the outer ring to the desired spray (Full-Body, Dual action or Massage). The outer ring can rotate 360°.

MAINTENANCE

The gleaming finish of your SPEAKMAN® hand shower can be cleaned by using mild soap and warm water. Dry immediately with a soft, clean cloth for best results. The flow control device limits water flow to 2.5 gallons per minute. The small orifices may become clogged with scale and other minerals found in potable water. To clean the flow regulator, simply remove the shower arm mount from the bent arm, pull out the rubber washer from the ball, dislodge the flow regulator and clean as necessary.

Product improvements may cause specification and dimensional changes without notice.

ROUGH-IN MEASUREMENTS



Note: Accessories shown.

SPEAKMAN®

PO Box 191 Wilmington, DE 19899 Phone: 800-537-2107 Fax: 800-977-2747
Visit us on the web at www.speakmancompany.com

1/11
92-3189
Rev. 2