

SPEAKMAN COMPANY

VS-120 Installation, Maintenance & Operation Instructions

VERSATILE® SWIVEL CONNECTOR

DESCRIPTION

Speakman VERSATILE® Swivel connector.

SPECIFICATIONS

SUPPLY INLET: 1/2" NPSM MALE
OUTLET : 1/2" NPSM FEMALE
SHIPPING WEIGHT: 0.1 LBS.

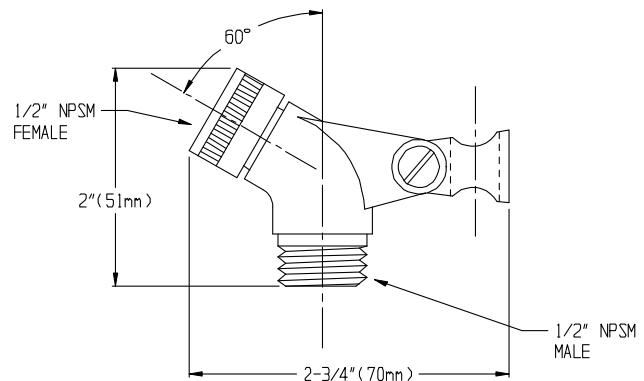
INSTALLATION

Using rubber washer(s), connect inlet to supply hose and outlet to hand held shower. Firmly hand tighten connections. Turn water supply on and check for leaks.

MAINTENANCE

The finish of your SPEAKMAN VERSATILE® VS-120 swivel connector can be cleaned by using mild soap and warm water. Dry immediately with a soft, clean cloth for best results.

ROUGH-IN MEASUREMENTS



Product improvements may cause specification and dimensional changes without notice.