

# SPEAKMAN COMPANY

## **SM- Regency/Royale Valve, Showerhead, Tub Spout, & Combo Series Installation, Maintenance & Operation Instructions**

### **DESCRIPTION**

Speakman Sentinel Mark II Regency/Royale concealed anti-scald balanced pressure shower /bath valve & combinations. Chrome plated brass wall plate (Regency). Chrome plated plastic wall plate (Royale). Chrome plated brass lever handle. Adjustable temperature limit stop. Brass body. Piston type pressure balancing/ceramic regulating cartridge assembly with built-in check valves. Can be installed back to back. Roughing-in template. S-2270-AF COSMOPOLITAN® showerhead (If applicable), S-2280-AF Anystream wall mounted showerhead (If applicable), or VS-100 Handheld Shower (If applicable) with flow control device reduces flow to 2.5 GPM/9.46 LPM maximum to meet existing ASME A112.18.1/CSA B125.1 Standard. Chrome plate brass shower arm and wall flange (If applicable). Chrome plated tub spout (If applicable). Four port valve with ½” female copper sweat inlets and shower outlet. ½” NPT female tub outlet. Meets ASME A112.18.1/CSA B125.1 & ASSE 1016 standards.

### **SPECIFICATIONS**

**SUPPLY:** ½” FEMALE COPPER SWEAT INLETS & SHOWER OUTLET; ½” NPT FEMALE TUB OUTLET (VALVE)  
**FLOW RATE:** 2.5 GPM/9.46 LPM MAX. (SHOWERHEAD AND/OR HANDHELD SHOWER, IF APPLICABLE)  
**SHIPPING WEIGHT:** 3.5 LBS (SM-3000)

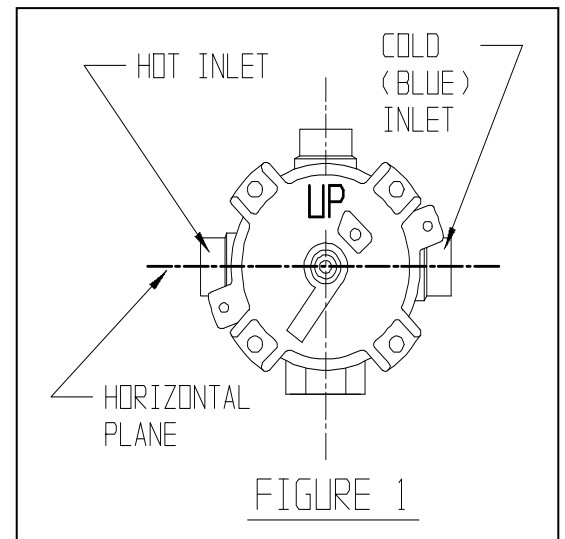
### **OPTIONS**

◇ 1 - S-2251 Showerhead	◇ 4 - S-2220-AF Showerhead	◇ AP - Anchor Plate (S-2280-AF Showerhead Only)
◇ 2 - S-2252-AF Showerhead	◇ 6 - S-2288-AF Showerhead	◇ BJ - Ball Joint (S-2280-AF Showerhead Only)
◇ 2VR - S-2252-AF Vandal Resistant Showerhead	◇ PC – Polish Chrome Handheld Shower (Combo w/VS-100 Only)	◇ VH- White Vinyl Hose (Combo w/Handheld Shower Only)
◇ 3 - S-2253-AF Showerhead	◇ 9 - S-2292-AF Showerhead	◇ LH - Less Showerhead
◇ 7 - S-2291-AF Showerhead	◇ IS - Integral Stops	◇

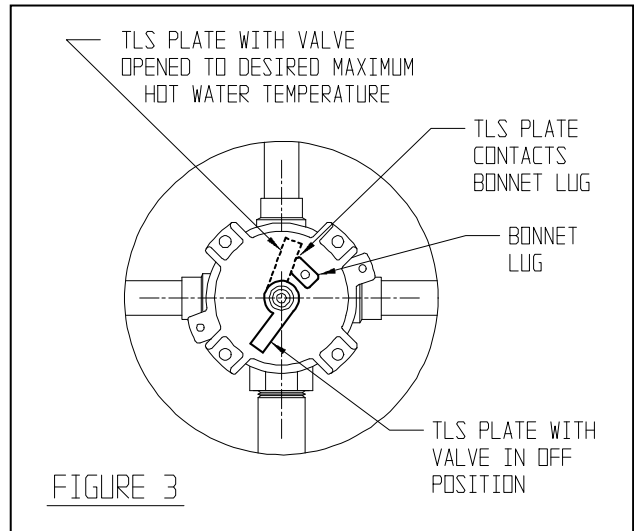
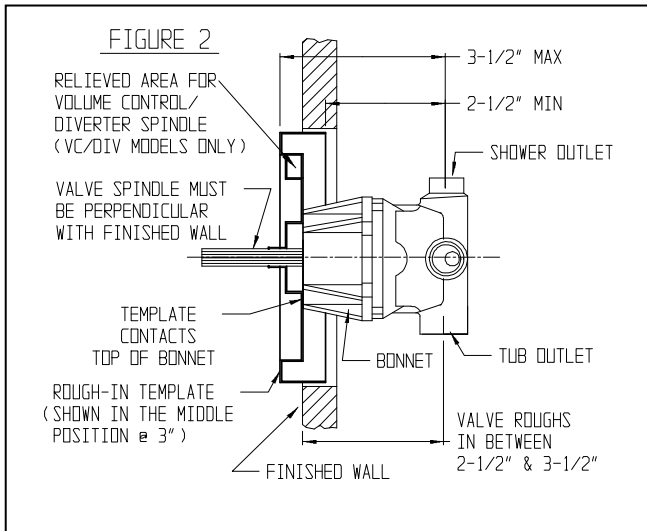
### **INSTALLATION INSTRUCTIONS**

**Important-** Read these instructions before installing the valve. Use the correct “Rough-in Diagram” for the unit that is being installed. Maximum water pressure: 125 PSI static; minimum water pressure: 20 PSI flowing; maximum supply temperature: 160° F; minimum supply temperature: 40° F. Use a suitable sealant on all threaded connections and when soldering, it is recommended to remove the integral stop valve parts (If applicable) and VC/DIV cartridge (If applicable). The valve rough-in adjustments are 2-1/2” to 3-1/2” from the finished wall to the centerline of the hot & cold inlets of the valve body.

- 1) Referring to the correct “Rough-in Diagram” for the unit that is being installed (See the back page or the separate insert sheet), install the hot & cold supply lines for the valve, making sure they are on an accurate horizontal plane. Taking the valve assembly, making sure the “UP” on the valve bonnet is in the up position, connect the hot supply line to the left side of the valve & the cold supply line to the right (marked “BLUE”) side of the valve. Make sure the valve is straight, level, & positioned properly in the wall (See Figure 1). See Page 2 for “Back-To-Back” valve installation instructions.
- 2) Slip the rough-in template over the valve control spindle. If the opening in the wall is smaller than the outside diameter of the template, trace the outside diameter of the template, remove the template, and recut the opening in the wall. Slip the template onto the valve again until the template bottoms out on the top of the valve bonnet (See Figure 2). Note- When installing a valve with the built-in volume control/diverter feature, make sure the template is positioned so the brass “VC/DIV” spindle is in the relieved area of the template. The finished wall should fall between the minimum and maximum limits of the template if the valve has been installed properly. Leave the template in place if the finished wall has to be installed. The template will insure the proper size opening for repair accessibility, as well as protect the valve from damage during the finished wall installation.
- 3) Install the rough piping and transfer valve (If applicable) to the shower and/or tub outlets of the valve. If the installation is only using one outlet, be sure to plug the other outlet with the provided pipe plug. Check connections for leaks. If applicable, construct the finished wall.

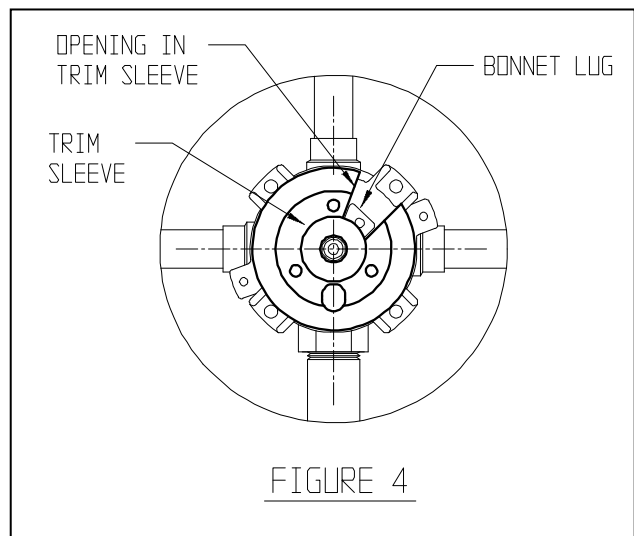


- 4) With the necessary opening(s) in the finished wall, assemble the accessory(s) to the rough piping (**Important-** See separate “Accessory Installation Instructions” supplied with some of the accessories). With the rough-in template removed & the valve turned OFF, turn both the hot & cold water supplies ON. Using the handle, operate the valve checking all the connections for leaks.
- 5) To limit the maximum hot water temperature the valve delivers, adjust the valve’s temperature limit stop (TLS) plate (See Figure 3). Slip the retaining o-ring and the TLS plate towards the end of the spindle. Rotate the valve handle clockwise to the maximum desired hot water temperature. Position the TLS plate so it contacts the lug on the valve bonnet and therefore restricts the clockwise rotation of the handle. Slip the retaining o-ring back into the groove of the spindle. Turn off the valve and remove the handle.



**Note-** For valve with built-in volume control/diverter feature, make sure the brass “VC/DIV” spindle is in the center position (spindle flats in the vertical position).

- 6) Slip the trim sleeve onto the spindle and valve. **Important-** Rotate the sleeve so that the lug on the valve bonnet is in the pie shaped opening of the sleeve (See Figure 4). Apply clear silicone sealant to the backside outer flat surface of the wall plate. For valve with a brass wall plate, make sure the threaded boss in the wall plate is below the center hole. Carefully slip the wall plate onto the trim sleeve and “VC/DIV” spindle (If applicable). Properly position against the finished wall. Fasten the wall plate to the valve using the (2) long wall plate screws. Do not over tighten the wall plate screws. Wipe off any excess sealant from around the outer edge of the wall plate. If applicable, remove clear protective sheet from top of index plate. Slip the index plate over the trim sleeve and fasten to the wall plate with the screw & flat washer provided. Properly position the handle onto the valve spindle and screw into place. Push index button into the handle.

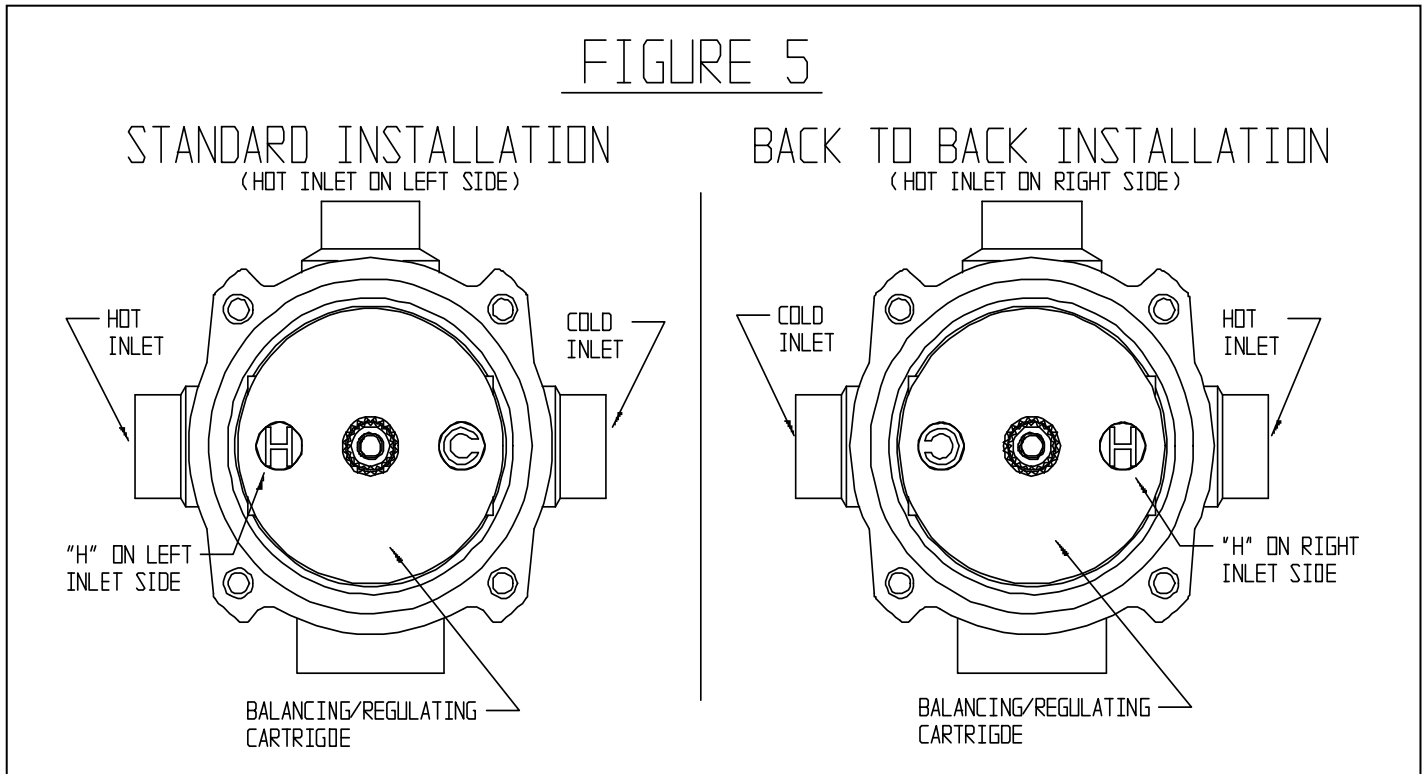


### **BACK-TO-BACK INSTALLATION**

On this type of installation, the balancing/regulating cartridge must be rotated 180° on the valve on which the hot & cold inlets are reversed. Refer to Figure 5 on the next page for the proper positioning of the balancing/regulating cartridge.

- 1) Make sure the hot & cold water supplies are shut OFF. With the valve in the OFF position, remove the (4) valve bonnet screws. Carefully remove the bonnet. Remove the balancing/regulating cartridge from the valve body by pulling on the valve spindle or the blue cap of the cartridge. Make sure the lower rubber quad rings (2) are properly installed in bottom of the cartridge and not in the valve body.
- 2) Reposition the balancing/regulating cartridge per the Figure 5 drawing. Push cartridge into valve body.
- 3) Make sure the large bonnet o-ring seal is installed and seated properly in the valve body. Reassemble the valve bonnet, making sure the “UP” on the bonnet is in the up position. Tighten the (4) bonnet screws.

FIGURE 5



### **OPERATION INSTRUCTIONS**

**Important-** Both hot and cold water supplies must be FULL on for the valve to operate properly.

Rotate the valve handle clockwise to the desired temperature. To shut the valve OFF, rotate the handle counter clockwise. Volume control/diverter models have an additional lever handle located at the top of the wall plate. The center position (12 o'clock) turns both the shower and tub discharge off. Clockwise rotation of this handle turns the shower discharge on and controls the discharge volume from the shower outlet of the valve. Counter clockwise rotation of this handle turns the tub discharge on and controls the discharge volume from the tub outlet of the valve. On volume control/diverter model, make sure the main valve handle is turned to the OFF position when the shower/bath is not in use.

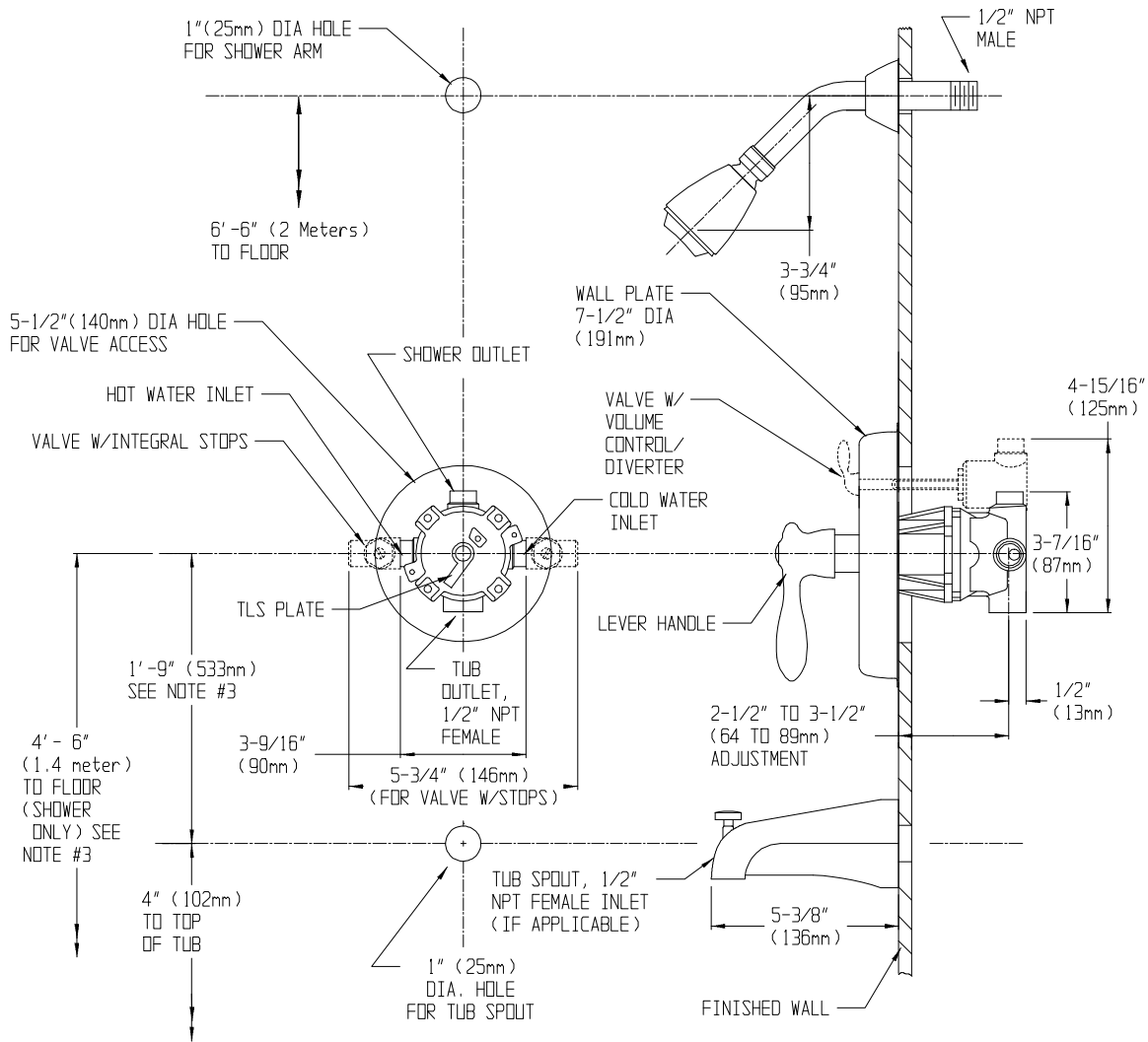
### **MAINTENANCE (CARE and CLEANING)**

The shower/bath valve is washerless and requires no routine maintenance. The valve uses a cartridge that has a piston type balancing module & a ceramic regulating module. There are no seat washers or packing to repair. For servicing the valve, see the instructions below. The gleaming finish of your SPEAKMAN Regency/Royale valve can be cleaned by using mild soap and warm water. Dry immediately with a soft, clean cloth for best results.

### **SERVICE INSTRUCTIONS**

- 1) Shut off the hot & cold water supplies to the valve. Remove handle index button & handle. Remove index screw & index (If applicable). Remove wall plate screws (2) & wall plate.
- 2) With the valve in the OFF position, remove the (4) valve bonnet screws. Carefully remove the bonnet
- 3) If necessary remove the balancing/regulating cartridge from the valve body by pulling on the valve spindle or the blue cap of the cartridge. Make sure the lower rubber quad rings (2) are installed in the bottom of the cartridge and not in the valve body.
- 4) Replace the necessary parts with new parts. When replacing the balancing/regulating cartridge, make sure that the rubber quad-rings (2) are properly installed in the recesses on the bottom of the cartridge. These quad-rings seal over the hot & cold inlet holes inside the body. When replacing the cartridge, refer to Figure 5 for proper positioning of cartridge.
- 5) Make sure the large bonnet o-ring seal is installed and seated properly in the valve body. Reassemble the valve bonnet, making sure the "UP" on the bonnet is in the up position. Tighten the (4) bonnet screws. Turn ON the hot & cold water supplies. Check valve for leaks. If necessary, adjust the TLS plate (See Step 5 of the installation instructions).
- 6) Reassemble the trim parts, reversing the above procedure.

## ROUGH-IN DIAGRAM



**NOTES:**

1. ALL DIMENSIONS ARE IN INCHES (MILLIMETERS) UNLESS OTHERWISE SPECIFIED AND ARE SUBJECT TO CHANGE WITHOUT NOTICE.
2. UNLESS OTHERWISE SPECIFIED ALL INLETS AND OUTLETS ARE 1/2" FEMALE COPPER SWEAT.
3. FOR ADA MOUNTING LOCATIONS CONSULT ADAAG, ANSI A117.1, OR STATE REGULATIONS.

### REPAIR / REPLACEMENT PARTS

<u>ITEM NUMBER</u>	<u>PART OR GROUP NUMBER</u>	<u>DESCRIPTION</u>
1	RPG49-0126	BONNET O-RING
2	RPG05-0718	BONNET, SCREWS (4), & O-RING REPAIR GROUP
3	RPG03-0259-RCP	STANDARD VALVE SPINDLE, WASHERS (2), & O-RINGS (2) REPAIR GROUP
4	RPG03-0365-RCP	1" LONGER VALVE SPINDLE, WASHERS (2), & O-RINGS (2) REPAIR GROUP
5	RPG03-0366-RCP	1-1/2" LONGER VALVE SPINDLE, WASHERS (2), & O-RINGS (2) REPAIR GROUP
6	RPG49-0076	SPINDLE O-RING REPAIR GROUP (4 O-RINGS PER BAG)
7	RPG05-0843	BALANCING/REGULATING REPAIR CARTRIDGE (COMPLETE w/SPINDLE)
8	RPG49-0005	LOWER QUAD RINGS (2) FOR BALANCING/REGULATING CARTRIDGE
9	RPG05-0847	VOLUME CONTROL/DIVERTER CERAMIC REPAIR CARTRIDGE

## **SPEAKMAN®**

PO Box 191 Wilmington, DE 19899

Phone: 800-537-2107 Fax: 800-977-2747

Visit us on the web at [www.speakmancompany.com](http://www.speakmancompany.com)