

SPEAKMAN®

Caspian ADA Hand-held Shower/Tub Combination SM-7050-P

DESCRIPTION

Speakman Caspian ADA Hand-held Shower Combination unites the best products included in our Caspian Series, while maintaining ADA requirements. The combination begins with our anti-scald balanced pressure valve with integral stops, featuring a brass body and adjustable temperature limit stop. The wall plate and handle are designed with definitive Caspian Collection styling. Piston-type pressure balancing/ceramic regulating cartridge assembly with built-in check valves. Meets ASME A112.18.1 / CSA B125.1 & ASSE 1016 standards. The featured product in the Caspian hand-held shower combination is the ANYSTREAM® VS-3014 hand shower with a 3¾" outer spray adjustment ring. Five self-cleaning plunger nozzles resist scale build-up and provide 50 spray streams for a full body coverage pattern. The center core nozzle delivers 12 massaging jets and a combination spray is included. Water-conserving pressure compensating AUTOFLO® device reduces flow to 2.5 GPM / 9.46 LPM maximum, to meet existing ANSI A112.18.1 Standard. To control the water supply between the VS-155 supply elbow and your VS-3014 is the VS-156 ADA compliant volume control. The adjustability of your Caspian SA-1202 slide bar will allow you to choose the perfect height to rest your hand shower. Finishing out the combination is the Neo S-1562 tub spout, which features an integrated diverter, matched to the style of the other components.

SPECIFICATIONS

SM-7000-P Anti-Scald Balanced Pressure Valve:

Connections: ½" female copper sweat inlets & shower outlet; ½" NPT female tub outlet

Flow Rate: For use with showerheads rated at 2.0 GPM (7.6 LPM) or higher

VS-3014 Hand Held Shower:

Supply: ½" NPT female

Flow Rate: 2.5 GPM / 9.46 LPM MAX

VS-155 Supply Elbow:

Supply: ½" NPT female inlet

Outlet: ½" NPSM male outlet

VS-156 Volume Control:

Supply: ½" NPSM male inlet

Outlet: ½" NPSM female outlet

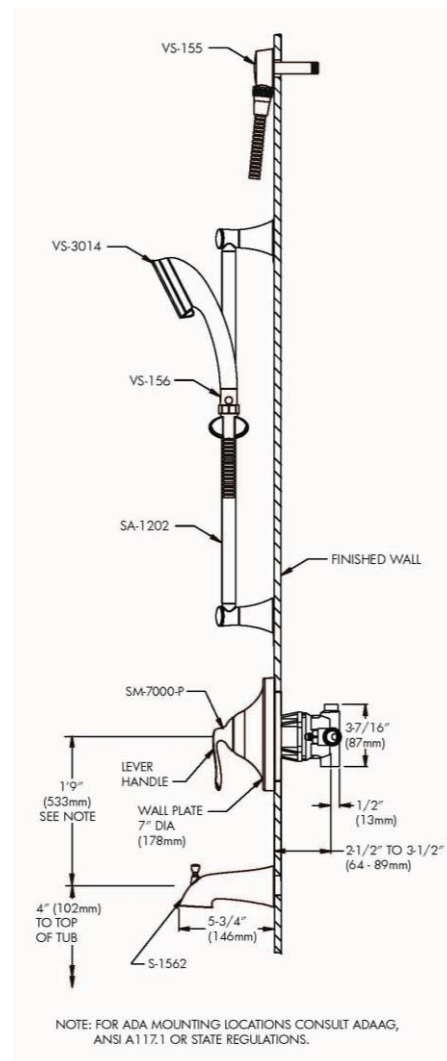
S-1562 Tub Spout with Diverter:

Supply: ½" copper pipe slip fit

INSTRUCTIONS

See individual products for installation of the components and warranty information.

ROUGH-IN



SPEAKMAN®

400 Anchor Mill Rd. New Castle, DE 19720
03/12 Visit us on the web at www.speakmancompany.com

Phone: 800-537-2107

Fax: 800-977-2747
IOM-SM-7050

SPEAKMAN COMPANY

Caspian Collection Combination Series SM-7000-P

DESCRIPTION

Speakman Caspian Collection Combination Series unites the best products included in our Caspian Series. The combination begins with our anti-scald balanced pressure valve with integral stops, featuring a brass body and adjustable temperature limit stop. The wall plate and handle are designed with definitive Caspian Collection styling. Piston type pressure balancing/ceramic regulating cartridge assembly with built-in check valves. Meets ASME A112.18.1 / CSA B125.1 & ASSE 1016 standards

SPECIFICATIONS

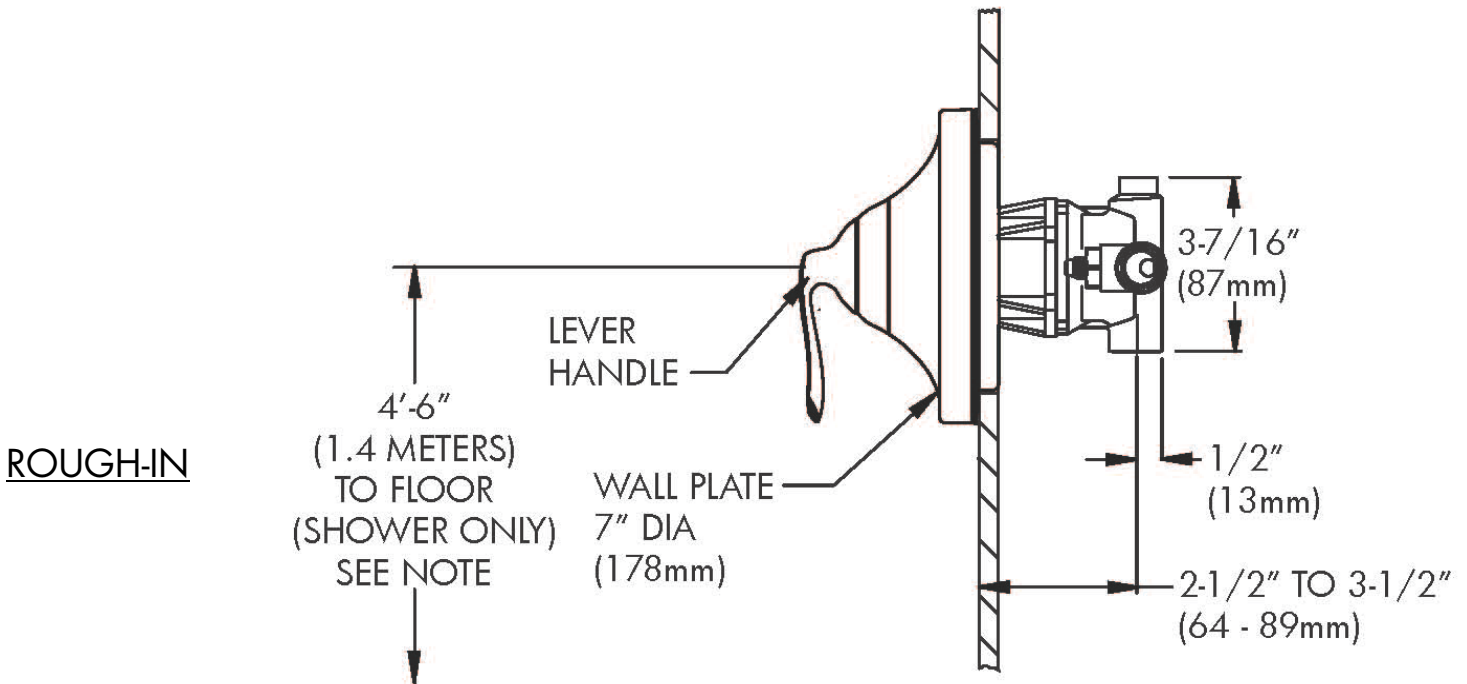
SM-7000-P Anti-Scald Balanced Pressure Valve:

Connections: 1/2" female copper sweat inlets & shower outlet; 1/2" NPT female tub outlet

Flow Rate: For use with showerheads rated at 2.0 GPM (7.6 LPM) or higher.

INSTRUCTIONS

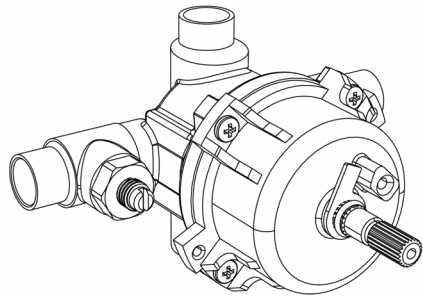
See individual products for installation of the components and warranty information.



NOTE: FOR ADA MOUNTING LOCATIONS CONSULT ADAAG,
ANSI A117.1 OR STATE REGULATIONS.

Instructions for Models:

CPV-P-IS



Need Help?

For additional assistance or service call:

SPEAKMAN Company
400 Anchor Mill Road
New Castle, DE 19720

PHONE: 800-537-2107
EMAIL: customerservice@speakmancompany.com
WEB: www.speakmancompany.com

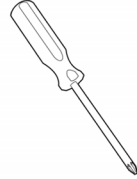
92-3248-R2

What You Need To Know:

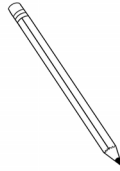
Tools:

Required:

*Phillips
Screwdriver



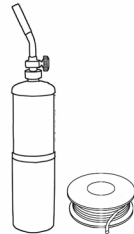
*Pencil



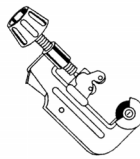
*Adjustable
Wrench



*Solder Kit

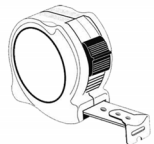


*Tubing Cutter



Helpful:

* Tape Measure



*Level



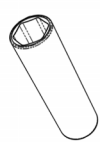
*Keyhole
Saw



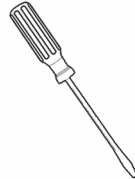
*Socket
Wrench



*9/16" Deep
Well Socket



*Flat Tip
Screwdriver



*Eye Protection



What You Need To Know:

Important Notes:

Be sure to read instructions thoroughly before beginning installation.

Be sure to have properly adjusted the Temperature Limiting Stop (TLS) as outlined in this Instruction Manual.

Inspect all connections after installation of valve.

This valve has an operating range of 20-80 psi.

Safety Tips:

Follow proper safety precautions recommended by tool manufacturers.

Wear proper eye protection.

Protect surrounding area while soldering.

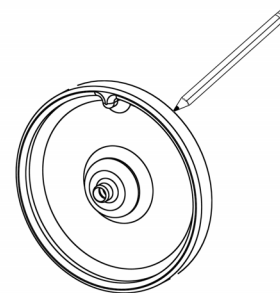
Maintenance:

Your new shower/bath valve is washerless and requires no routine maintenance.

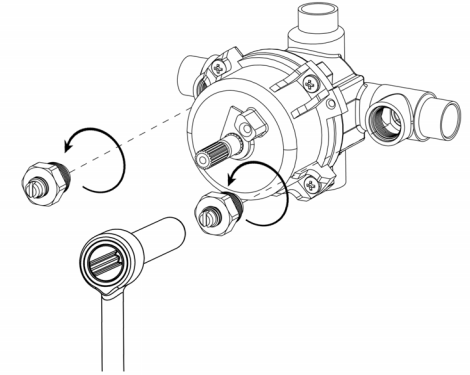
This valve incorporates a cartridge using a piston style balancing module, combined with a ceramic regulating module. This method eliminates seat washers and other packing materials.

If service is required, please follow the instructions included within the appropriate repair part grouping.

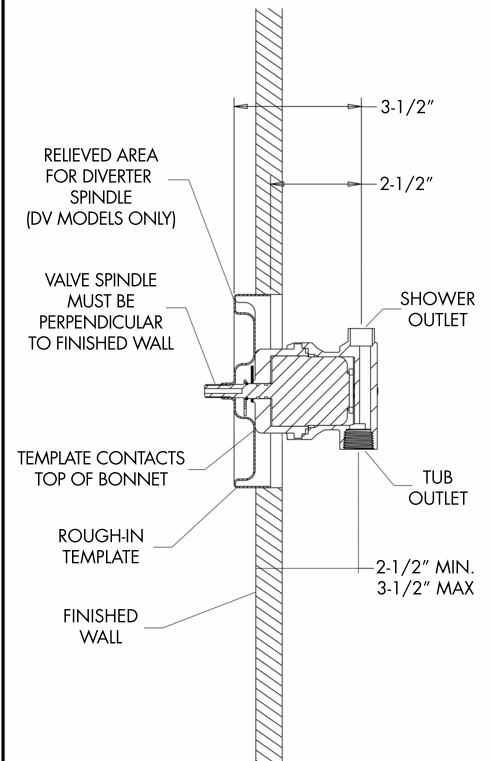
- 1 Referencing the supplied rough-in dimensions (located on last page), determine the preferred location of valve. Align the supplied rough-in template with this location and trace outline of template onto wall. Using a keyhole saw or similar tool, cut along line and remove this section of wall.



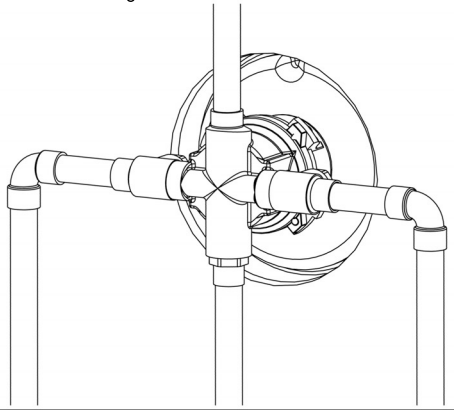
- 2 To prevent damage while soldering, remove the integral stops (IS) using a socket wrench equipped with a 9/16" deep well socket.



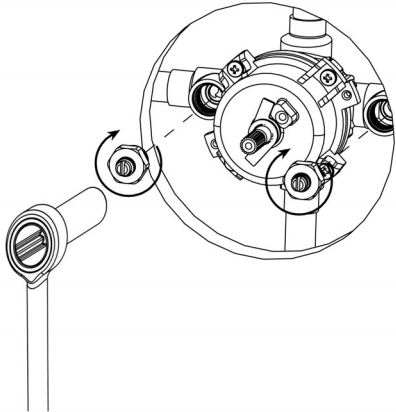
- 3 Following the rough-in dimensions (located on last page) as well as the markings on the supplied rough-in template, install valve at proper depth. The distance from the inlet/outlet ports of the valve assembly to the finished wall MUST be between 2-1/2" - 3-1/2".



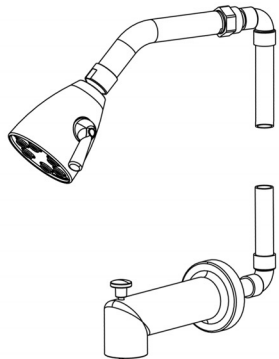
- 4** Plumb and solder all joints and fittings to valve. Take care to protect surrounding area when soldering.



- 5** Reinstall integral stops removed in STEP 2.



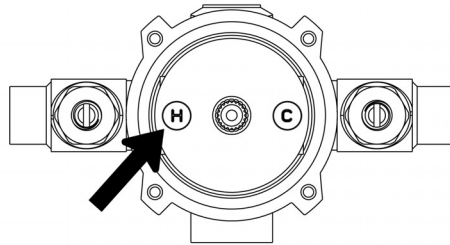
- 6** Plumb and solder all fittings required for accessories. If performing a standard installation proceed to STEP 11. If performing a back to back installation, proceed to STEP 7.



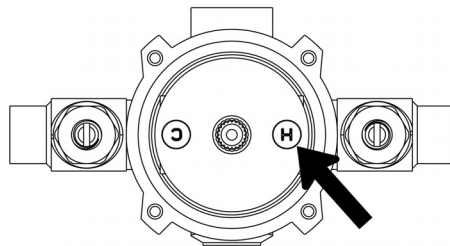
7 BACK TO BACK INSTALLATION

If a back to back installation is used, the balancing / regulating cartridge must be removed and rotated 180 degrees. **DO NOT** remove blue cover from cartridge.

STANDARD INSTALLATION:
HOT INLET ON LEFT SIDE

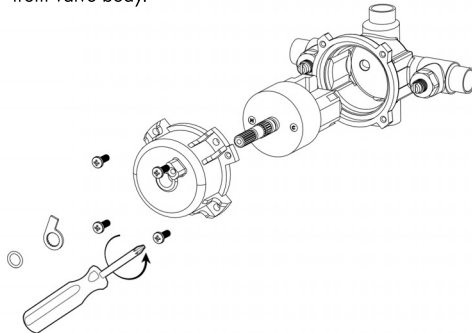


BACK TO BACK INSTALLATION:
HOT INLET ON RIGHT SIDE



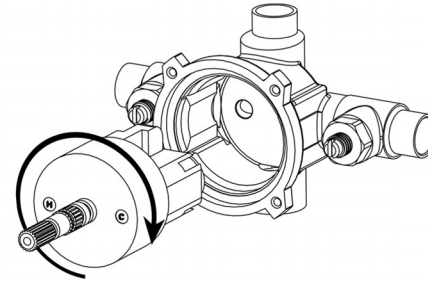
8 BACK TO BACK INSTALLATION

To adapt your shower valve for back to back installation, remove spindle O-ring, TLS plate, and four (4) bonnet screws. Then remove bonnet and cartridge assembly from valve body.



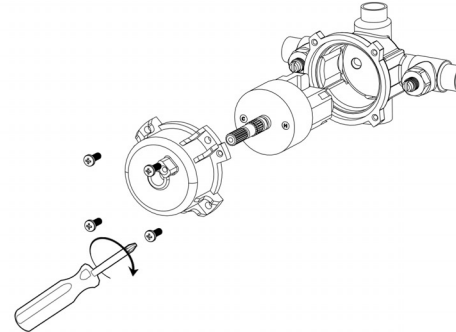
9 BACK TO BACK INSTALLATION

Rotate cartridge 180 degrees, and reinstall into valve body. The "H" marking on the blue cover should now be on the right hand side.

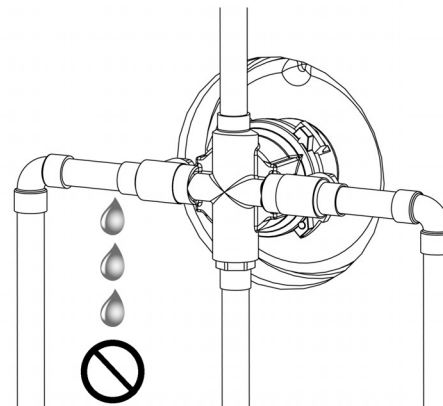


10 BACK TO BACK INSTALLATION

Reinstall bonnet and four (4) bonnet screws, making sure bonnet O-ring is in place within valve body.

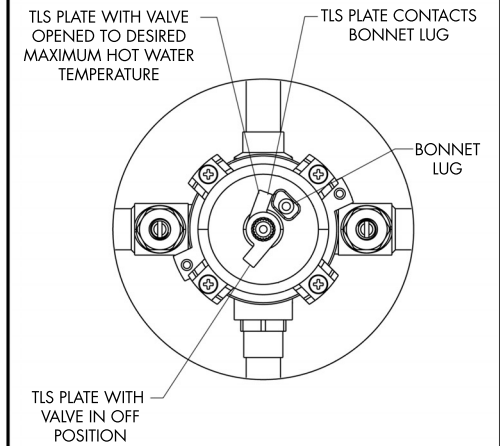


- 11** Turn on water supply and check all solder connections for leaks.

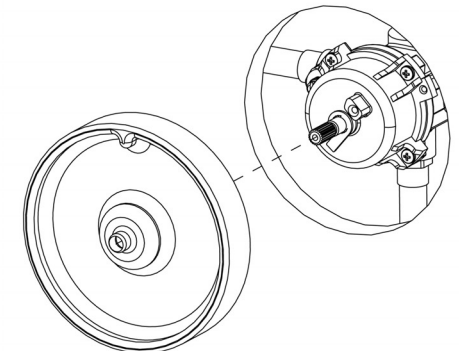


- 12** To limit the maximum hot water temperature the valve delivers, adjust the valve's temperature limit stop (TLS) plate.

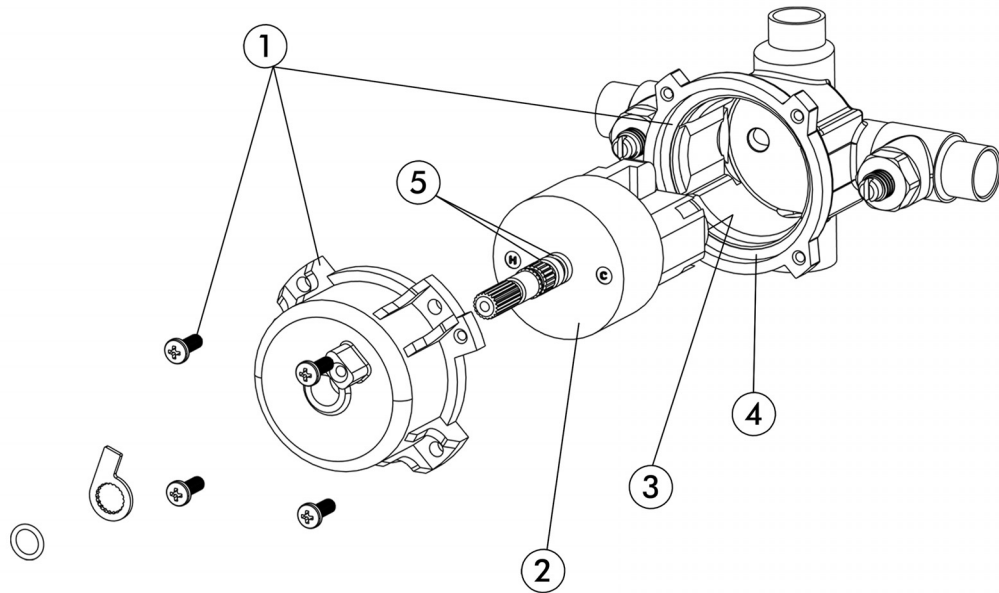
- 1 Slip the retaining O-ring and the TLS plate towards the end of the spindle.
- 2 Rotate the valve spindle clockwise to the maximum desired hot water temperature.
- 3 Position the TLS plate so it contacts the lug on the valve bonnet and therefore restricts the clockwise rotation of the spindle.
- 4 Slip the retaining O-ring back into the groove of the spindle to hold the TLS plate in place.
- 5 Rotate the spindle counter clockwise to the "Off" position.



- 13** Install rough-in template over valve to protect valve during final wall preparation.

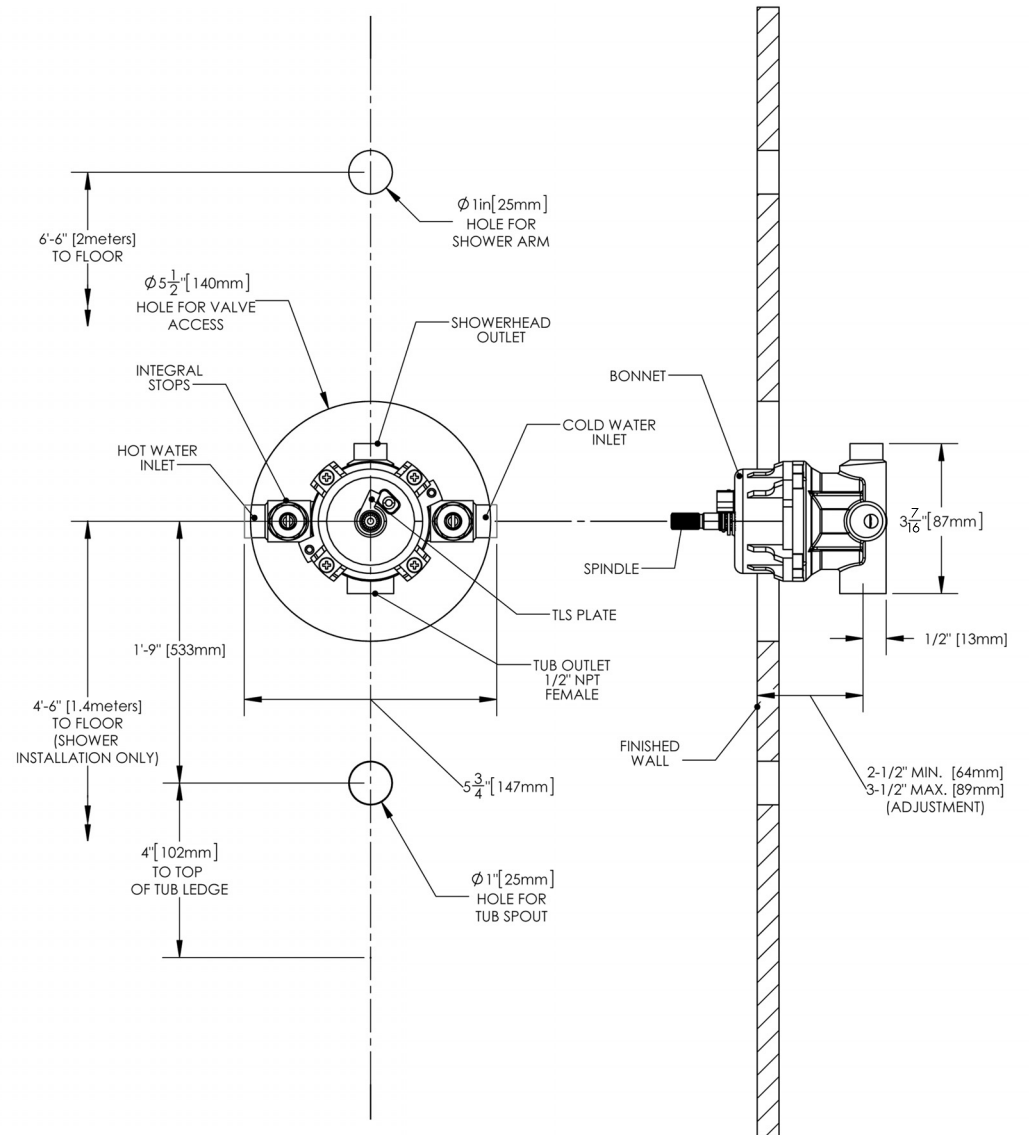


REPAIR PARTS



- ① RPG05-0718
4 SCREWS, BONNET, & BONNET O-RING
- ② RPG05-0884
CARTRIDGE
- ③ RPG49-0005
CARTRIDGE LOWER QUAD RINGS
- ④ RPG49-0126
BONNET O-RING
- ⑤ RPG49-0076
SPINDLE O-RINGS

ROUGH-IN

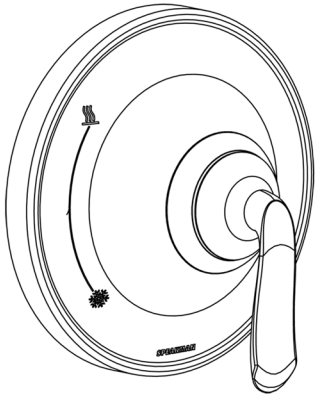


NOTES:

- ① ALL DIMENSIONS ARE IN INCHES (MILLIMETERS) UNLESS OTHERWISE SPECIFIED AND ARE SUBJECT TO CHANGE WITHOUT NOTICE.
- ② UNLESS OTHERWISE SPECIFIED ALL INLETS AND OUTLETS ARE 1/2" FEMALE COPPER SWEAT.
- ③ FOR ADA MOUNTING LOCATIONS, CONSULT ADAAG, ANSI A117.1, AND STATE REGULATIONS.

Instructions for Models:

CPT-7000-P
CPT-7000-P-BN
CPT-7000-P-PN



Need Help?

For additional assistance or service call:

SPEAKMAN Company
400 Anchor Mill Road
New Castle, DE 19720

PHONE: 800-537-2107
EMAIL: customerservice@speakmancompany.com
WEB: www.speakmancompany.com

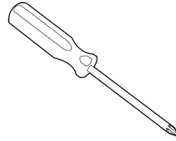
92-3268-R2

What You Need To Know:

Tools:

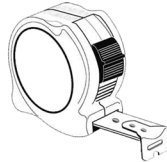
Required:

*Phillips Screwdriver



Helpful:

* Tape Measure



Important Notes:

Be sure to read instructions thoroughly before beginning installation. Do not overtighten any connections or damage may occur.

Be sure to have properly adjusted the Temperature Limiting Stop (TLS) as per the Valve Installation Instructions before installing Valve Trim.

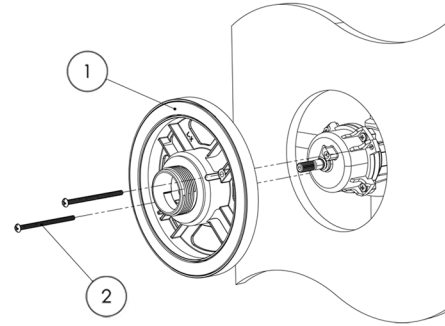
Safety Tips:

Cover your drain to prevent loss of parts.

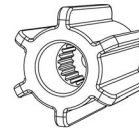
Maintenance:

Your new valve trim is designed for years of trouble-free performance. Keep it looking new by cleaning it periodically with a soft cloth. Avoid abrasive cleaners, steel wool, and harsh chemicals as these will dull the finish and void your warranty.

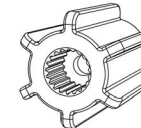
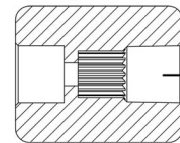
- 1** Clean wall surface. Place the mounting base (1) on to valve, align mounting holes, and secure with screws (2).



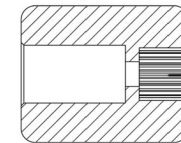
- 2** There are 2 Connectors (3) included to allow for both Shallow and Deep mount applications. Please select Connector appropriate for your installation.



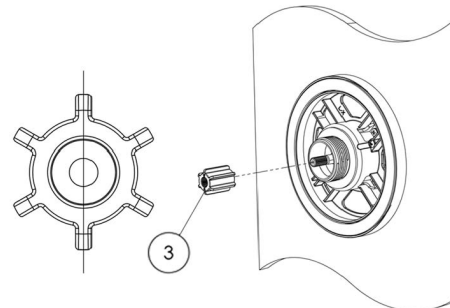
For Shallow Mount Application



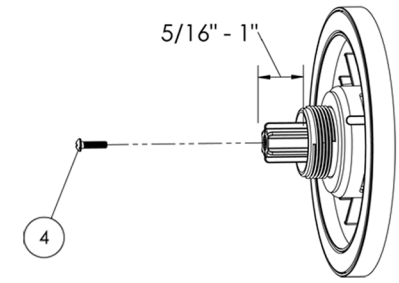
For Deep Mount Application



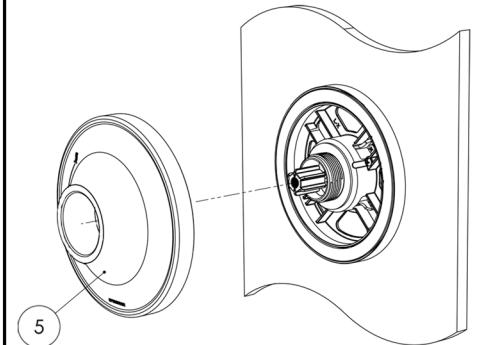
- 3** Confirm that valve is in the "off" position. Place appropriate Connector (3) on spindle of valve making sure to orient the Connector so that one set of splines are in a perfectly vertical position.



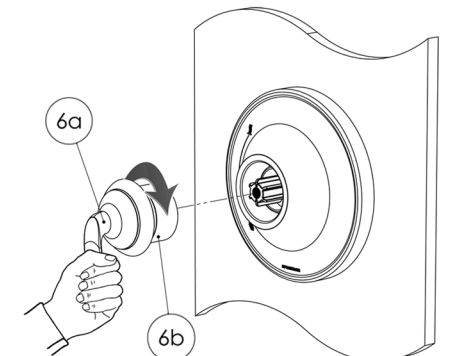
- 4** ***IMPORTANT*** When installed correctly, the Connector (3) should protrude from the Mounting Base in between 5/16" and 1". Secure with Screw (4).

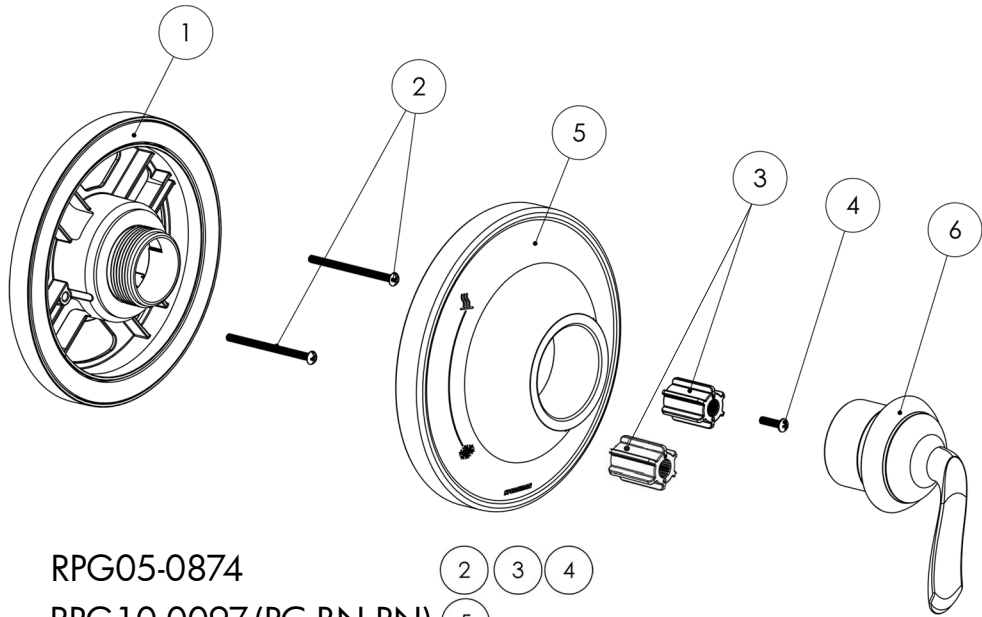


- 5** Place Escutcheon (5) on Mounting Base. Take care to orient Escutcheon as shown below.



- 6** Align Handle Assembly (6) with Connector and Escutcheon. Keep Handle (6a) in a stationary vertical position as you thread Handle Hub (6b) on Mounting Base. Tighten until snug.





RPG05-0874

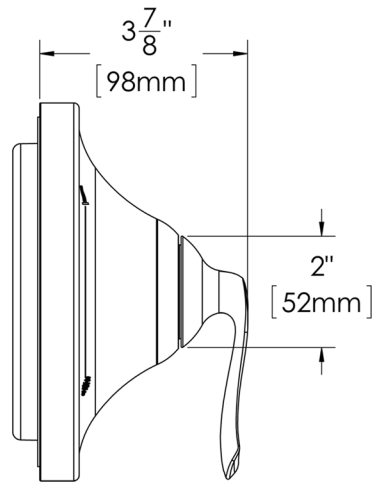
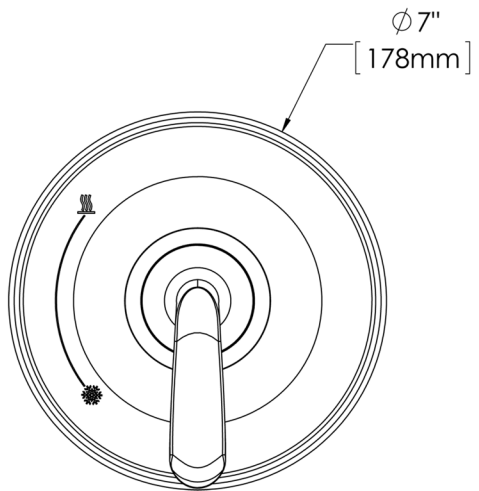
RPG10-0097-(PC,BN,PN)

RPG04-0391-(PC,BN,PN)

2 3 4

5

6



SPEAKMAN®

VS-3014 Installation, Operation & Maintenance Instructions ANYSTREAM® HAND-HELD SHOWER

DESCRIPTION

Polished chrome plated ANYSTREAM® S-3014 hand shower. Includes a five foot long hose and swivel ball bracket for shower arm mounting. Spray adjusting, 3-3/4" outer ring. 5 plunger nozzles resist scale build-up and provide 45 spray streams for a full body coverage pattern. Center core nozzle delivers a massage spray. Combination spray included. Water conserving pressure compensating AUTOFLO® device reduces flow to 2.5 GPM/9.46LPM maximum, to meet existing ASME A112.18.1 Standard. 1/2" NPT inlet.

SPECIFICATIONS

SUPPLY INLET: 1/2" NPT
FLOW RATE: 2.5 GPM/9.46LPM MAXIMUM
FLOW CONTROL: VARIABLE
SHIPPING WEIGHT: 1.43 LBS.

OPTIONS

- | |
|--|
| • BN – Brushed Nickel |
| • VS-3014-E2 – Low Flow Showerhead (2.0 GPM/ 7.6 LPM) |
| • VS-3014-BN-E2 – Low Flow Brushed Nickel Showerhead (2.0 GPM/ 7.6 LPM) |

INSTALLATION

Screw the swivel arm bracket onto the outlet shower arm. Install rubber washers in the ends of the hose. Turning in a clockwise direction, thread the hose swivel onto the threaded end of the swivel arm bracket and the other hose end onto the hand held shower. **IMPORTANT: One end of the hose is marked with ribs and a paper tab indicating this end MUST connect to the bracket. If not installed correctly there will be restricted flow.** Hand tighten firmly all connections. Turn the water supply on and check for leaks.

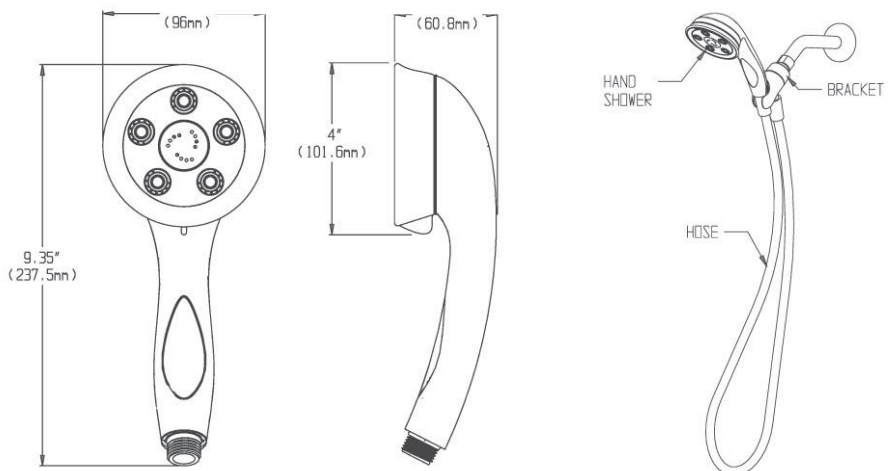
OPERATION

To adjust the spray pattern of the shower head, simply rotate the outer ring to the desired spray (Full-Body, Dual action or Massage). The outer ring can rotate 360°.

MAINTENANCE

The gleaming finish of your SPEAKMAN® hand shower can be cleaned by using mild soap and warm water. Dry immediately with a soft, clean cloth for best results. The flow control device limits water flow to 2.5 gallons per minute. The small orifices may become clogged with scale and other minerals found in potable water. To clean the flow regulator, simply remove the shower arm mount from the bent arm, pull out the rubber washer from the ball, dislodge the flow regulator and clean as necessary.

ROUGH-IN MEASUREMENTS



Product improvements may cause specification and dimensional changes without notice.

Note: Accessories shown.

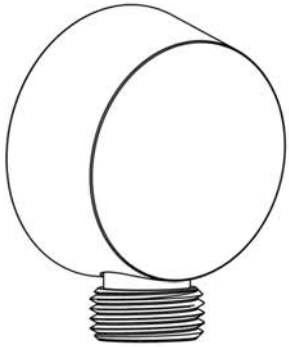
SPEAKMAN®

400 Anchor Mill Rd. New Castle, DE 19720 Phone: 800-537-2107
03/12 Visit us on the web at www.speakmancompany.com

Fax: 800-977-2747
IOM-VS-3014-R1

Instructions for Models:

VS-155
VS-155-BN
VS-155-PN



Need Help?

For additional assistance or service call:

SPEAKMAN Company
400 Anchor Mill Road
New Castle, DE 19720

PHONE: 800-537-2107
EMAIL: customerservice@speakmancompany.com
WEB: www.speakmancompany.com

92-3306-R2

What You Need To Know:

Tools:

Required:

*Teflon Tape



Important Notes:

Be sure to read instructions thoroughly before beginning installation. Do not overtighten any connections or damage may occur.

Safety Tips:

Cover your drain to prevent loss of parts.

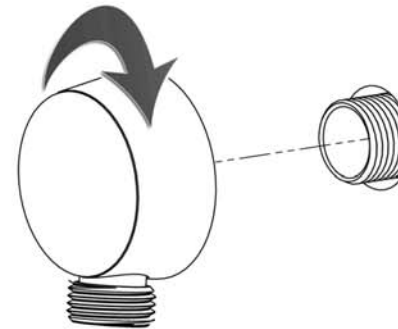
Maintenance:

Your new Supply Ell is designed for years of trouble-free performance. Keep it looking new by cleaning it periodically with a soft cloth. Avoid abrasive cleaners, steel wool, and harsh chemicals as these will dull the finish and void your warranty.

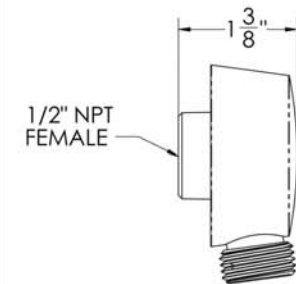
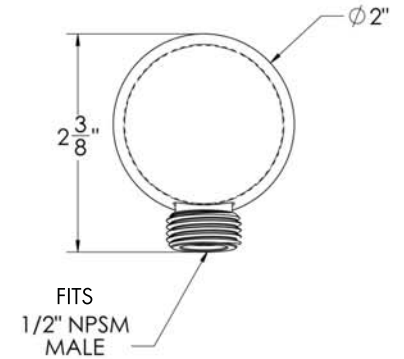
① Apply Teflon Tape to 1/2" Outlet Pipe.



② Screw Supply Ell on to 1/2" Pipe. Make sure to firmly tighten.



③ Connect accessories to Supply Ell and firmly hand tighten. Turn on water supply and check for leaks.

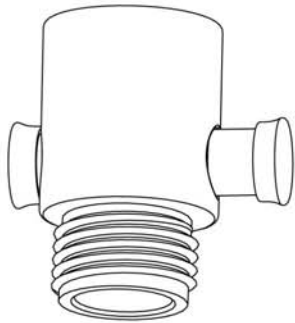


Specifications:

Supply Inlet: 1/2" NPT FEMALE
Outlet: FITS 1/2" NPSM MALE

Instructions for Models:

VS-156
VS-156-BN



Need Help?

For additional assistance or service call:

SPEAKMAN Company
400 Anchor Mill Road
New Castle, DE 19720

PHONE: 800-537-2107
EMAIL: customerservice@speakmancompany.com
WEB: www.speakmancompany.com

92-3431-R1

What You Need To Know:

Tools:

Helpful:

Teflon
Tape



Important Notes:

Be sure to read instructions thoroughly before beginning installation. Do not overtighten any connections or damage may occur.

Safety Tips:

Cover your drain to prevent loss of parts.

Maintenance:

Keep the Volume Control looking new by cleaning it periodically with a soft cloth. Avoid abrasive cleaners, steel wool, and harsh chemicals as these will dull the finish and void your warranty.

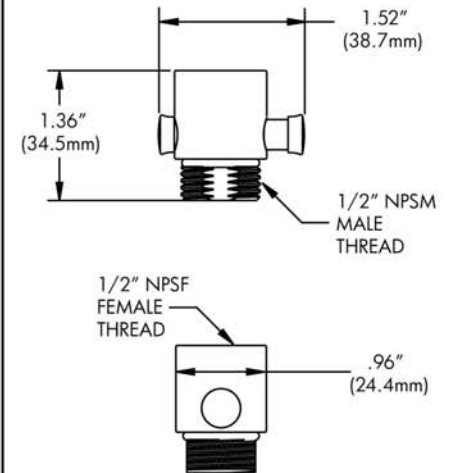
- 1 Turn off water supply. Remove hose from existing Handheld Showerhead.



- 2 Insert proper washer to ensure no leaking occurs from Volume Control to Handheld Shower connections (multiple washers are included for various types of installations). Screw on Volume Control to Handheld Shower and hand tighten.



- 3 Thread hose onto inlet port of Volume Control and hand tighten. Turn on water supply and check for leaks. If leaks are present, disassemble all connections and apply Teflon Tape. Re-assemble.

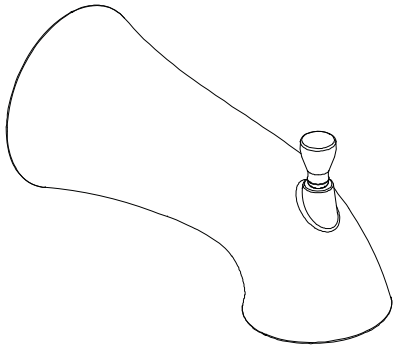


Specifications:

Supply Inlet: 1/2" NPSM MALE
Outlet: 1/2" NPSF FEMALE

Instructions for Models:

S-1562
S-1562-BN
S-1562-PN



Need Help?

For additional assistance or service call:

SPEAKMAN Company
400 Anchor Mill Road
New Castle, DE 19720

PHONE: 800-537-2107
EMAIL: customerservice@speakmancompany.com
WEB: www.speakmancompany.com

92-3320-R1

What You Need To Know:

Tools:

Required:

*Allen Wrench (Included)

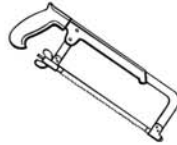


Helpful:

* Tubing Cutter



* Hacksaw



* Protective Eye Wear



Important Notes:

Be sure to read instructions thoroughly before beginning installation. Do not overtighten any connections or damage may occur.

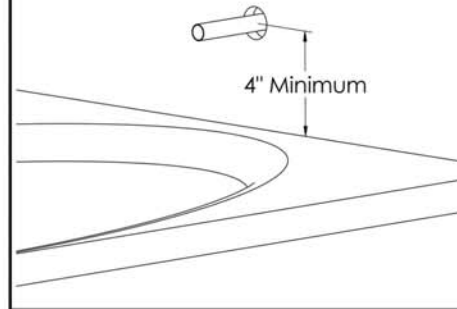
Safety Tips:

Cover your drain to prevent loss of parts.
Be sure to wear eye protection while cutting pipe.

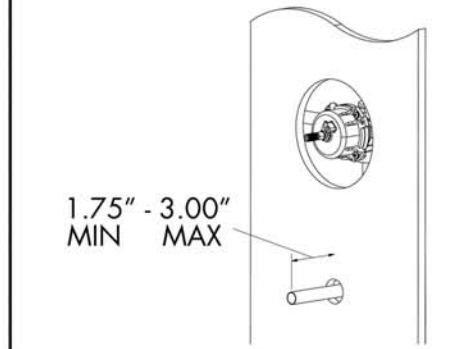
Maintenance:

Your new Tub Spout is designed for years of trouble-free performance. Keep it looking new by cleaning it periodically with a soft cloth. Avoid abrasive cleaners, steel wool, and harsh chemicals as these will dull the finish and void your warranty.

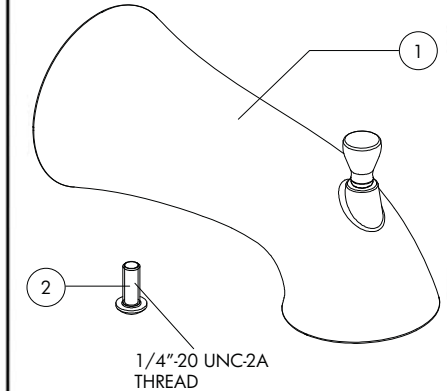
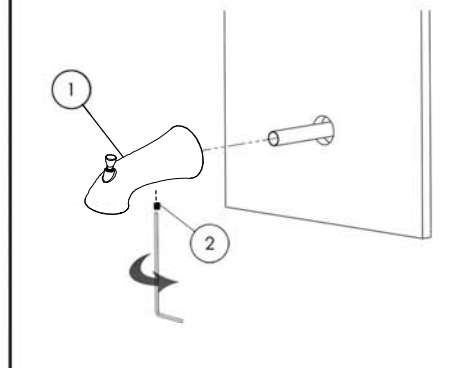
- ① The minimum distance between the center off the tub spout and the rim of the tub should be no less than 4".



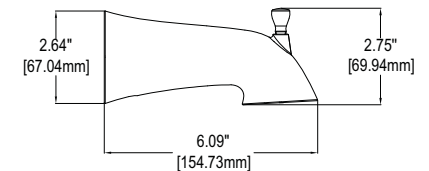
- ② The stub out for the 1/2" pipe should extend a minimum of 1.75" from the wall, but not to exceed 3" from wall. Remove all burrs and sharp edges from the stub out 1/2" pipe.



- ③ Slide spout (1) over exposed stub out pipe until flush to wall. Center the spout (1) on the wall and tighten set screw (2) from underneath with Allen wrench

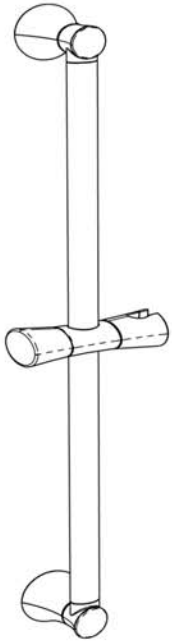


② 1/4"-20 UNC-2A
THREAD



Instructions for Models:

SA-1202
SA-1202-BN
SA-1202-PN



Need Help?

For additional assistance or service call:

SPEAKMAN Company
400 Anchor Mill Road
New Castle, DE 19720

PHONE: 800-537-2107
EMAIL: customerservice@speakmancompany.com
WEB: www.speakmancompany.com

92-3278-R2

What You Need To Know:

Tools:

Required:

*Phillips Screwdriver



*Pencil



*Drill with 1/4" Bit



Helpful:

* 1/4" Tile Drill Bit



*Level



Important Notes:

Be sure to read instructions thoroughly before beginning installation. Do not overtighten any connections or damage may occur.

Safety Tips:

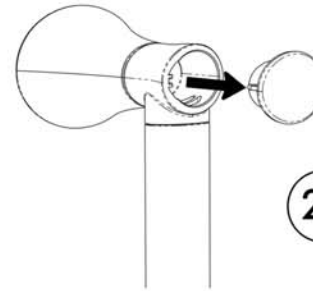
This item is **NOT** designed for use as a grab bar. Do not mount in locations where product is likely to be used as a grab bar.

Use caution when drilling into walls to avoid electrical and plumbing lines hidden within wall.

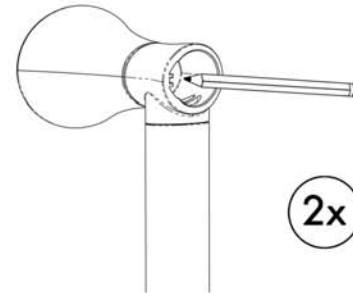
Maintenance:

Clean with a soft, damp cloth only. Do not use scrub pads, detergents or cleansers as they may harm the protective finish of your Slide Bar

1 Remove end caps from both ends of Slide Bar assembly.



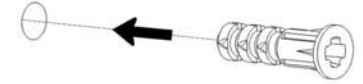
2 Place Slide Bar assembly on to wall in the desired mounting position. Take care that the Slide Bar is mounted in a vertical position. Using a pencil, mark drill hole locations for both end brackets.



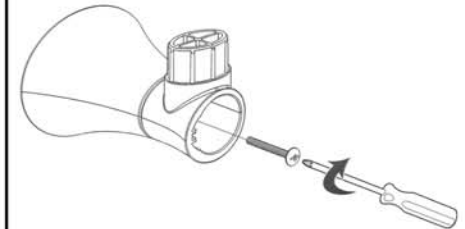
3 Drill 1/4" hole in marked locations. If drilling into tile, be sure to use a drill bit designated for tile. If mounting directly into stud or wood wall, secure lower end bracket to wall with mounting screws without drilling holes.



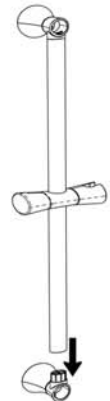
4 Insert plastic anchors into drilled holes and press in until flush with wall.



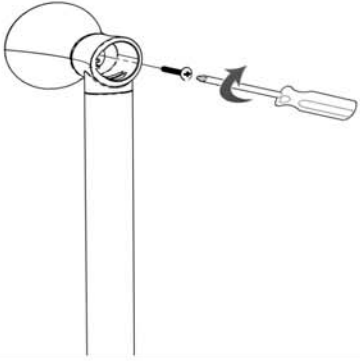
5 Separate Lower End Bracket from Slide Bar Assembly. Secure lower End Bracket to wall using Phillips Screwdriver.



6 Instal Slide Bar Assembly to mounted Lower End Bracket.



7 Align Upper Bracket to Plastic Anchor. Secure Upper Bracket to wall using Phillips Screwdriver.



8 Re-install End Caps removed in Step 1.

