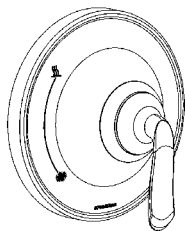


SPEAKMAN CASPIAN™

Shower Combination SM-7030-P & SM-7010-P

SPECIFICATION



FEATURES:

- Contemporary style
- S-3014 showerhead
- S-2500 shower arm & flange
- SM-7000-P pressure balance shower valve & trim
- SM-7030-P with S-1562 diverter tub spout with slip-fit connection
- SM-7010-P without S-1562 diverter tub spout

COMPLIANCE:

- Certified to ASME A112.18.1/CSA B125.1 and ASSE 1016 standards



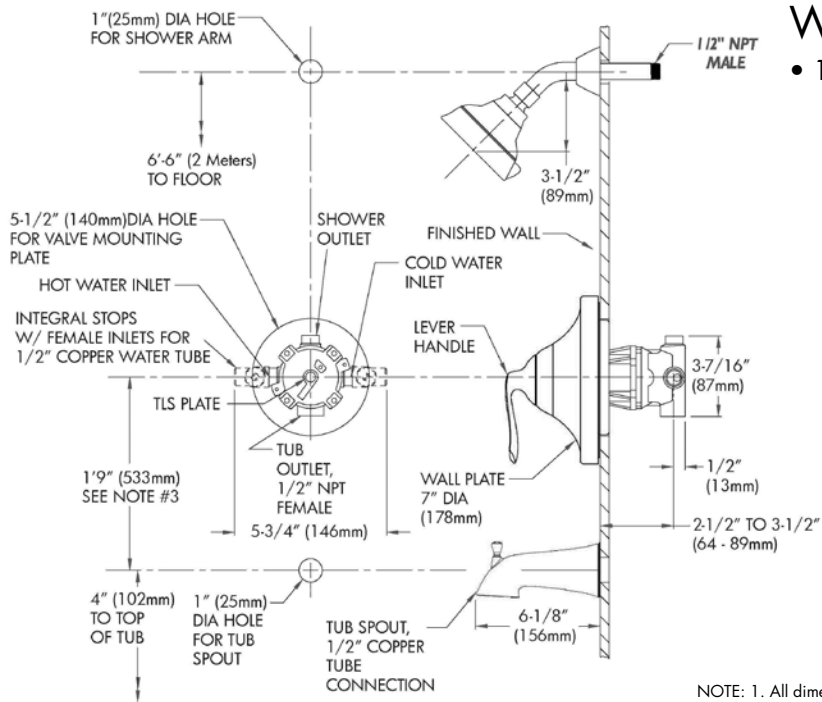
AVAILABLE FINISHES:

ADD SUFFIX TO MODEL #

- Polished Chrome (standard)
- Brushed Nickel -BN
- Polished Nickel -PN

WARRANTY:

- 1 year limited



NOTE: 1. All dimensions are in inches (millimeters) unless otherwise specified and are subject to change without notice. 2. Unless otherwise specified, all inlets and outlets are 1/2" female copper sweat. 3. For ADA mounting locations, consult ADAAG, ANSI A117.1, or static regulations

THIS SPACE FOR ARCHITECT/ENGINEER APPROVAL.

SPEAKMAN®

400 ANCHOR MILL ROAD | NEW CASTLE, DE 19720
 P: 800-537-2107 | F: 800-977-2747
 WWW.SPEAKMANCOMPANY.COM



REVISION DATE: JULY 2012