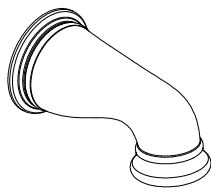
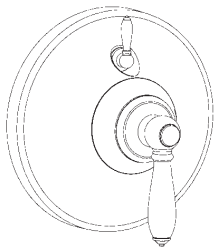
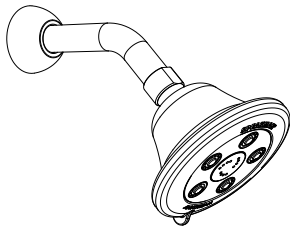


SPEAKMAN ALEXANDRIA™

Shower Combination SM-6430-P & SM-6410

SPECIFICATION



FEATURES:

- Traditional style
- S-3011 showerhead
- S-2500 shower arm & flange
- SM-6400-P pressure balance shower valve with diverter & trim
- SM-6430-P with S-1559 diverter tub spout with slip-fit connection
- SM-6410-P without S-1559 diverter tub spout

COMPLIANCE:

- Certified to ASME A112.18.1/CSA B125.1 and ASSE 1016 standards

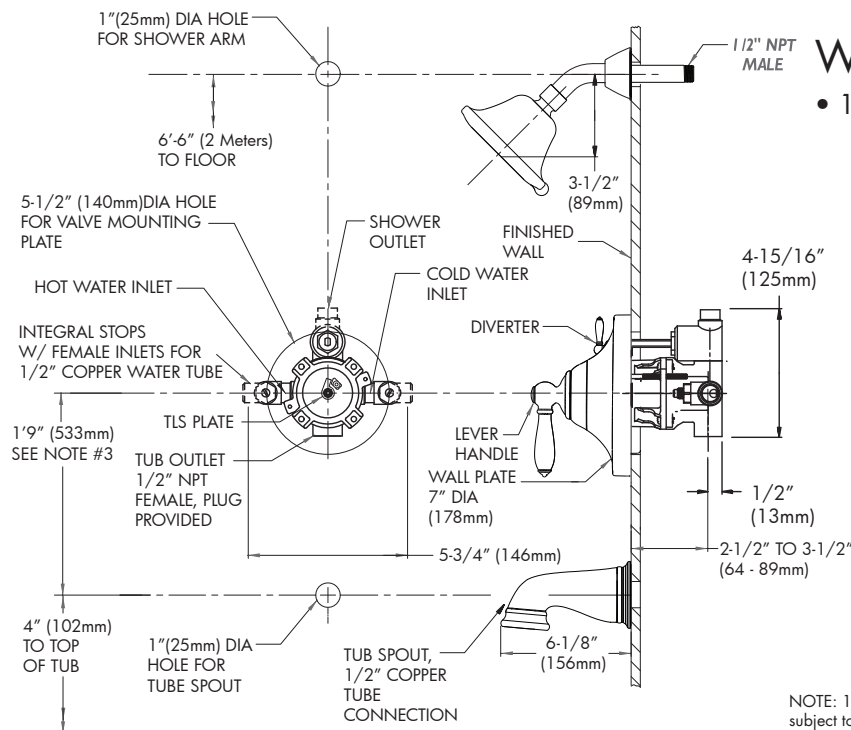
AVAILABLE FINISHES:

ADD SUFFIX TO MODEL #

- Polished Chrome (standard)
- Brushed Nickel -BN

WARRANTY:

- 1 year limited



NOTE: 1. All dimensions are in inches (millimeters) unless otherwise specified and are subject to change without notice. 2. Unless otherwise specified, all inlets and outlets are 1/2" female copper sweat. 3. For ADA mounting locations, consult ADAAG, ANSI A117.1, or static regulations

THIS SPACE FOR ARCHITECT/ENGINEER APPROVAL.

SPEAKMAN®

400 ANCHOR MILL ROAD | NEW CASTLE, DE 19720
 P: 800-537-2107 | F: 800-977-2747
 WWW.SPEAKMANCOMPANY.COM



REVISION DATE: FEB. 2012