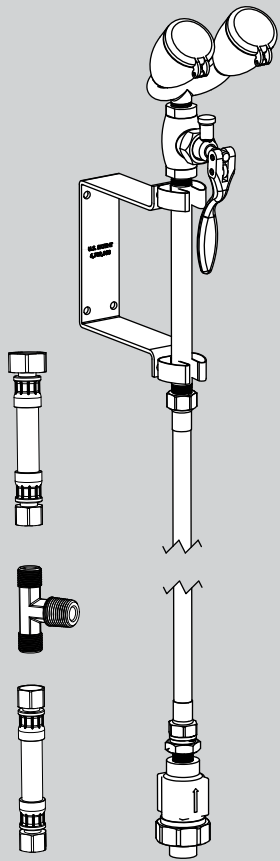


INSTRUCTIONS FOR MODELS

SEF-9200-ILR



NEED HELP?

For additional assistance or service please contact:

SPEAKMAN® Company
400 Anchor Mill Road
New Castle, DE 19720

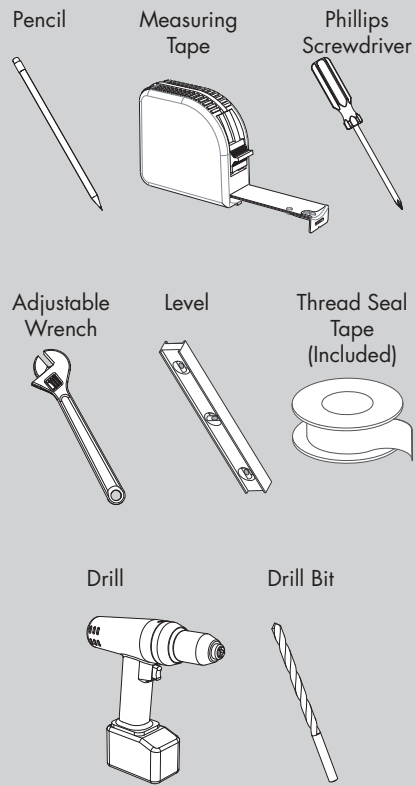
800-537-2107

customerservice@speakman.com

www.speakman.com

92-SEF-9200-ILR

TOOLS AND SUPPLIES



IMPORTANT

Be sure to read instructions thoroughly before beginning installation. Do not over tighten any connections or damage may occur. The supply line for plumbed eyewash units shall provide an uninterrupted supply of flushing fluid at a minimum of 35 psi flowing pressure. Be sure to take in consideration any pressure drop from Thermostatic Mixing Valve. If a shut off valve is installed in the cold supply line of the sink fitting (which supplies the eyewash) for maintenance purposes, provisions shall be made to prevent unauthorized shut off. ANSI Z358.1 requires that all emergency equipment shall be tested weekly to verify proper operation and inspected annually to assure conformance with ANSI Z358.1-2009 requirements.

IMPORTANT SAFETY TIPS

Cover your drain to prevent loss of parts. Be sure to wear eye protection while cutting pipe.

MAINTENANCE

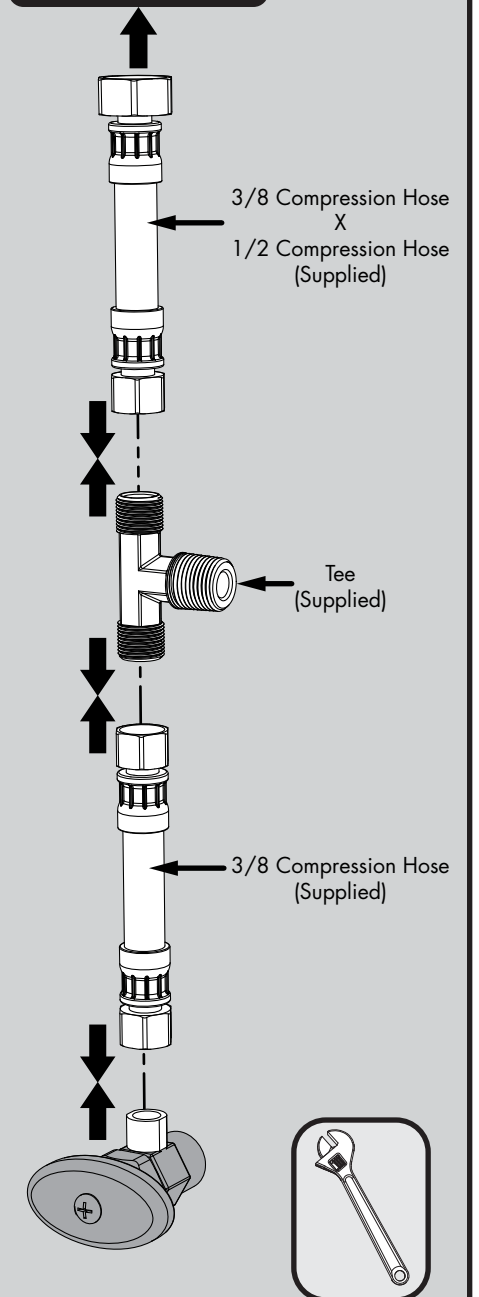
The eyewash valve has a rubber seat washer, which may require periodical maintenance. The eyewash unit can be cleaned using a mild soap and warm water solution. Rinse thoroughly and dry immediately with a soft, clean cloth for best results.

WARRANTY

Additional warranty information can be found at: www.speakman.com

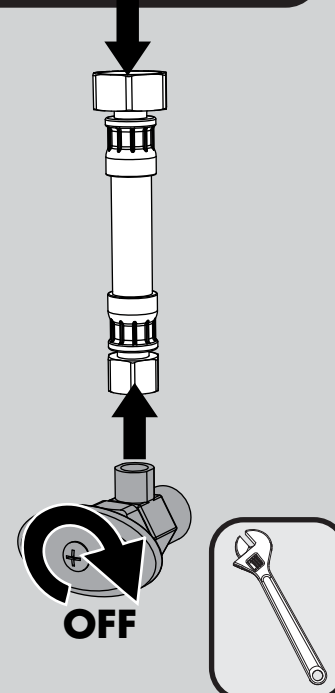
2 Install the 3/8 compression hose, tee, and the 3/8 x 1/2 compression hose. Wrench tighten connections.

To Faucet COLD Inlet

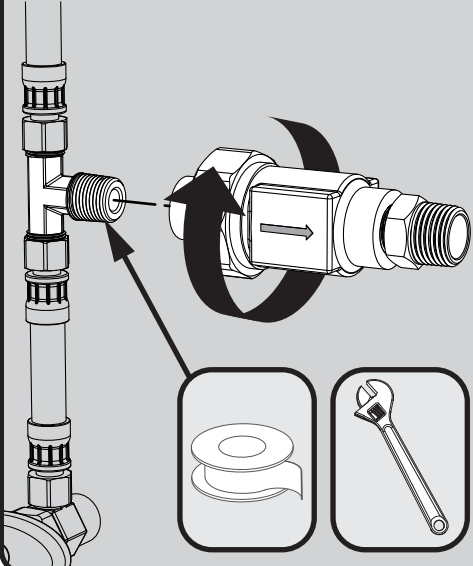


1 Turn the COLD water stop to the OFF position. Remove the cold water riser pipe or hose from cold water stop and faucet. This cold water riser pipe or hose will not be reused during this installation.

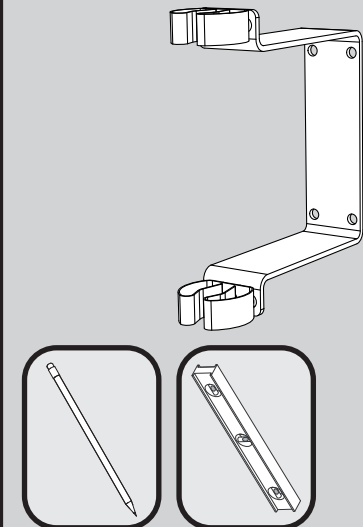
Disconnect from Faucet COLD Inlet



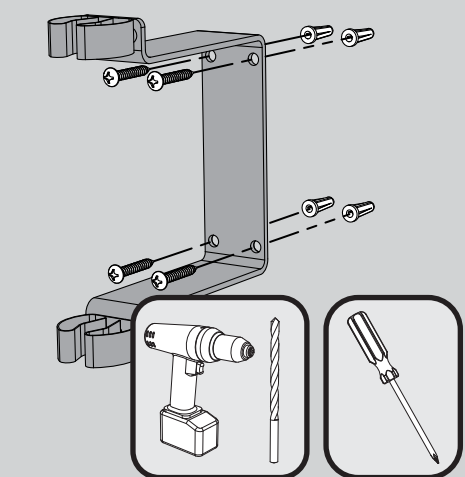
3 Apply Thread Seal Tape to outlet port of Tee in a clockwise direction. Install Vacuum Breaker to Tee. Ensure Arrow on Vacuum Breaker is pointing away from Tee. Wrench tighten connection.



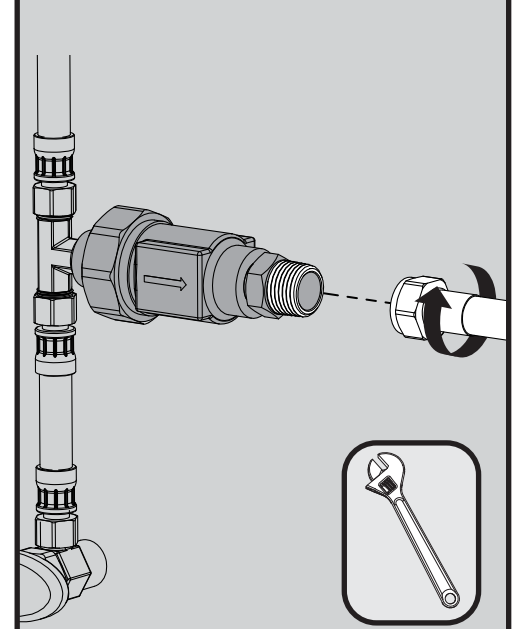
4 After reviewing the Roughing In Diagram, select a suitable location for installation. Using the Mounting Bracket as a template, transfer mounting locations to wall using a pencil. Be sure Bracket is level and plum.



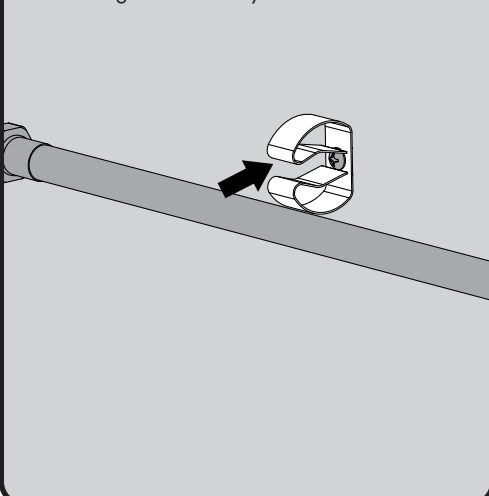
5 If mounting into wood, use included Mounting Screws to secure Bracket directly to wall. If mounting to drywall, select drill bit slightly smaller than Wall Anchors and drill holes in marked locations. Insert Wall Anchors into wall and ensure they are flush with the wall surface. Secure Bracket to Wall Anchors with the included Mounting Screws.



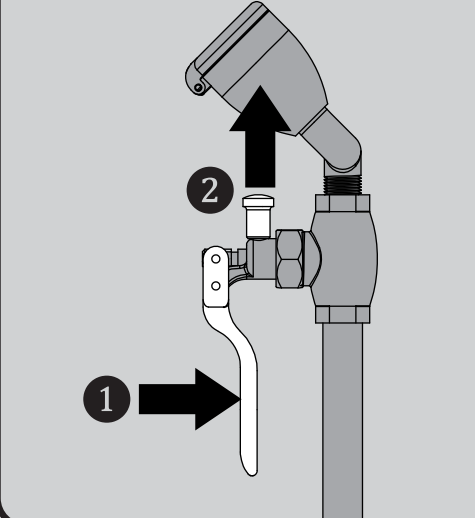
6 Connect Eyewash Hose to Vacuum Breaker. Wrench tighten connection.



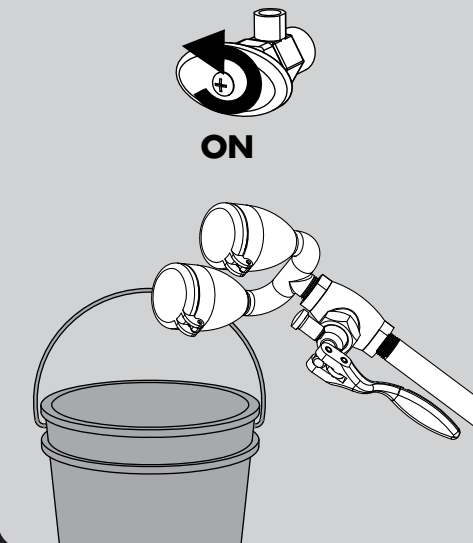
7 Ensure that Eyewash Hose is free from kinks and twists. We've included an additional Hose Clip to secure any additional slack in hose. Mount Hose Clip in most appropriate location for your installation. Use included Nylon Ties to position and secure supply hoses and fittings as necessary.



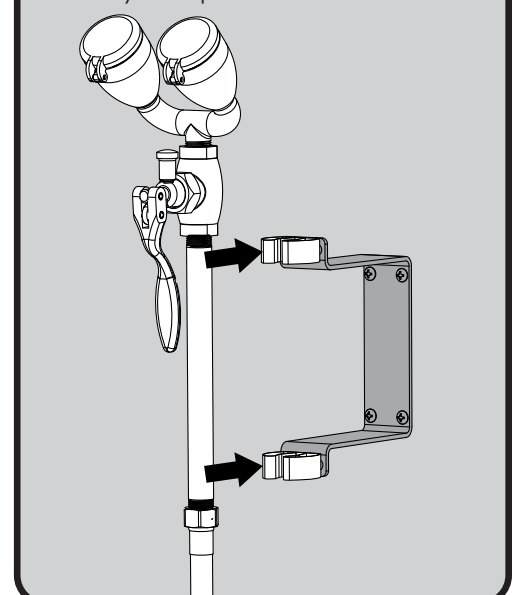
8 The eyewash is activated by squeezing the Activation Handle (1) until it locks into the ON position. To deactivate, the Handle is squeezed while lifting the Stay-Open Plunger (2). While Stay-Open Plunger (2) is lifted, release Activation Handle (1) to deactivate unit.

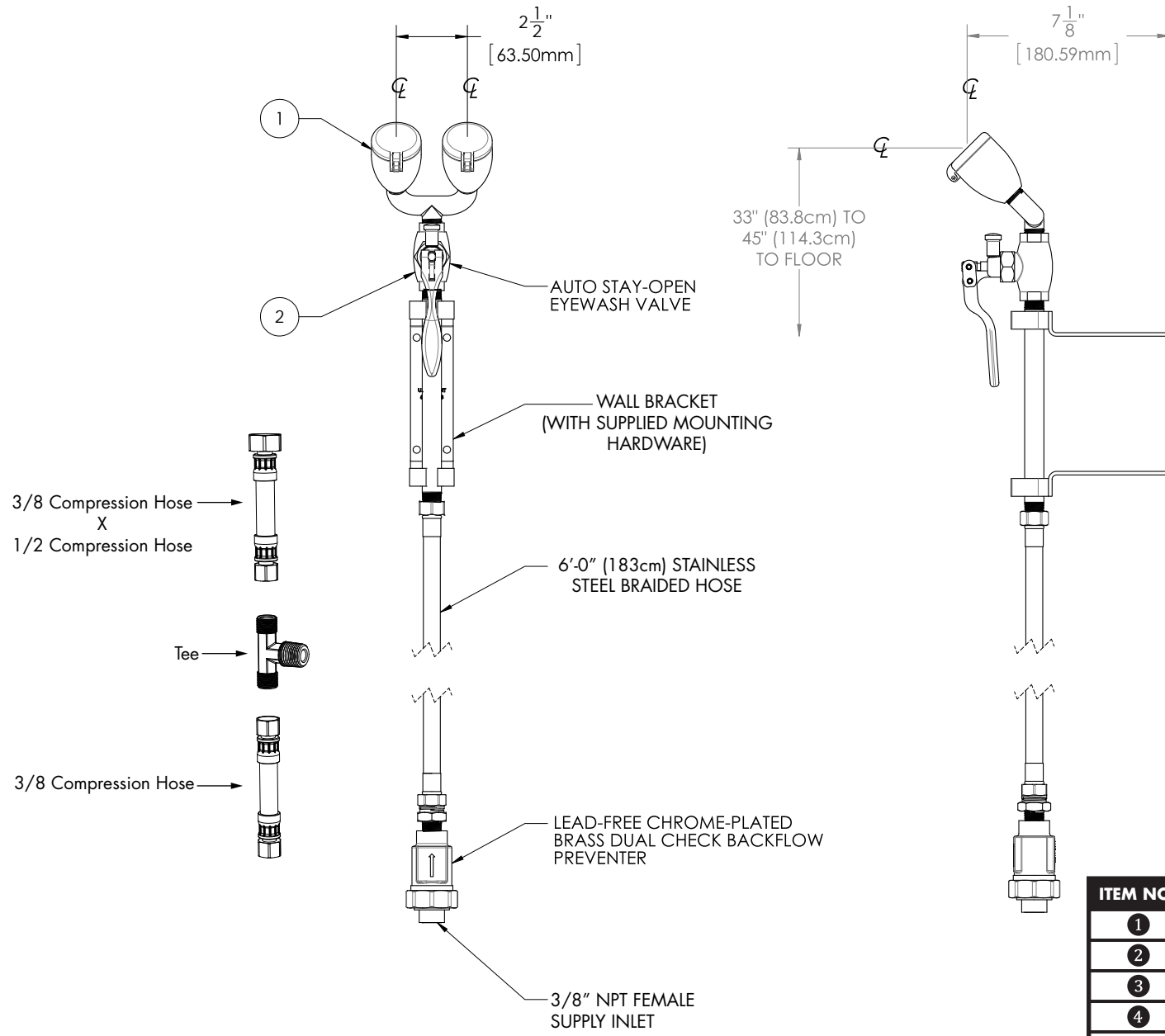


9 Verify that the Eyewash Valve is in the OFF position. Turn ON COLD water supplies and check for leaks. Point Eyewash Unit downward into sink or bucket and test activate unit. Deactivate Eyewash as shown in STEP 8.



10 Place Eyewash into Bracket with Spray Heads facing outward. Install included sign in an appropriate location to advise others of Eyewash presence.





REPAIR PARTS

ITEM NO.	PART NO.	DESCRIPTION
1	RPG38-0390	YELLOW SPRAY HEAD ASSEMBLY
2	RPG45-0033	RUBBER SEAT WASHER AND SCREW
3	RPG07-0104	YELLOW FLIP CAP (QTY 20)
4	RPG20-1742	SELF CLOSING ACTIVATION VALVE
5	RPG05-2200	DIFFUSER - OPEN CELL FOAM (QTY 24)
6	RPG20-2021	VACUUM BREAKER

DIMENSIONS SUBJECT TO CHANGE WITHOUT NOTICE.