

SPEAKMAN®

SE-579-SD

Installation, Operation & Maintenance Instructions

EYESAVER® EYEWASH

DESCRIPTION

Deck mounted emergency eyewash. Supplied with stay-open full flow valve; activated by pulling arms down.

SPECIFICATIONS

SPRAY HEADS: (2) BRASS, CHROME-PLATED, AERATED

VALVE: BRASS, CHROME-PLATED

ACTIVATOR: PULL DOWN ARMS

INLET: 1/2" NPT FEMALE

SHIPPING WEIGHT: 5 LB

EMERGENCY SIGN: 7-7/8" X 7-7/8" PLASTIC WALL SIGN

OPTIONS:

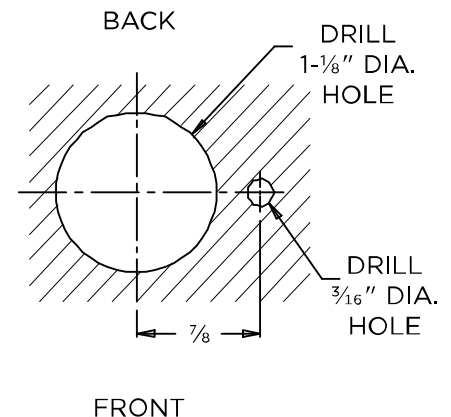
AL2	Electrical Alarm
AL3	Electrical Alarm
AL2-C1D2	Electrical Alarm / Haz. Area

AL3-C1D2	Electrical Alarm / Haz. Area
FLW	Flow Switch
VPL-C1D2	Vapor Proof Light

INSTALLATION

NOTE: This unit should be connected to an uninterrupted source of potable water, with a minimum flowing pressure of 20 PSI and a maximum static pressure of 125 PSI.

Review drawing to assure proper installation. At desired location, drill a 1-1/8" diameter hole through countertop (1-1/4" thick max.). Be sure the hole is drilled as straight as possible. Drill a second 3/16" dia. alignment hole 7/8" from the center of the other hole. Attach eyewash to countertop using supplied hardware, and connect a water supply to unit that is a 1/2" minimum uninterrupted source of potable water (use pipe sealant on connection). Failure to use potable water can result in emergency units producing impure or contaminated water causing possible further injury. This unit is supplied with a volume control that can control the amount of water delivered, even at high pressures. This should be adjusted when unit is completely installed so the streams from spray outlets converge in the middle.



OPERATION

The eyewash is activated by pulling the arms down 90°. Once the unit is activated, water will discharge from the spray outlets until the arms are manually pushed back to the off position.

MAINTENANCE

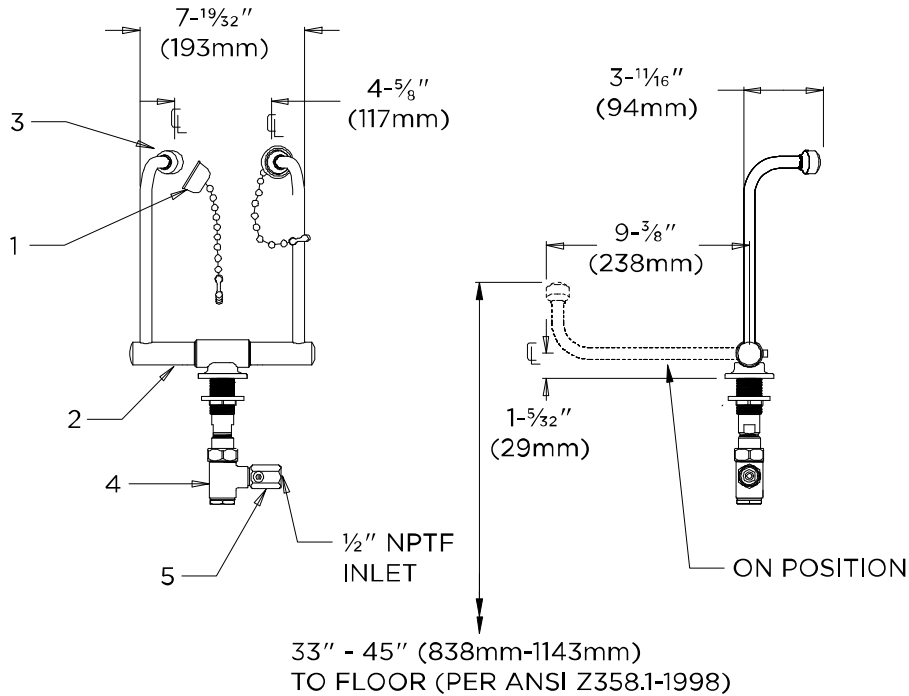
The valve, eyewash and strainer assembly are the only portions of the unit that may require maintenance. Should you need parts to repair this unit, please reference the parts listing below for correct part numbers. Before any maintenance is done be sure to shut the water supply off.

SPEAKMAN®

TESTING PROGRAM

The American National Standards Institute (ANSI) states that all safety emergency equipment shall be activated on a weekly basis to flush the line and verify proper operation. Speakman Company furnishes a testing record tag (91-0635) with each unit. On this tag the date of inspection and the inspectors initials should be noted.

ROUGH-IN



Note: All units meet existing ANSI Z358.1 Standards and OSHA Rules. Product improvements may cause specification and dimensional changes without notice.

FLOW DATA

EYEWASH:

FLOW PRESSURE PSI (BAR)	20 (1.38)
FLOW RATE GPM (LPM)	3 (11)

REPLACEMENT/REPAIR PARTS

ITEM	PART/GROUP #	DESCRIPTION
1	RPG05-0679-MO	(2) Dust Cap Assembly
2	G20-1891-RCP	Deck Mounted Eyewash
3	RPG05-1177	(6) Aerator Assembly
4	RPG21-0082-PC-P	Strainer Assembly
5	RPG20-1720-RCP	Volume Control
N/S	RPG05-0673	Internal O-Rings and Screws

WARNING: Use only genuine Speakman parts when repairing or replacing components. To order parts call 1-800-537-2107.

SPEAKMAN®