

SPEAKMAN COMPANY

SE-575-SD-ADA Installation, Maintenance & Operation Instructions

EYESAVER® EYE/FACE WASH

DESCRIPTION

Barrier-Free wall mounted emergency eye/face wash. Activated by pulling arms down, and supplied with a cabinet flush with wall to keep corridors free from obstruction.

SPECIFICATIONS

SPRAY HEADS: (2) Brass, Chrome-Plated, Non-Aerated.

VALVE: Brass, Chrome-Plated.

ACTIVATOR: Pull Down Arms.

INLET: 1/2" NPT Female.

CABINET: Stainless Steel with Satin Finish.

SHIPPING WEIGHT: 15 lb.

OPTIONS

◇ AL2 (Electrical Alarm)	◇ FLW (Flow Switch)
◇ AL3 (Electrical Alarm)	◇ SGN4 (Eye Wash Floor Sign)
◇ AL2-C1D2 (Electrical Alarm / Haz. Area)	◇ VPL (Vapor Proof Light)
◇ AL3-C1D2 (Electrical Alarm / Haz. Area)	◇

INSTALLATION

Review drawing (as shown on other side) to assure proper location before installing this unit. Once desired location is known, measure the back portion of cabinet that will be recessed in wall. Cut rough opening in wall to those measurements, making sure there are suitable structures (stud, etc.) on each side of cabinet. Making sure unit is level, use appropriate wall anchors (4) to secure unit to wall. Connect a water supply to the unit that is a 1/2" minimum uninterrupted source of potable water. Failure to use potable water can result in emergency units producing impure or contaminated water causing possible further injury. This unit is supplied with a volume control that can control the amount of water delivered, even at high pressures. This should be adjusted when unit is completely installed so that streams from spray outlets converge in the middle.

OPERATION

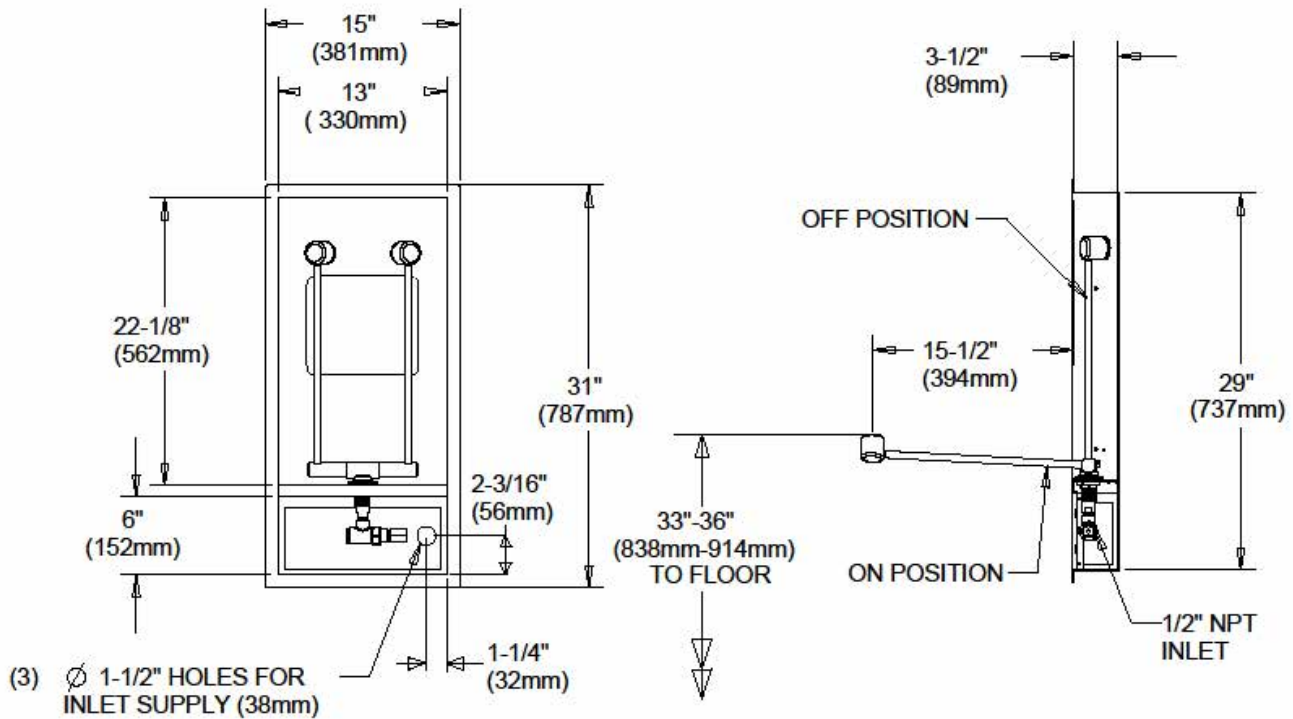
The eye/face wash is activated by pulling the arms down 90°. Once the unit is activated, water will discharge from the spray outlets until the arms are manually pushed back to the off position.

TESTING PROGRAM

The American National Standards Institute (ANSI) states that all safety emergency equipment shall be activated on a weekly basis to flush the line and verify proper operation. Speakman Company furnishes a testing record tag (91-0635) with each unit. On this tag the date of inspection and the inspectors initials should be noted.

MAINTENANCE

The valve, eye/face wash and strainer assembly are the only portions of the unit that may require maintenance. Should you need parts to repair this unit, please reference the parts listing below for correct part numbers. Before any maintenance is done ***be sure to shut the water supply off.***



SE-575-SD-ADA REPLACEMENT/REPAIR PARTS

<u>ITEM</u>	<u>PART/GROUP #</u>	<u>DESCRIPTION</u>
1	G20-1987-RCP	Swing Down Eye/Face Wash Valve Assembly
2	RPG05-0647	(2) Dust Cap Assembly
3	G21-0082-PC-P	Strainer Assy.
5	G20-1720-RCP-P	Volume Control

WARNING: Use only genuine Speakman parts when repairing or replacing components. To order parts call 1-800-537-2107

* FOR REPLACEMENT OF INTERNAL O-RINGS AND SCREWS ORDER REPAIR PART RPG05-0673.

FLOW DATA

EYEWASH:

FLOW PRESSURE PSI (BAR)	20 (1.38)
FLOW RATE GPM (LPM)	3 (11)

Note: All units meet existing ANSI Z358.1 1998 Standards and OSHA Rules. Product improvements may cause specification and dimensional changes without notice.

NOTE: This unit should be connected to an uninterrupted source of potable water, with a minimum flowing pressure of 30 PSI and a maximum static pressure of 125 PSI.

SPEAKMAN®
 PO Box 191 Wilmington, DE 19899 Phone: 800-537-2107 Fax: 800-977-2747
 Visit us on the web at www.speakmancompany.com