

SPEAKMAN® SE-577-SD

Laboratory Swing Down Activated Eyewash

FEATURES:

- Wall mounted
- (2) brass, chrome plated, aerated spray heads
- Brass, chrome-plated valve
- Pull down activated
- ½ in. NPT male inlet
- Dust caps
- 3.1 gpm @ 30 psi
- Universal emergency sign included

FINISHES:



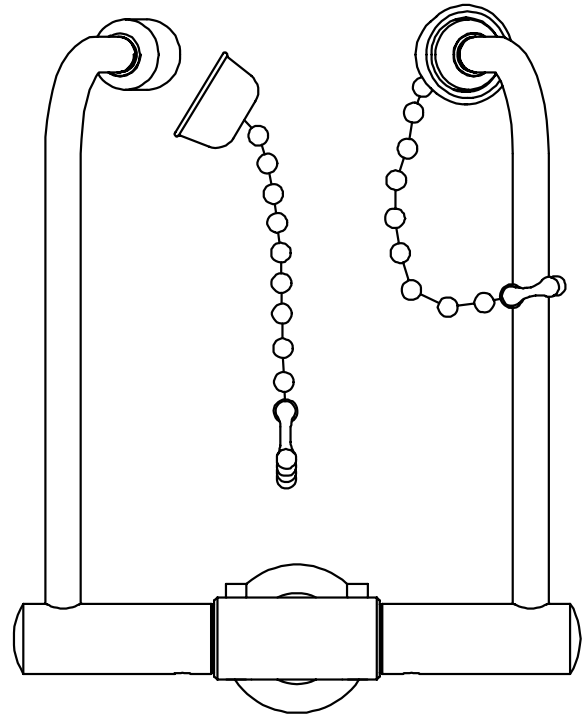
Chrome

COMPLIANCE:

- ANSI/ISEA Z358.1 certified

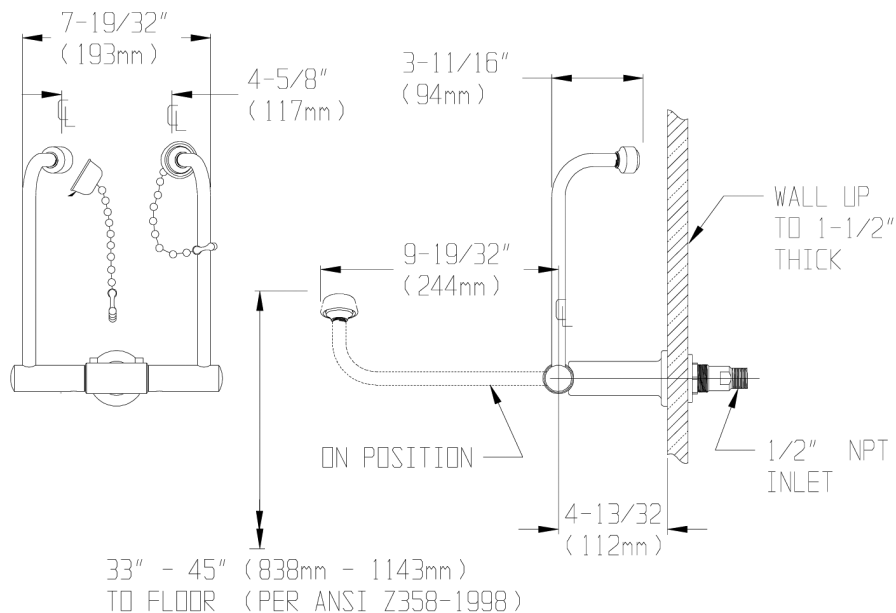
WARRANTY:

- 3 year limited



DIMENSIONS:

NOTE: 1. All dimensions are in inches (millimeters) unless otherwise specified and are subject to change without notice.



Architect/Engineer Approval Space:

SPEAKMAN
400 ANCHOR MILL ROAD
NEW CASTLE, DE 19720

P: 800-537-2107
F: 800-977-2747
W: WWW.SPEAKMAN.COM
R: FEBRUARY 2018