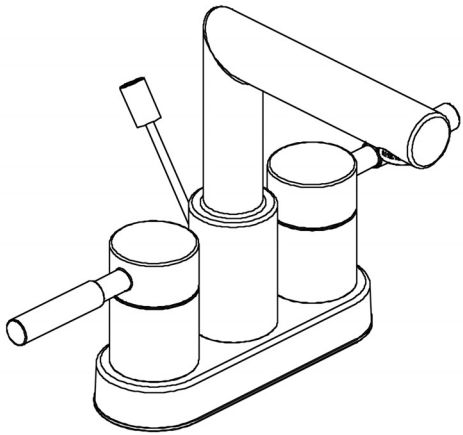


Instructions for Models:

SB-1011
SB-1011-BN
SB-1011-PN



Need Help?

For additional assistance or service call:

SPEAKMAN Company
400 Anchor Mill Road
New Castle, DE 19720

PHONE: 800-537-2107
EMAIL: customerservice@speakmancompany.com
WEB: www.speakmancompany.com

92-3333-R1

What You Need To Know:

Tools:

Required:

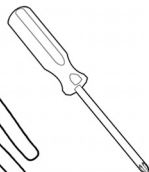
*Adjustable Wrench



*Groove Joint Pliers



*Phillips Screwdriver

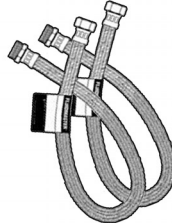


*Teflon Tape

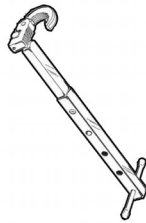


Helpful:

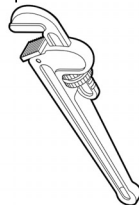
*Supply Lines



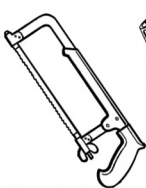
*Basin Wrench



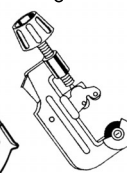
*Pipe Wrench



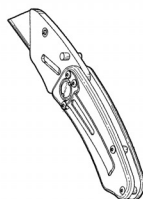
*Hacksaw



*Tubing Cutter



*Utility Knife



*Eye Protection



What You Need To Know:

Important Notes:

Be sure to read instructions thoroughly before beginning installation. Do not overtighten any connections or damage may occur. This faucet has an operating range of 20-80 psi.

Safety Tips:

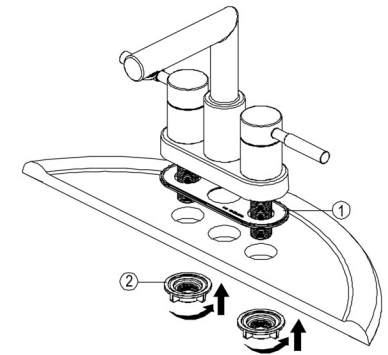
Cover your drain to prevent loss of parts.

Be sure to wear eye protection while cutting pipe.

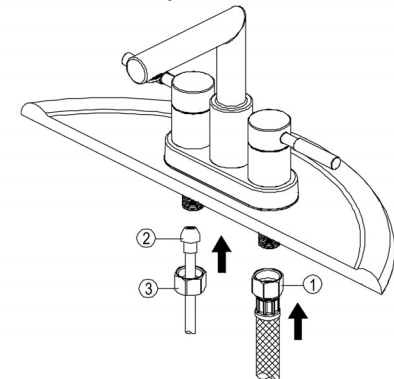
Maintenance:

Your new Lavatory Faucet is designed for years of trouble-free performance. Keep it looking new by cleaning it periodically with a soft cloth. Avoid abrasive cleaners, steel wool, and harsh chemicals as these will dull the finish and void your warranty.

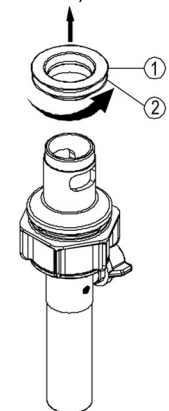
- ① Shut off water supplies. Remove old faucet. Place gasket (1) on bottom of new faucet. Place faucet through mounting holes in sink. Secure faucet to sink using mounting nuts (2) provided.



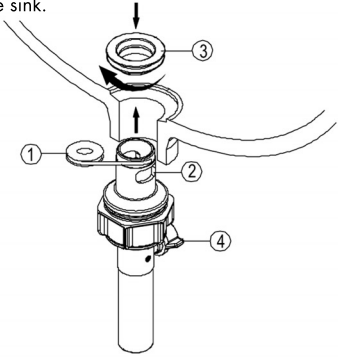
- ② Make connections to water lines. Use 1/2" IPS faucet connections (1) or use the supplied coupling nuts (3) with 3/8" O.D. ball nose risers (2). Use wrenches to tighten connections. Do not overtighten.



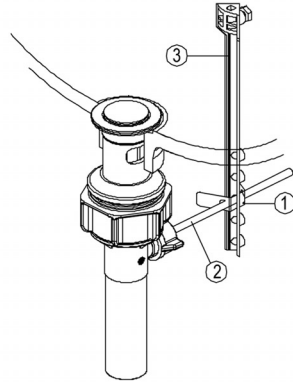
- ③ Remove flange (1) and rubber washer (2) from pop-up drain assembly.



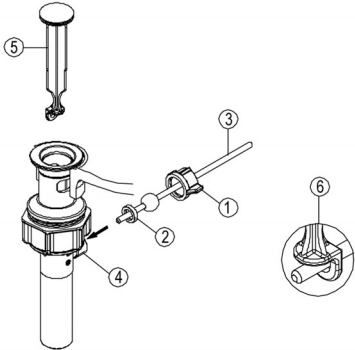
4 Add Teflon Tape (1) to the drain body (2). Apply the provided gasket or plumber's putty to the underside of the flange (3). Insert the threaded end of the drain body up through the drain hole and attach flange to the body with the pivot (4) pointing to the rear of the sink.



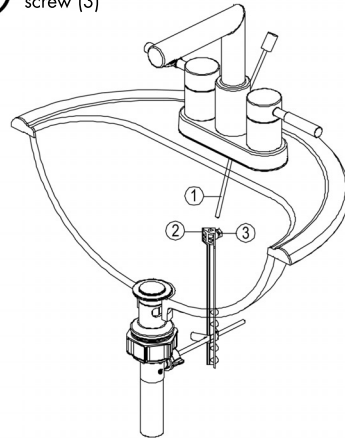
7 Place one end of spring clip (1) on the end of horizontal rod (2). Insert rod through hole in lift rod strap (3). Secure with spring clip (1)



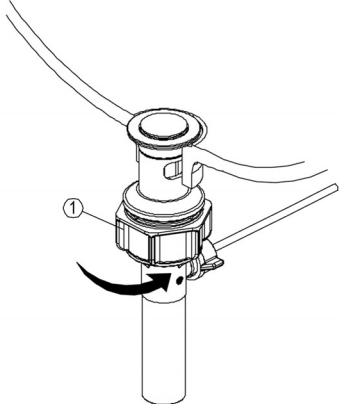
5 Unscrew the nut (1) from the pop-up body. Note: retain the seal (2) on the horizontal rod (3). Place the nut onto the horizontal rod and insert the rod and seal (2) into the pivot hole (4). Install stopper (5) as non removable (6). Slide nut (1) on and hand tighten only.



8 Insert lift rod (1) into strap (2) and tighten screw (3)



6 Tighten nut (1) clockwise until the pop-up drain assembly is secure.



9 **IMPORTANT:** After installation is completed, remove aerator. Turn on water supply and allow both hot and cold water to run for at least one minute each. While water is running, check for leaks. Replace aerator.

