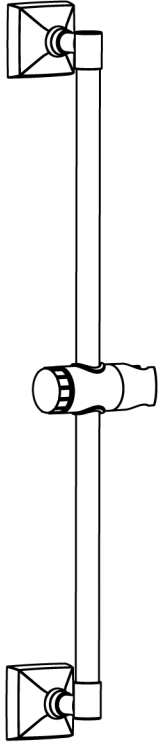


Instructions for Models:

SA-1302



Need Help?

For additional assistance or service call:

SPEAKMAN Company
400 Anchor Mill Road
New Castle, DE 19720

PHONE: 800-537-2107

EMAIL: customerservice@speakmancompany.com

WEB: www.speakmancompany.com

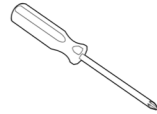
92-3331-R2

What You Need To Know:

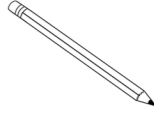
Tools:

Required:

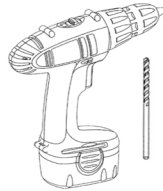
*Phillips Screwdriver



*Pencil



*Drill with 1/4" Bit

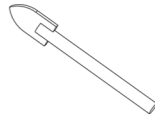


* Small Flathead Screwdriver

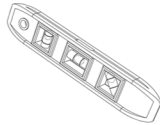


Helpful:

* 1/4" Tile Drill Bit



*Level



Important Notes:

Be sure to read instructions thoroughly before beginning installation. Do not overtighten any connections or damage may occur.

Safety Tips:

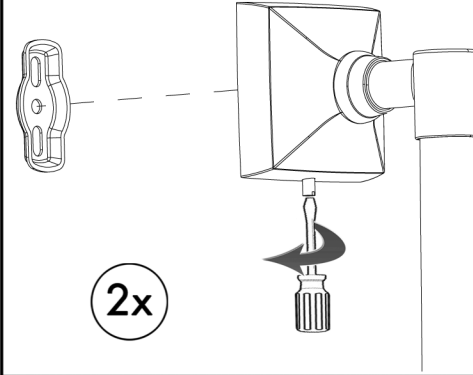
This item is **NOT** designed for use as a grab bar. Do not mount in locations where product is likely to be used as a grab bar.

Use caution when drilling into walls to avoid electrical and plumbing lines hidden within wall.

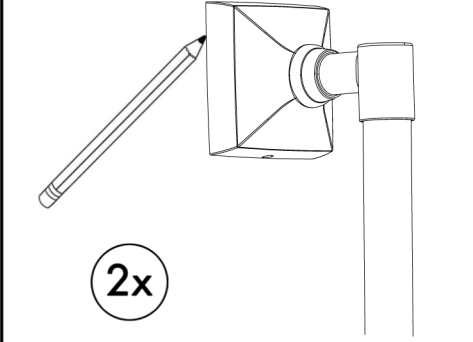
Maintenance:

Clean with a soft, damp cloth only. Do not use scrub pads, detergents or cleansers as they may harm the protective finish of your Slide Bar

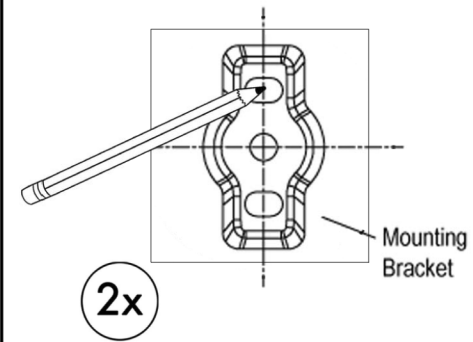
1 Loosen Set Screws with small Flathead Screwdriver, and remove Mounting Brackets from both ends of Slide Bar assembly.



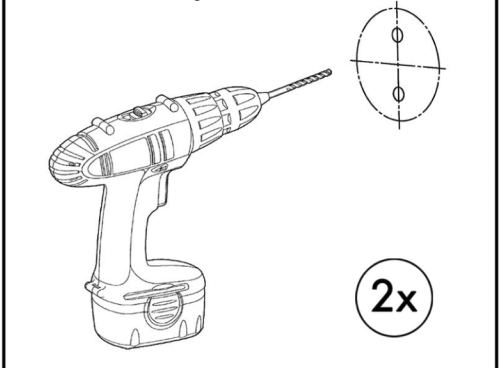
2 Place Slide Bar assembly on to wall in the desired mounting position. Take care that the Slide Bar is oriented in a vertical position. Using a pencil, lightly trace outline of end brackets on to wall.



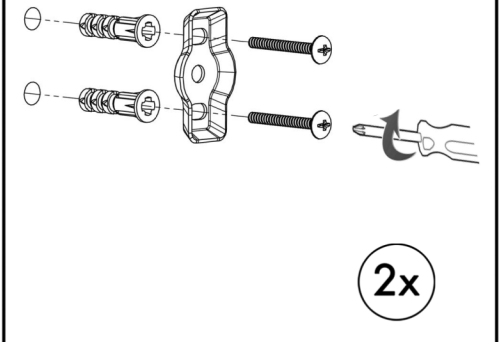
3 Center Mounting Bracket within traced outline. Mark the 2 mounting locations with a pencil.



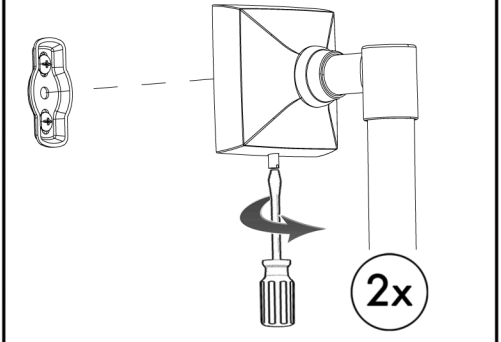
4 Drill 1/4" hole in marked locations. If drilling into tile, be sure to use a drill bit designated for tile. If mounting directly into stud or wood wall, secure lower end bracket to wall with mounting screws without drilling holes.

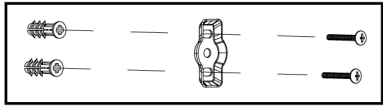
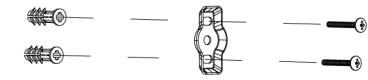


5 Insert Plastic Anchors into drilled holes and press in until flush with wall. Secure Mounting Brackets to wall with Mounting Screws using Phillips screwdriver.

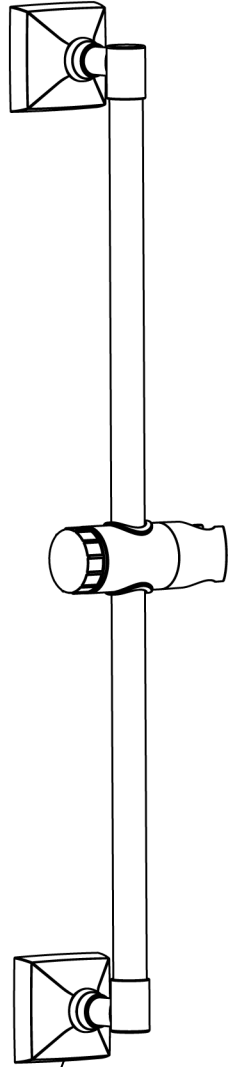


6 Instal Slide Bar assembly over Mounting Bracket, and secure with Set Screws using small Flathead Screwdriver.





RPG05-0893



8-32 UNC-2A THREAD
SET SCREW

