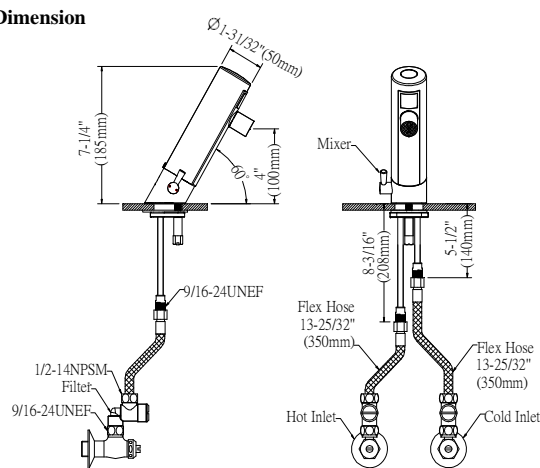


## Installation Instruction of S-9502 / S-9512

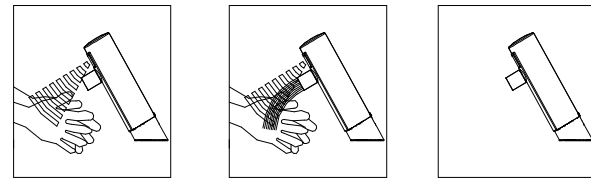
### Mounting Dimension



### Specification

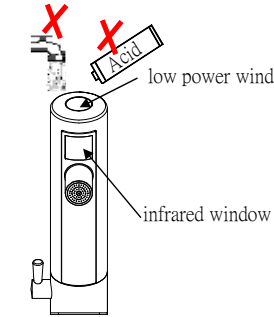
<b>Model</b>	<b>S-9502 / S-9512 (with 4" Deck Plate)</b>
<b>Product</b>	<b>Automatic Infrared Sensor Faucet</b>
<b>Material of Casing</b>	<b>Chrom-plated brass casting</b>
<b>Power Apply</b>	<b>Size AA Alkaline battery x 4pcs</b>
<b>Power Consumption</b>	<b>5W below</b>
<b>Sensory Range</b>	<b>Automatic adjustment(2"-8")</b>
<b>Protection</b>	<b>Automatic flow stop after 1 minute in case of a continuous abnormal flow</b>
<b>Delay Time</b>	<b>0.5 - 1 second</b>
<b>Applicable water pressure</b>	<b>10-100 PSI</b>
<b>Flowing volume</b>	<b>0.5GPM (1.9L/min) MAX</b>
<b>Applicable water temperature</b>	<b>39°F- 185°F</b>
<b>Ceramic bore diameter</b>	<b>1-1/4" MIN</b>

### Operation



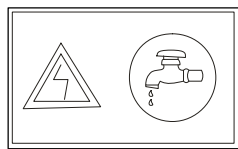
1. Keep hands under faucet for sensor detection.
2. Starts solenoid valve and flows immediately.
3. Stop flowing in 1 second after hands quit.

### Caution

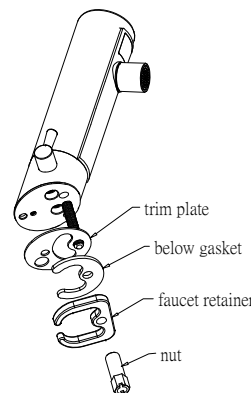


1. In order to avoid sensor failure, keep infrared window always clean to prevent dirt and dust.
2. Do not spray water or wash casing by strong acid, which may cause short-circuit or corrosion on casing. Wipe dirt or stain by wet soft cloth if necessary.
3. Clean filter regularly to avoid flowing volume decline (about 3-6 months depend on water quality condition).
4. The faucet applied for alkaline battery, replace new battery when LED flashes at the upside window.

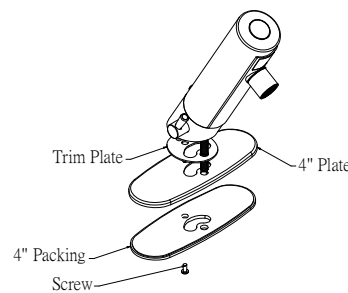
### Installation Steps



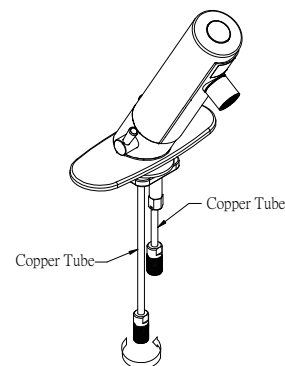
※Sensory range is automatically detected, electricified only after faucet firmly secured on basin or deck to avoid abnormal activation of sensory range.



- (1) Remove nut, faucet retainer and below gasket. (keep trim plate)

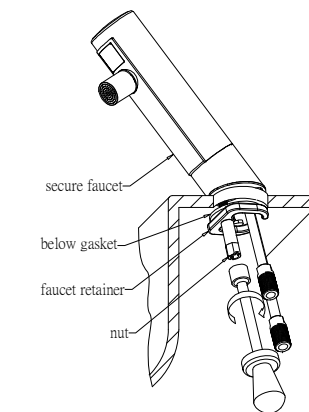


- (2) Secure the 4" plate & packing with a screw.

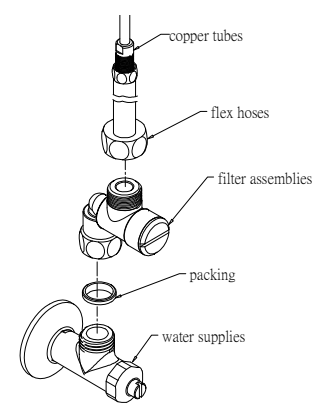


- (3) Fasten copper tubes onto faucet main body with wrench.

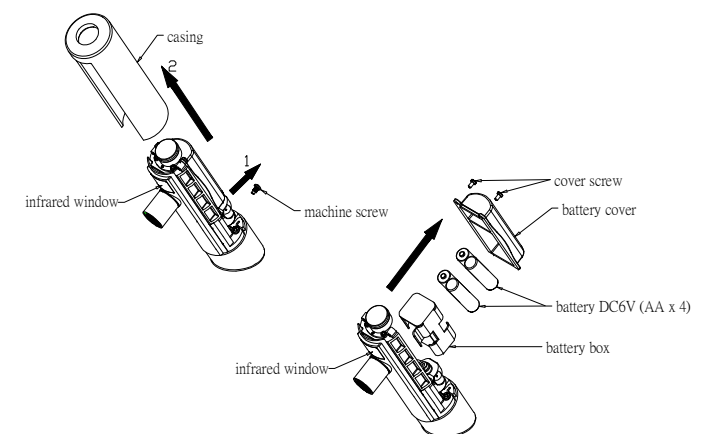
(Longer copper tube connected to hot water, Shorter copper tube connected to cold water)



- (4) Firmly secure faucet by tools on the lavatory or deck.

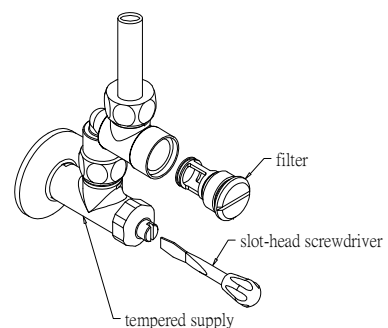


- (5) Turn on water supplies to spout and flush out dirty water with miscellaneous article.
    1. Firmly secure filter assemblies by tools above water supplies.
    2. Fasten flex hoses onto outlet of filter assemblies, and inlet of copper tubes.
- ※Remind to secure filter assembly to avoid faucet's abnormal activation.



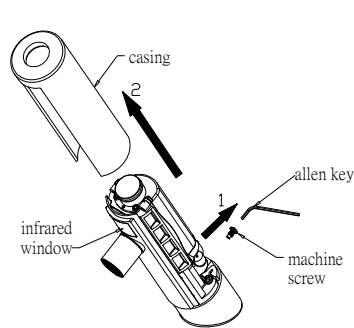
- (6) Remove casing and battery box in accordance with above charts.
  1. Confirm no obstacle on basin, deck and faucet's infrared window.
  2. Install battery DC1.5V AA x 4 accordingly, do not approach infrared window within 3 seconds to complete faucet electrified and sensory range adjustment.
  3. Secure battery box and casing in opposite sequence.
  4. Turn on water supplies and adjust to proper flow.

### Clean filter and flow adjustment

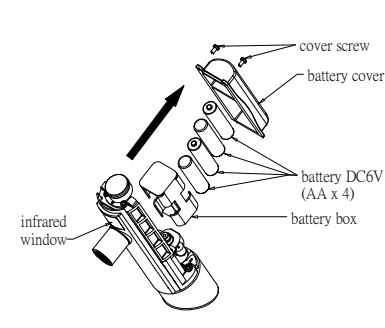


1. Bad water quality resulted filter obstruction and flow decline. Turn off water supplies by a slot-head screwdriver and take filter out for cleaning.
2. Adjust proper flow by a slot-head screwdriver.

### Battery replacement and sensory range adjustment(automatic adjustment)

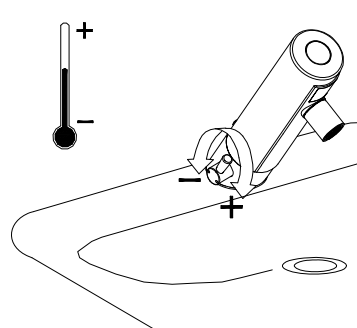


- Battery replacement**  
The faucet applied for alkaline battery, please replace new battery when LED flashes at the upside window indicator.
1. Remove fasten screws by an Allen key.
  2. Remove casing and battery box in sequence.
  3. Replace 4xDC1.5V(AA) battery.
  4. Secure battery box and casing in opposite sequence.
  5. Fasten screws by an Allen key.



- Sensory range adjustment**
1. Remove battery in accordance with procedure of replacement.
  2. Reload battery at 2 minutes later, do not approach basin or lavatory within 3 seconds, automatic adjustment completed.
  3. Faucet completely works after turning on water supplies.

### Temperature adjustment



Adjust required temperature by adjustable handle as above chart.

### Troubleshooting

Situation	Possible Cause	Solution
No function (LED flashes)	1. dirty infrared window	wipe infrared window by tissues
	2. lower battery	replace battery
	3. control circuit failure	replace control circuit
No function (No LED flashes when using)	1. dirty infrared window	wipe infrared window by tissues
	2. lower battery	replace battery
	3. solenoid valve failure	replace solenoid valve
	4. control circuit failure	replace control circuit
No function(LED flashes when using)	1. water supplies not turn on yet	check water supplies
	2. solenoid valve's connector loose	reconnect its connector
	3. solenoid valve failure	replace solenoid valve
Continuous flow	1. dirty infrared window	wipe infrared window by tissues
	2. over sensory range	reset sensory range
	3. solenoid valve failure	replace solenoid valve or clean diaphragm
Low flow volume	1. less water supply	increase water supply
	2. filter obstructed	clean filter
	3. aerator obstructed	clean aerator
Abnormal spout	1. dirty infrared window	wipe infrared window by tissues
	2. over sensory range	reset sensory range

### Spare parts

