

SPEAKMAN COMPANY

S-2251 Installation, Maintenance & Operation Instructions

ANYSTREAM® SHOWERHEAD

DESCRIPTION

Polished chrome plated ANYSTREAM showerhead. Brass ball swivel joint. Brass shank. Spray adjusting P-nut handle. 3-1/2" face. 8 Lexan deposit resisting plungers with 64 spray channels. Water conserving pressure compensating AUTOFLO® device reduces flow to 2.5 GPM/9.46LPM maximum, to meet existing ANSI A112.18.1M Standard. 1/2" NPT inlet.

SPECIFICATIONS

SUPPLY INLET: 1/2" NPTF
 FLOW RATE: 2.5 GPM/ 9.46LPM
 MAXIMUM
 SHIPPING WEIGHT: 2.43 LBS.

OPTIONS

◇PVD: PVD Finish (Brass Color)	◇BPT: British Pipe thread
◇SC: Satin Chrome Finish	◇BB: Bright Brass
◇SN: Satin Nickel Finish	◇PN: Polish Nickel

INSTALLATION

Apply pipe thread tape in a clockwise direction to threads of shower arm. Pipe joint compound may be used instead of tape. Turning in a clockwise direction, thread the showerhead on to the shower arm. Tighten with a pipe wrench or a pair of pliers. Position the showerhead by rotating it clockwise. Make sure the ball joint coupling nut is properly tightened. Turn the water supply on and check for leaks. Check all threaded connection periodically to make sure they are tight.

OPERATION

To adjust the spray pattern of the showerhead, simply rotate the handle to the desired spray (needle spray, gentle rain or full flood).

MAINTENANCE

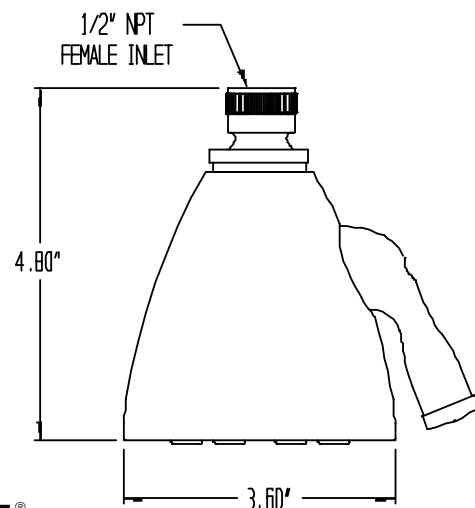
Periodic cleaning, using mild soap and warm water, will help keep your SPEAKMAN ANYSTREAM® showerhead's appearance in its original condition. For best results, dry immediately with a soft, clean cloth.

Caution: Do not use harsh and/or abrasive cleaners on showerheads.

In certain water conditions, mineral deposits may form. To keep your showerhead like new we recommend soaking the showerhead in 2 parts white vinegar and 1 part water for about 1 hour or more, depending on the amount of buildup. Rinse thoroughly. Brush off any remaining mineral deposits if necessary.

Product improvements may cause specification and dimensional changes without notice.

ROUGH-IN MEASUREMENTS



SPEAKMAN®

PO Box 191 Wilmington, DE 19899 Phone: 800-537-2107 Fax: 800-977-2747
 Visit us on the web at www.speakmancompany.com

04/09
 REV 3
 92-2436