

**Important: Always disconnect the power before installing or replacing bulb and before cleaning or other maintenance.**

This light should be installed by a licensed electrician

**LAMP INSTALLATION AND ASSEMBLY**

1. Shut off power to the outlet box. (fig. A)
2. Determine the height at which the fixture is to be hung. Use the screwdriver to loosen the set screw. (fig. B) Adjust the cords to the desired length. Tighten the set screw to set.
3. Reserve extra cord in the canopy, and adjust the cord lock so they are 12" from the canopy to prevent slippage.
4. Make appropriate electrical connections using wire nuts:
  - a. Connect the LED driver's live wire (brown/black) to the live outlet box wire.
  - b. Connect the LED driver's neutral wire (blue/white) to the neutral outlet box wire.
  - c. Connect fixture's ground wire (green or uncoated) to the ground outlet box wire. If no ground is present in outlet box, connect fixture's ground wire to the mounting plate using the green screw (included).
  - d. Carefully place connections in outlet box.
5. Attach mounting plate to the outlet box, secure with outlet box screws.
6. Attach canopy to mounting plate, secure with canopy nuts.
7. Restore power to the fixture.

**Note: 2212/2213: These fixtures are not dimmable. Do NOT use with dimmer switch.**

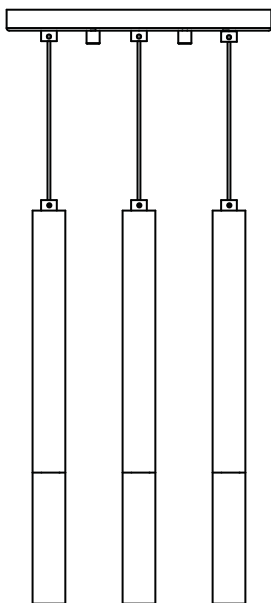
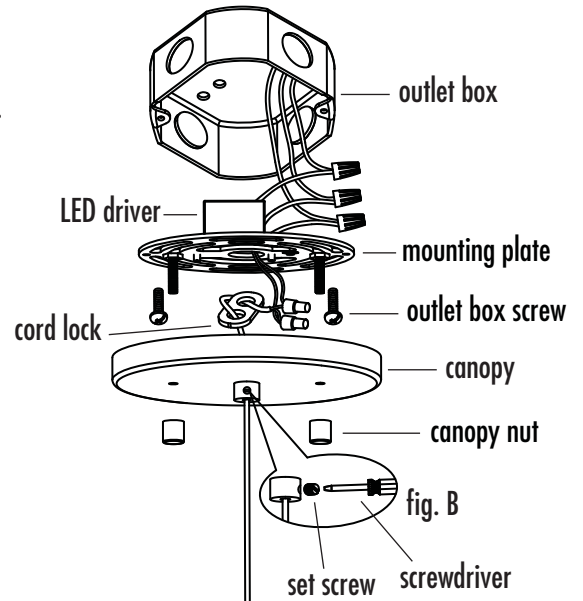
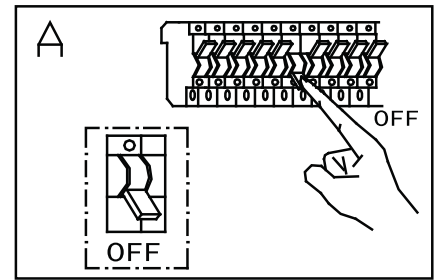
**2215: This fixture is dimmable with Electronic Low Voltage (Trailing-Edge) and Incandescent (Leading-Edge) type dimmers. For best performance, we recommend Lutron model CTELV-303P.**

**CARE INSTRUCTIONS**

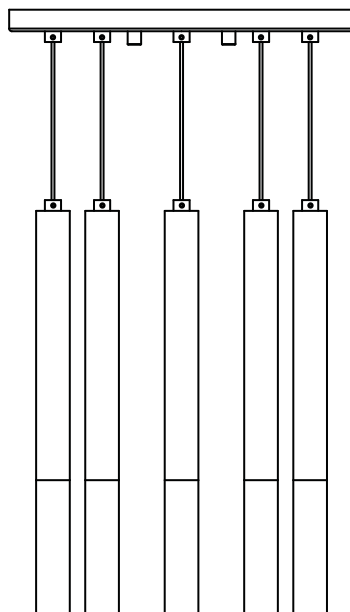
Dusting – Use a clean, dry cloth.

Cleaning – To protect the finish, avoid any harsh abrasives or chemicals.

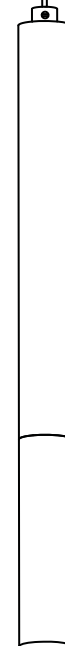
Fingerprints on the acrylic can be removed with rubbing alcohol.



2213



2215



2212