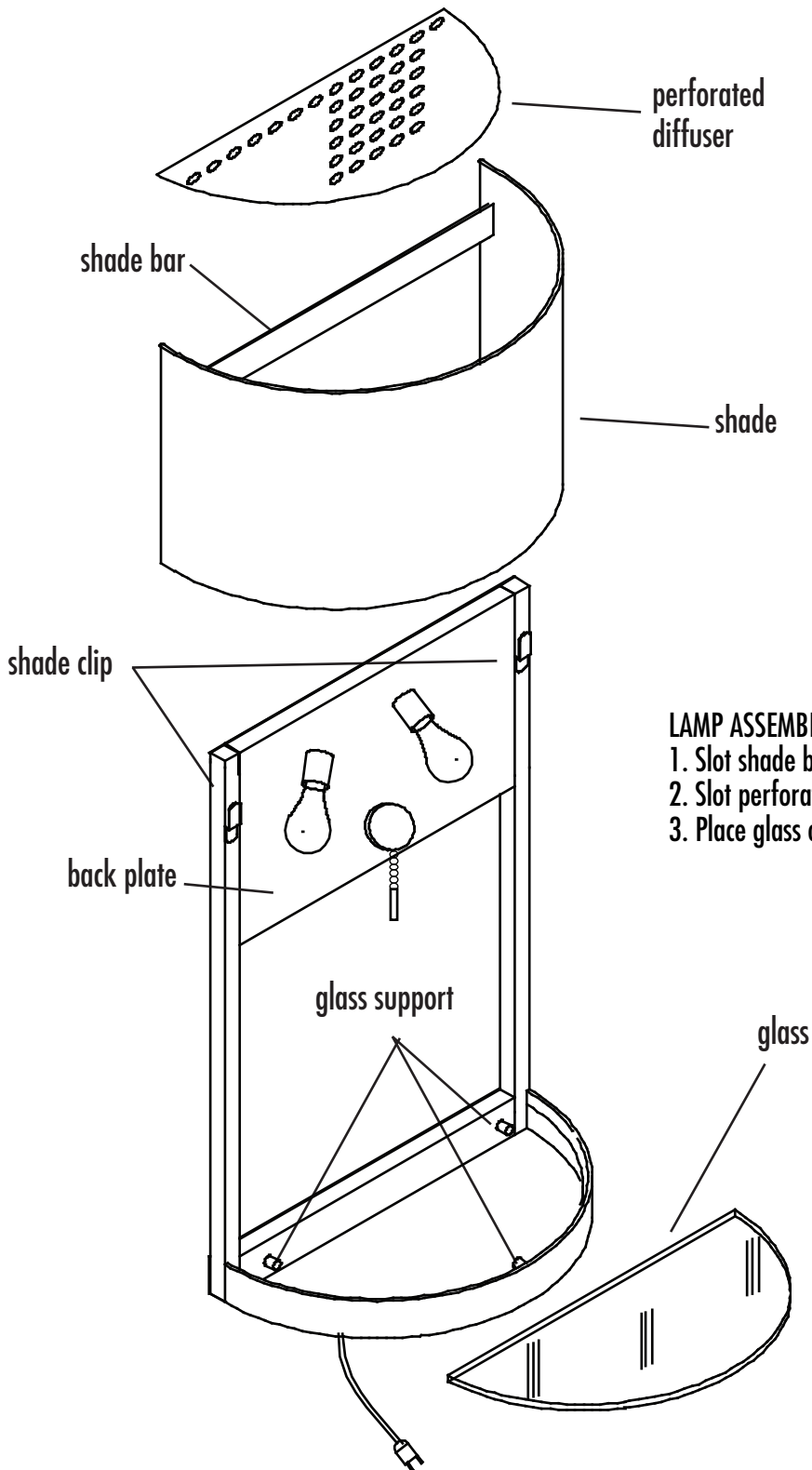


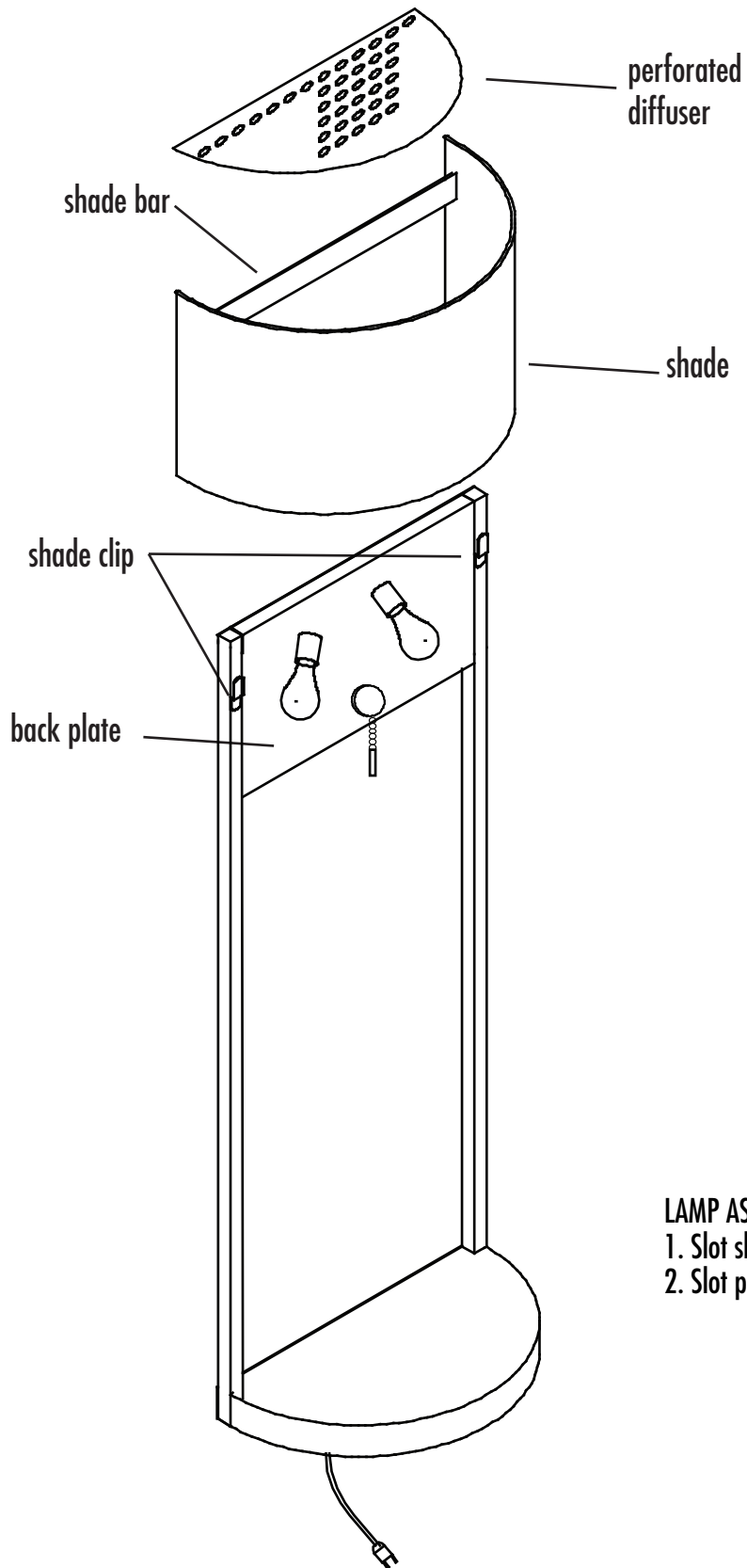
Important: Always unplug the power cord before installing or replacing bulb and before cleaning or other maintenance.



### LAMP ASSEMBLY

1. Slot shade bar (THICKER BAR) into two shade clips.
2. Slot perforated diffuser in between shade bar and back plate.
3. Place glass on glass support.

Important: Always unplug the power cord before installing or replacing bulb and before cleaning or other maintenance.



#### LAMP ASSEMBLY

1. Slot shade bar (thicker bar) into two shade clips.
2. Slot perforated diffuser in between back plate and shade bar.