

**This light should be installed
by a licensed electrician.**

LAMP INSTALLATION AND ASSEMBLY

1. Shut off power to outlet box.
2. Attach universal mounting plate to outlet box using outlet box screws. (Fig. A)
3. Make appropriate electrical connections using wire nuts. Connect the black fixture wire to black supply wire. Connect white fixture wire to white supply wire. If there is no green ground wire from the outlet box, connect the fixture ground wire to the mounting plate with the green screw provided. Place connections in outlet box.
4. Attach fixture to universal plate with the canopy nuts. The removable shade holder should be at the top of the fixture.
5. Install E12 base bulbs.
6. Install glass shade and secure with shade holder. (Fig. B)

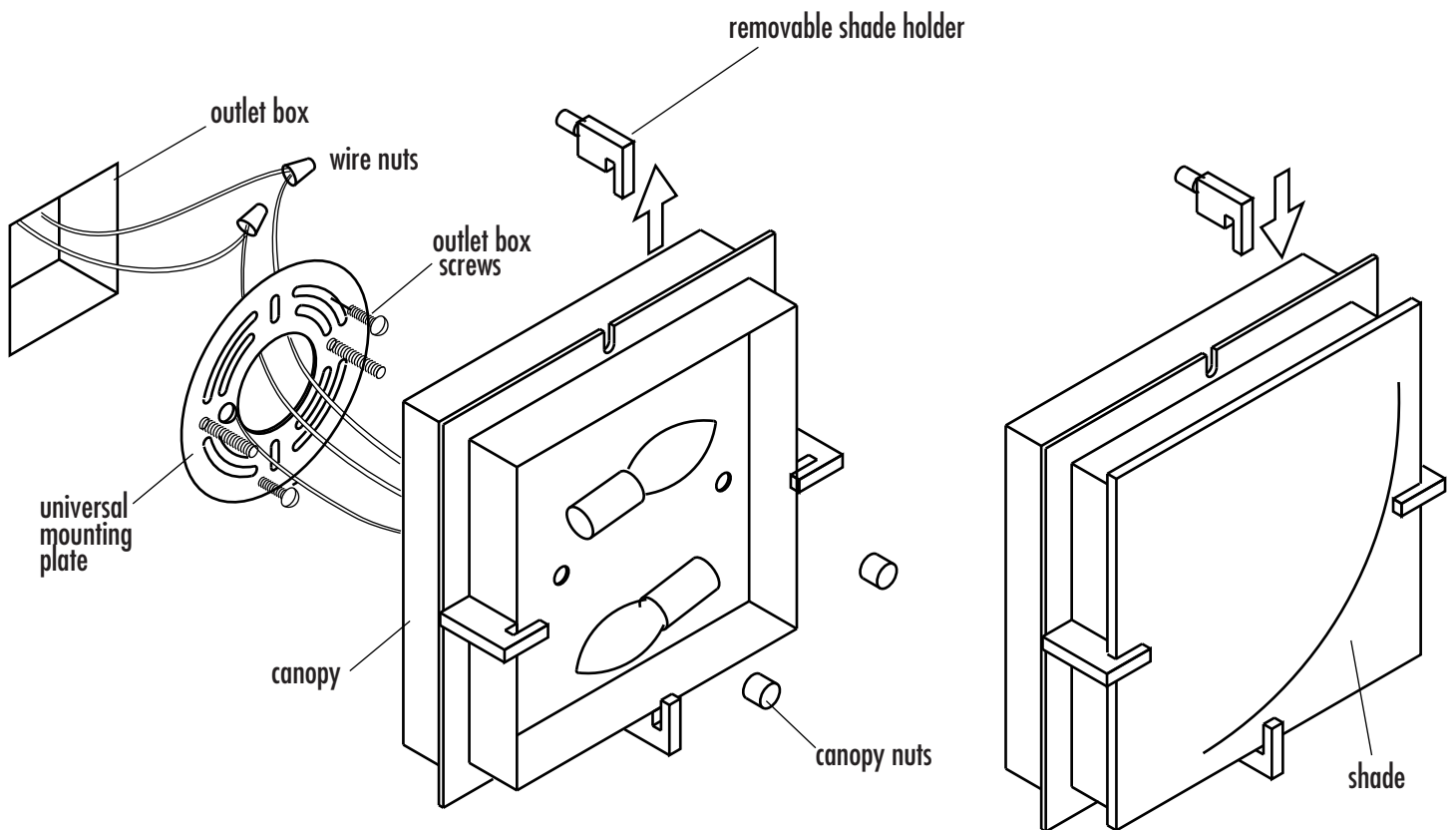


FIG. A

FIG. B