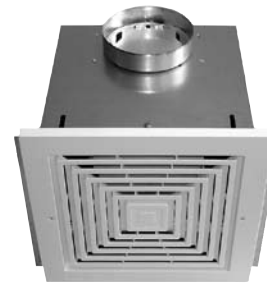




MODEL FF/FFC

CEILING AND INLINE/CABINET VENTILATORS



APPLICATION

The extremely quiet FF and FFC ventilators are used to exhaust air from a variety of commercial and institutional applications, such as restrooms, conference rooms, offices, storage areas, restaurants, retail stores, schools, and similar buildings...anywhere quiet, high-capacity ventilation is needed.

The forward curved centrifugal wheel with its high static pressure capability makes these ventilators suitable for either ducted or nonducted applications. They include removable blower assemblies and plug-in permanently lubricated motors for ease of servicing and cleaning.



Soler & Palau USA, certifies that the Models FF/FFC shown herein are licensed to bear the AMCA Seal. The ratings shown are based on test and procedures performed in accordance with AMCA Publication 211 and AMCA Publication 311 and comply with the requirement of the AMCA Certified Ratings Program.

CEILING/CABINET FANS

| MODEL FF | | Ceiling Ventilator | | | | | | | | | | | Ventilator with Motor, Grill & Backdraft Damper | | |
|-----------------|--------------------|---------------------------|---------------------------------------|------|------|------|------|------|------|------|------|-----|--|----------------------|--------------------|
| MODEL FF | AMPS @ 60HZ/ WATTS | RPM @ 1/8 | CFM / Sones at Static Pressure | | | | | | | | | | | Average Ship Wt. Lbs | 120/1/60 STOCK NO. |
| | | | 0 | 1/10 | 1/8 | 1/4 | 3/8 | 1/2 | 5/8 | 3/4 | 7/8 | 1 | | | |
| 50 | 0.8/48 | 1870 | 52 | 49 | 47 | 42 | 29 | - | - | - | - | - | 4 | FF50 | |
| | | | 3.9 | 4.3 | 4.4 | 4.6 | 5.5 | - | - | - | - | - | | | |
| 80 | 0.75/48 | 1280 | 89 | 81 | 80 | 68 | 36 | - | - | - | - | - | 7 | FF80 | |
| | | | 3.9 | 3.8 | 3.8 | 3.8 | 3.9 | - | - | - | - | - | | | |
| 100 | 1.1/87 | 640 | 136 | 115 | 109 | 93 | 80 | 65 | 44 | 12 | - | - | 23 | FF100 | |
| | | | 0.5 | 0.8 | 0.9 | 1.3 | 1.8 | 2.3 | 3.0 | 3.2 | - | - | | | |
| 150 | 1.3/100 | 710 | 181 | 161 | 157 | 141 | 132 | 124 | 114 | 94 | 62 | - | 23 | FF150 | |
| | | | 1.3 | 1.4 | 1.5 | 2.2 | 2.6 | 3.1 | 3.6 | 4.1 | 4.6 | - | | | |
| 200 | 1.8/127 | 740 | 231 | 214 | 210 | 196 | 186 | 177 | 165 | 144 | 113 | 51 | 23 | FF200 | |
| | | | 1.6 | 1.8 | 1.7 | 2.3 | 2.9 | 3.5 | 4.1 | 4.9 | 5.3 | 5.3 | | | |
| 250 | 2.1/166 | 830 | 272 | 261 | 259 | 250 | 242 | 233 | 218 | 201 | 165 | 99 | 23 | FF250 | |
| | | | 2.1 | 2.3 | 2.2 | 2.9 | 3.3 | 3.9 | 4.4 | 4.8 | 5.5 | 5.8 | | | |
| 300 | 2.6/212 | 905 | 312 | 309 | 308 | 303 | 296 | 287 | 273 | 254 | 219 | 125 | 23 | FF300 | |
| | | | 2.8 | 2.9 | 2.9 | 3.3 | 3.5 | 3.9 | 4.3 | 4.7 | 5.1 | 5.6 | | | |
| 400 | 1.4/146 | 735 | 480 | 442 | 434 | 388 | 344 | 299 | 229 | 182 | 114 | 33 | 34 | FF400 | |
| | | | 2.0 | 2.4 | 2.3 | 2.8 | 3.3 | 3.8 | 4.5 | 4.8 | 5.4 | 5.6 | | | |
| 500 | 2.2/232 | 810 | 538 | 520 | 514 | 491 | 463 | 434 | 389 | 339 | 282 | 186 | 34 | FF500 | |
| | | | 3.0 | 3.1 | 3.3 | 3.6 | 4.0 | 4.4 | 5.0 | 5.7 | 6.2 | 6.7 | | | |
| 700 | 2.9/313 | 960 | 722 | 704 | 701 | 667 | 640 | 607 | 571 | 534 | 453 | 333 | 34 | FF700 | |
| | | | 4.5 | 4.6 | 4.7 | 4.8 | 5.0 | 5.2 | 5.6 | 6.2 | 7.1 | 7.2 | | | |
| 900 | 3.0/306 | 650 | 918 | 905 | 901 | 877 | 842 | 793 | 725 | 636 | 536 | 390 | 64 | FF900 | |
| | | | 3.8 | 4.0 | 4.1 | 4.0 | 4.2 | 4.3 | 4.4 | 4.9 | 4.5 | 5.3 | | | |
| 1500 | 5.0/468 | 955 | 1578 | 1526 | 1513 | 1438 | 1371 | 1285 | 1198 | 1103 | 1000 | 816 | 64 | FF1500 | |
| | | | 8.6 | 8.4 | 8.4 | 8.1 | 7.5 | 7.0 | 6.7 | 6.2 | 5.8 | 5.8 | | | |

Performance ratings include the effects of inlet grille and backdraft damper in the airstream. Speed (RPM) shown is nominal. Performance is based on actual speed of test. The sound ratings shown are loudness values in fan sones at 5' (1.5m) in a hemispherical free field calculated per AMCA Standard 301. Values shown are for installation Type B: free inlet fan sone levels. Performance certified is for installation Type B: Free inlet, Ducted outlet.

DUE TO CONTINUING RESEARCH, SOLER & PALAU RESERVES THE RIGHT TO CHANGE SPECIFICATIONS WITHOUT NOTICE.

CONSTRUCTION

Housing

- Rugged, 20 gauge galvanized steel.
- Duct connector.
- 1/2" acoustic insulation inside (except FF50, FF80 & FFC's).
- Integral automatic backdraft damper.
- Easy inline conversion available (FF100-FF1500).
- Mounting brackets for easy installation and adaptability to numerous mounting requirements.
- Factory shipped in horizontal discharge position easily converted to vertical discharge.
- FFC inline units have a removable panel which allows for easy motor access without disturbing duct work.

Blower

- Low RPM for quiet operation, speed controllable.
- Resilient anti-vibration mounts (FF50 & FF80 rigid mount).
- Balanced, polymeric, centrifugal blower wheel for quiet, efficient performance. (Metal wheel on FFC2000 & FFC3500).
- Permanently lubricated, thermally protected motor.
- Plug in motor designed for continuous operation.

Grill

- Conceals interior.
- Low profile styling, blends with any decor.
- White polymeric (FF50 - FF300).
- Metal finished with white enamel (FF400 - FF1500).

ACCESSORIES

- Complete selection available, see pages 47-48.



Soler & Palau USA, certifies that the Models FF/FFC shown herein are licensed to bear the AMCA Seal. The ratings shown are based on test and procedures performed in accordance with AMCA Publication 211 and AMCA Publication 311 and comply with the requirement of the AMCA Certified Ratings Program.

| MODEL FFC | | Inline/Cabinet Ventilators | | | | | | | | | | | Ventilator with Motor and Duct Connectors | |
|------------------|--------------------|-----------------------------------|---------------------------------------|------|------|------|------|------|-----|-----|-----|-----|--|--------------------|
| MODEL FFC | AMPS @ 60HZ/ WATTS | RPM @ 1/8 | CFM / Sones at Static Pressure | | | | | | | | | | Average Ship Wt. Lbs. | 120/1/60 STOCK NO. |
| | | | 0 | 1/10 | 1/8 | 1/4 | 3/8 | 1/2 | 5/8 | 3/4 | 7/8 | 1 | | |
| 100 | 1.0/87 | 760 | 121 | 108 | 106 | 97 | 93 | 86 | 70 | 44 | 17 | - | 23 | FFC100 |
| | | | 0.5 | 0.7 | 0.7 | 1.1 | 1.4 | 1.8 | 2.1 | 2.4 | 2.6 | - | | |
| 150 | 1.3/100 | 920 | 153 | 148 | 147 | 140 | 134 | 125 | 111 | 91 | 54 | 18 | 23 | FFC150 |
| | | | 0.9 | 1.0 | 1.1 | 1.4 | 1.6 | 1.9 | 2.1 | 2.2 | 2.4 | 2.6 | | |
| 200 | 1.8/127 | 865 | 205 | 196 | 195 | 190 | 185 | 175 | 158 | 135 | 96 | 47 | 23 | FFC200 |
| | | | 1.7 | 1.9 | 1.9 | 2.1 | 2.3 | 2.4 | 3.0 | 3.3 | 3.4 | 3.4 | | |
| 250 | 2.1/166 | 1005 | 248 | 245 | 245 | 241 | 235 | 224 | 208 | 183 | 141 | 84 | 23 | FFC250 |
| | | | 2.0 | 2.3 | 2.3 | 2.8 | 2.8 | 3.2 | 3.4 | 3.6 | 3.9 | 3.8 | | |
| 300 | 2.6/212 | 1145 | 300 | 294 | 293 | 285 | 274 | 259 | 243 | 214 | 168 | 113 | 23 | FFC300 |
| | | | 2.9 | 3.0 | 3.1 | 3.3 | 3.4 | 3.5 | 3.6 | 3.7 | 4.0 | 3.9 | | |
| 400 | 1.4/146 | 775 | 450 | 415 | 406 | 360 | 313 | 271 | 223 | 167 | 90 | 6.0 | 34 | FFC400 |
| | | | 1.4 | 1.6 | 1.6 | 1.9 | 2.2 | 2.6 | 2.9 | 3.4 | 3.6 | 3.9 | | |
| 500 | 2.2/232 | 890 | 546 | 526 | 519 | 496 | 472 | 447 | 407 | 364 | 306 | 232 | 34 | FFC500 |
| | | | 2.4 | 2.4 | 3.4 | 3.7 | 3.9 | 3.8 | 3.9 | 4.0 | 4.3 | 4.3 | | |
| 700 | 2.9/313 | 1090 | 704 | 686 | 681 | 656 | 631 | 604 | 575 | 533 | 480 | 412 | 34 | FFC700 |
| | | | 3.6 | 3.8 | 3.7 | 3.9 | 4.0 | 4.2 | 4.3 | 4.4 | 4.7 | 5.0 | | |
| 900 | 3.0/306 | 810 | 930 | 902 | 894 | 853 | 807 | 754 | 685 | 587 | 442 | 300 | 64 | FFC900 |
| | | | 3.7 | 3.8 | 3.8 | 3.8 | 3.7 | 3.8 | 3.9 | 4.0 | 4.0 | 4.1 | | |
| 1500 | 5.0/468 | 1055 | 1275 | 1228 | 1214 | 1152 | 1092 | 1029 | 958 | 871 | 764 | 631 | 64 | FFC1500 |
| | | | 6.8 | 6.8 | 6.7 | 6.5 | 6.3 | 6.0 | 6.0 | 6.0 | 6.0 | 6.0 | | |

Performance ratings include the effects of backdraft damper in the airstream. Speed (RPM) shown is nominal. Performances based on actual speed of test. The sound ratings shown are loudness values in fan sones at 5" (1.5m) in a hemispherical free field calculated per AMCA Std. 301. Values shown are for installation Type D; Ducted inlet, Ducted outlet. Ratings do not include the effect of duct end correction. Performance ratings include the effects of 18 feet of round inlet duct and, if needed, a rectangular to round duct transition in the airstream. Performance certified is for Installation Type D; Ducted inlet, Ducted outlet.

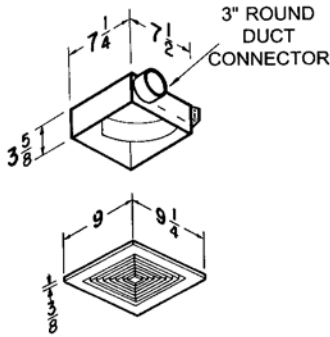
| MODEL FFC | | Inline / Cabinet Ventilators | | | | | | | | | | Ventilator with Motor and Duct Connectors | | |
|------------------|--------------------|-------------------------------------|---------------------------------------|------|------|------|------|------|------|-----|-----|--|-----------------------|--------------------|
| MODEL FFC | AMPS @ 60HZ/ WATTS | RPM @ 1/8 | CFM / Sones at Static Pressure | | | | | | | | | | Average Ship Wt. Lbs. | 120/1/60 STOCK NO. |
| | | | 0 | 1/10 | 1/8 | 1/4 | 3/8 | 1/2 | 5/8 | 3/4 | 7/8 | 1 | | |
| 2000 | 5.8/590 | 965 | 1891 | 1803 | 1791 | 1657 | 1508 | 1347 | 1165 | 808 | 284 | - | 92 | FFC2000 |
| | | | 10.3 | 9.8 | 9.4 | 9.0 | 8.6 | 9.1 | 8.9 | 7.0 | 6.7 | - | | |

Performance ratings do not include the effects of appurtenances in the airstream. Speed (RPM) shown is nominal. Performance is based on actual speed of test. The sound ratings shown are loudness values in fan sones at 5' (1.5m) in a hemispherical free field calculated per AMCA Std. 301. Values shown are for installation Type D; Ducted inlet, Ducted outlet. Ratings do not include the effect of duct end correction. Performance certified is for Installation Type D; Ducted inlet, Ducted outlet.

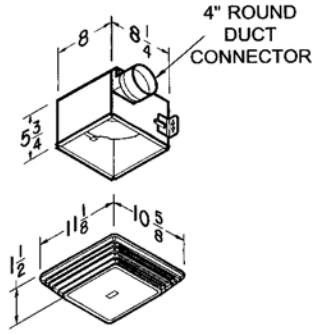
CEILING/CABINET FANS

DIMENSIONAL DATA - CEILING VENTILATOR

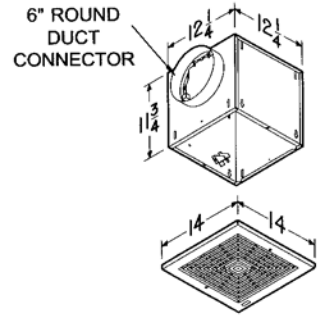
FF50



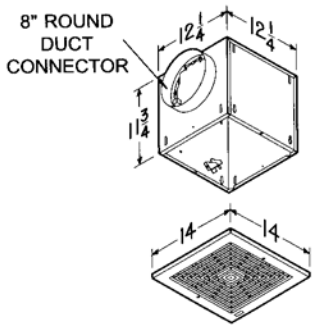
FF80



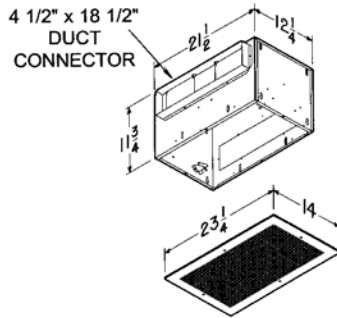
FF100 & 150



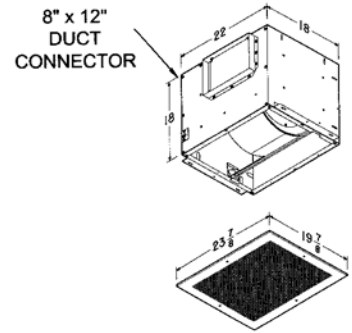
FF200, 250 & 300



FF400, 500 & 700



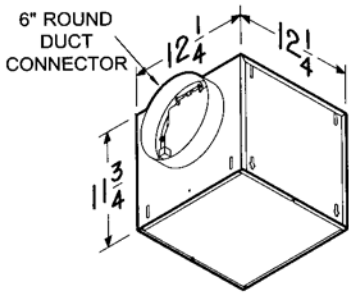
FF900 & 1500



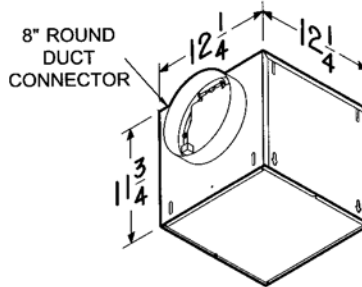
CEILING/CABINET FANS

Inline/Cabinet Ventilator

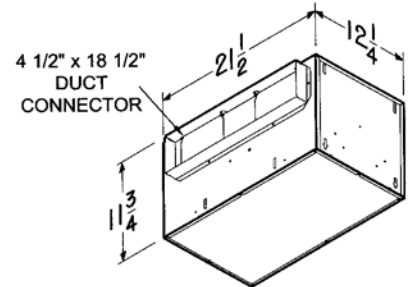
FFC100 & 150



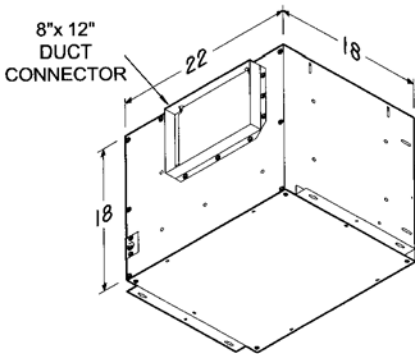
FFC200, 250 & 300



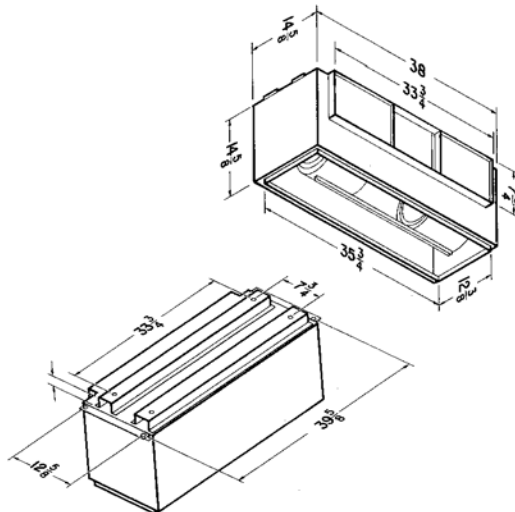
FFC400, 500 & 700



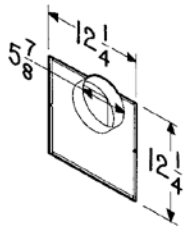
FFC900 & 1500



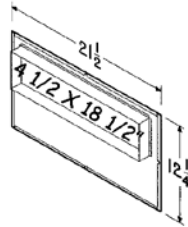
FFC2000



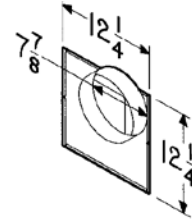
ACCESSORIES



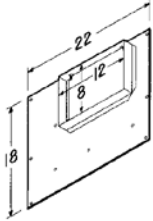
- 961L In-Line Adaptor Kit**
- Galvanized steel
 - Fits FF100 & FF150
 - For 6" round duct intake



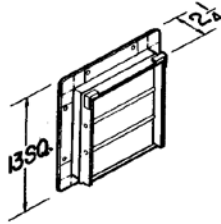
- 982L In-Line Adaptor Kit**
- Galvanized steel
 - Fits FF400, FF500 & FF700
 - 4 1/2 x 18 1/2" duct intake



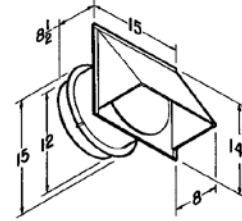
- 981L In-Line Adaptor Kit**
- Galvanized steel
 - Fits FF200, FF250 & FF300
 - For 8" round duct intake



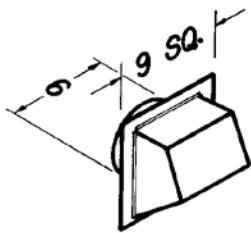
- 983 In-Line Adaptor Kit**
- Galvanized steel
 - Fits FF900 & FF1500
 - 8" x 12" round duct intake



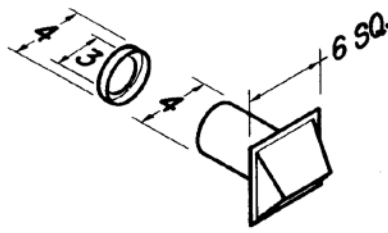
- Model 441 Wall Cap**
- Gravity dampers
 - Collar with birdscreen for attaching 10" round duct
 - Steel construction with aluminum louvers



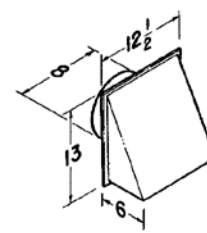
- Model 613 Wall Cap**
- High Capacity
 - Built-in backdraft damper & birdscreen
 - Aluminum natural finish
 - For 12" round duct



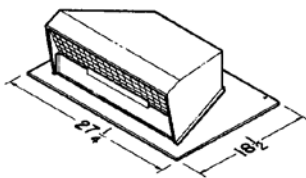
- Model 641 Wall Cap**
- Aluminum natural finish
 - Built-in backdraft damper & birdscreen
 - For 6" round duct



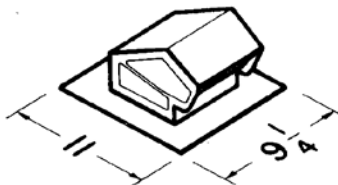
- Model 642 Wall Cap**
- Aluminum natural finish
 - Built-in backdraft damper & birdscreen
 - For 3" or 4" round duct (4" to 3" transition included)



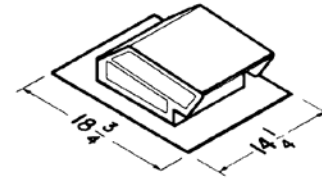
- Model 643 Wall Cap**
- Aluminum natural finish
 - Built-in backdraft damper
 - For 8" round duct



- Model 437 Roof Cap**
- High capacity design - up to 1200 CFM
 - Built-in birdscreen
 - Steel, black electrically - bonded epoxy finish



- Model 636 Roof Cap**
- Black electrically - bonded epoxy finish
 - Built-in backdraft damper & birdscreen
 - For 3" or 4" round duct

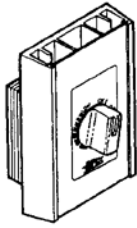


- Model 634 Roof Cap**
- Black electrically - bonded epoxy finish
 - Built-in backdraft damper & birdscreen
 - For 3 1/4" x 10" or up to 8" round duct

Model 636AL - Aluminum

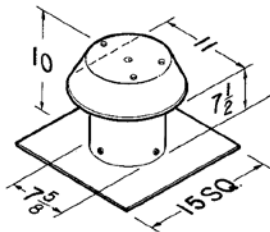
Model 644 - Aluminum

ACCESSORIES



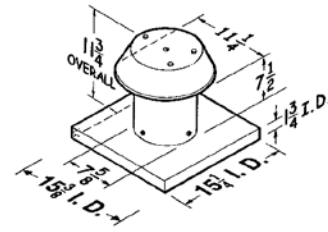
Speed Control

- Adjust speed from 100 to 50%
- 3 amp, 5 amp & 10 amp - 120V
- 6 amp - 240V



Model 611 Flat Roof Cap

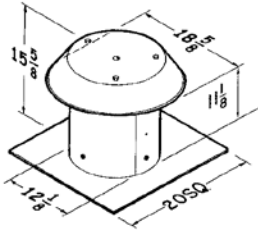
- For flat roof installation
- Aluminum - natural finish
- Built-in birdscreen
- For up to 8" round duct



Model 611CM

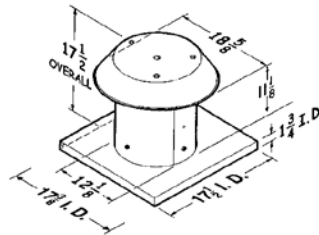
Curb Mount Roof Cap

- For curb mount installation
- Aluminum - natural finish
- Built-in birdscreen
- For up to 8" round duct



Model 612 Flat Roof Cap

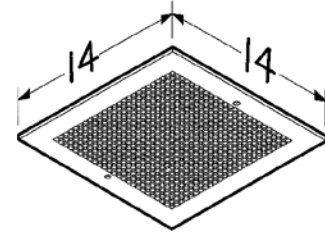
- For flat roof installation
- Aluminum - natural finish
- Built-in birdscreen
- For up to 12" round duct



Model 612CM

Curb Mount Roof Cap

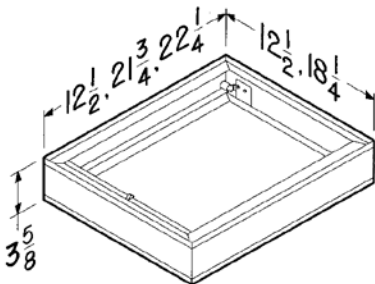
- For curb mount installation
- Aluminum - natural finish
- Built-in birdscreen
- For up to 12" round duct



Model MG 1 Metal Grill Kit

- White enamel painted steel
- Mounting screws included
- Fits FF100, FF150, FF200, FF250 & FF300

CEILING/CABINET FANS

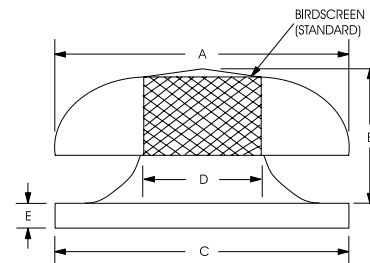
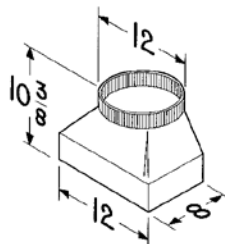
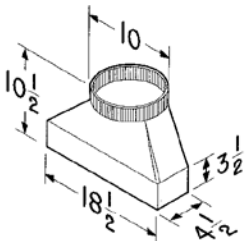


Models RD1, RD2 & RD3 Radiation Dampers

- UL rated for use in 1, 2 or 3 hour rated floor-ceiling, roof-ceiling design
- Galvanized steel frame
- High temperature, non-asbestos, reinforced fiber thermal fabric
- 212°F fusible link
- Stainless steel negator-type closure spring
- RD1 (12 1/4" x 12 1/4") fits FF100 - FF300
- RD2 (21 1/2" x 18") fits FF400 - FF700
- RD3 (22" x 18") fits FF900 - FF1500

Models 423 & T81212 Duct Transitions

- Galvanized steel
- Allows for quick transition to easy-to-obtain-and-install round ducting
- 423 (4 1/2" x 18" to 10 round) for use with FF400 thru FF700
- T81212 (8" x 12" to 12" round) for use with FF900 and FF1500



Model RCXII - 18" and 20" units

| Size | A | B | C | D | E | Est. Wt. |
|------|--------|--------|--------|--------|---|----------|
| 18 | 32 3/4 | 12 1/2 | 29 1/2 | 18 5/8 | 2 | 35 |
| 20 | 32 3/4 | 12 1/2 | 29 1/2 | 20 | 2 | 35 |

MODEL FF/FFC

Optional Accessory Compatibility Chart

Ceiling & Inline/Cabinet Ventilators

| STOCK NO. | CEILING MOUNT MODEL FF | | | | | | | IN-LINE/CABINET MODEL FFC | | | | | |
|--|------------------------|----------------|-------------------------|----------------|-------|-------|--------|---------------------------|----------------------------|----------------------------|--------|---------|---------|
| VARIABLE SPEED CONTROLS | FF50 FF80 | FF100 FF150 | FF200 FF250 FF300 | FF400 FF500 | FF700 | FF900 | FF1500 | FFC100 FFC150 | FFC200 FFC250 FFC300 | FFC400 FFC500 FFC700 | FFC900 | FFC1500 | FFC2000 |
| 2727.1 (5 AMP 120V) | X | X | X | X | | | X | X | | | | | |
| 2828.1 (10AMP 120V) | | X | X | X | X | X | X | X | X | X | X | X | X |
| ROOF CAPS | | | | | | | | | | | | | |
| 437 | | | | X | X | | | | | X | | | |
| 611,611 CM | X | X | X | | | | | X | X | | | | |
| 612,612CM | | X | X | X | X | X | X | X | X | X | X | X | X |
| 634 | | X | X | | | | | X | X | | | | |
| 636 | X | | | | | | | | | | | | |
| RCX II - 18 | | | | | | | | | | | | | X |
| RCX II - 20 | | | | | | | | | | | | | X |
| WALL CAPS | | | | | | | | | | | | | |
| 441 | | | | X | X | | | | | X | | | |
| 613 | | | | | | X | X | | | | X | X | |
| 641 | | X | | | | | | X | | | | | |
| 642 | X | | | | | | | | | | | | |
| 643 | | | X | | | | | | X | | | | |
| IN-LINE ADAPTERS | | | | | | | | | | | | | |
| 961L | | X | | | | | | | | | | | |
| 981L | | | X | | | | | | | | | | |
| 982L | | | | X | X | | | | | | | | |
| 983L | | | | | | X | X | | | | | | |
| UL RADIATION DAMPERS | | | | | | | | | | | | | |
| RD1 | | X | X | | | | | | | | | | |
| RD2 | | | | X | X | | | | | | | | |
| RD3 | | | | | | X | X | | | | | | |
| METAL GRILL KIT | | | | | | | | | | | | | |
| G102 | | | | | | | | | | | | | X |
| MGI | | X | X | | | | | | | | | | |
| DUCT TRANSITIONS | | | | | | | | | | | | | |
| 423 | | | | X | X | | | | | X | | | |
| T81212 | | | | | | X | X | | | | X | X | |
| DAMPER KITS | | | | | | | | | | | | | |
| D100 | | | | | | | | | | | | | X |
| VIBRATION DAMPENING HANGERS (4) | | | | | | | | | | | | | |
| v102 | | X | X | X | X | X | X | X | X | X | X | X | X |
| HEAVY DUTY | | | | | | | | | | | | | |
| v104 | | X | X | X | X | X | X | X | X | X | X | X | X |

For availability of accessories from stock - refer to the price list or contact your sales representative.

CEILING/CABINET FANS