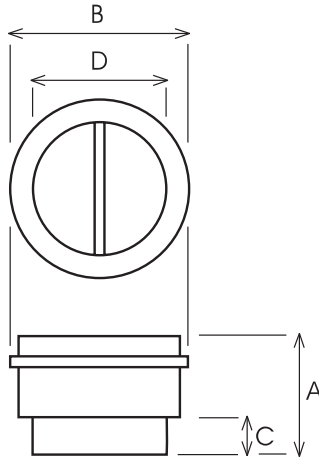




The World's Leading Producer of  
**Air Movement Products**  
 6393 Powers Avenue  
 Jacksonville, Florida 32217-2298  
 P: 800.961.7370 F: 800.961.7379  
 www.solerpalau-usa.com

# MCA - Back Draft Damper

Fits over the TD lip and is mounted on outlet side. The shutter prevents the air re-circulating when the fan(s) are not in use.



## Dimensions inches/mm

Model	A	B	C	D
MCA-100	4 <sup>3</sup> / <sub>16</sub> 107	4 <sup>3</sup> / <sub>8</sub> 111	1 <sup>1</sup> / <sub>4</sub> 31	3 <sup>11</sup> / <sub>16</sub> 94
MCA-125	4 <sup>3</sup> / <sub>16</sub> 107	5 <sup>3</sup> / <sub>8</sub> 136	1 <sup>1</sup> / <sub>4</sub> 31	4 <sup>11</sup> / <sub>16</sub> 119
MCA-150	4 <sup>3</sup> / <sub>4</sub> 121	6 <sup>7</sup> / <sub>16</sub> 163	1 <sup>3</sup> / <sub>8</sub> 35	5 <sup>13</sup> / <sub>16</sub> 147
MCA-200	5 <sup>3</sup> / <sub>16</sub> 131	8 <sup>7</sup> / <sub>16</sub> 214	1 <sup>3</sup> / <sub>8</sub> 35	7 <sup>3</sup> / <sub>4</sub> 197
MCA-250	6 <sup>3</sup> / <sub>16</sub> 164	10 <sup>3</sup> / <sub>8</sub> 264	1 <sup>5</sup> / <sub>8</sub> 42	9 <sup>3</sup> / <sub>4</sub> 248
MCA-315	8 <sup>1</sup> / <sub>16</sub> 205	13 330	1 <sup>15</sup> / <sub>16</sub> 50	12 <sup>5</sup> / <sub>16</sub> 312

## TD/MCA Cross Reference

Model	Type TD - TDx2 - TDx3 - TWIN
MCA-100	100
MCA-125	125
MCA-150	150
MCA-200	200
MCA-250	250
MCA-315	315

ACCESSORY MODEL	1	2	3	4	5	REMARKS

PROJECT: \_\_\_\_\_ CONTRACTOR: \_\_\_\_\_  
 LOCATION: \_\_\_\_\_ REVISION DATE: \_\_\_\_\_  
 FORM NO.: \_\_\_\_\_ SUBMITTED BY: \_\_\_\_\_ DATE: \_\_\_\_\_  
 ENGINEER: \_\_\_\_\_ APPROVED BY: \_\_\_\_\_ DATE: \_\_\_\_\_

For more information contact us at [www.solerpalau-usa.com](http://www.solerpalau-usa.com) or 1.800.961.7370 for additional submittal drawings.

Soler & Palau will not be responsible for fabrication changes or errors resulting from customer use of a non-current submittal drawing.

