

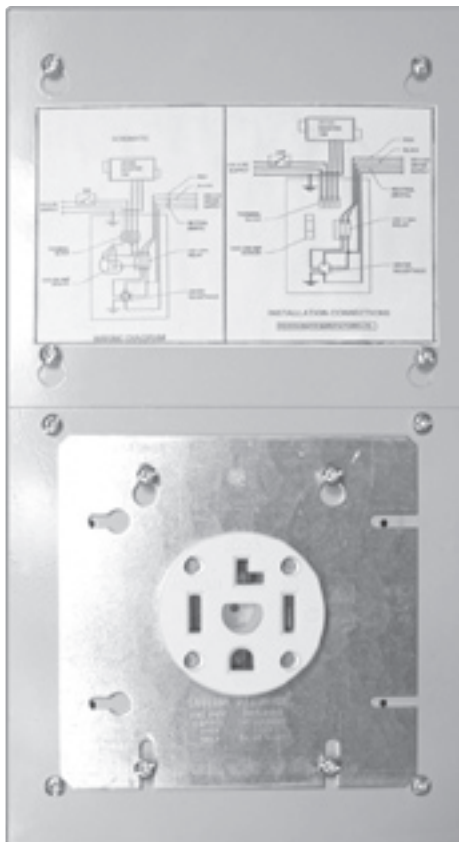


# Dryer Interlock Control Box

## Model IL115/IL230



**No more worries about lint and humidity due to fan failure.**



Dryer Starter Control IL115/IL230 is a pre-wired unit with dryer plug for easy and simple installation for the electrician. This control works in conjunction with the booster fan. When booster fan is in "ON" it will engage power to the starter control box and only then the dryer can be turned "ON".

**NOTE:**

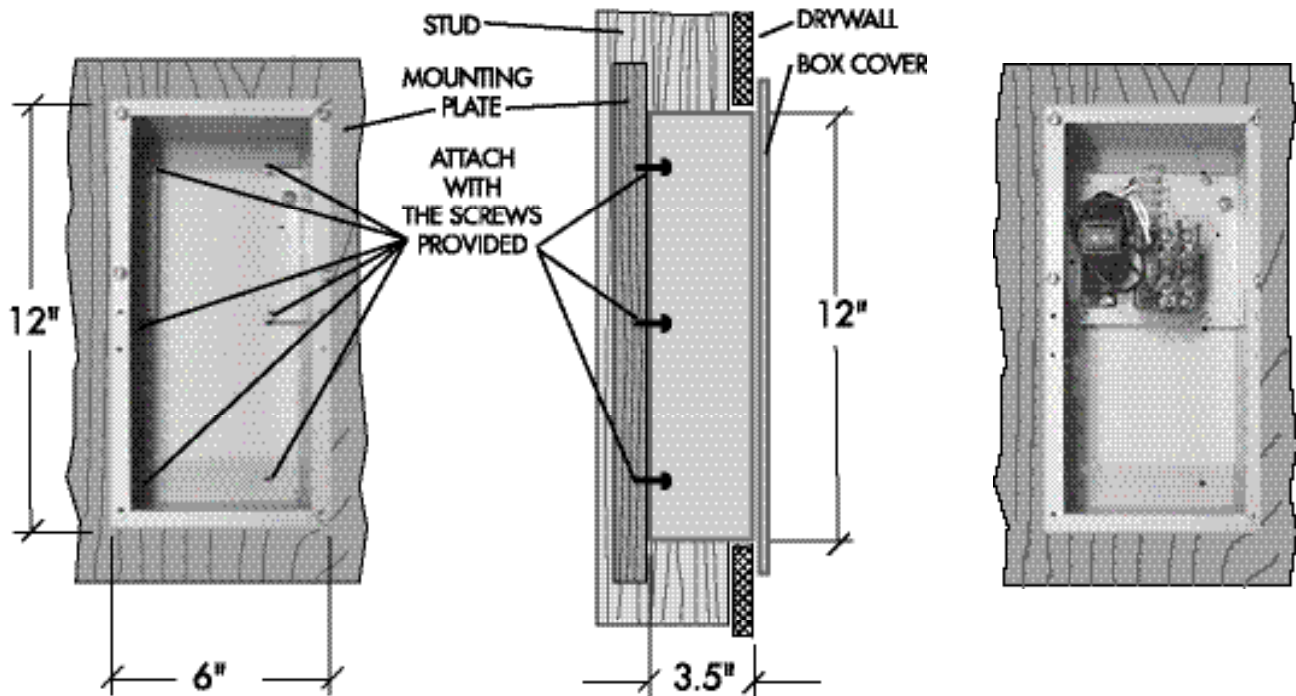
*If booster fan for any reason does not work, the dryer can not be turned "ON".*

Dryer Starter Control Box is available as a complete assembly or separately packed rough in box. Control assembly, dryer receptacle and cover plate separately packed.

**Soler & Palau USA**  
6393 Powers Avenue  
Jacksonville, FL 32217  
p. 800.961.7370  
f. 800.961.7379  
[www.solerpalau-usa.com](http://www.solerpalau-usa.com)

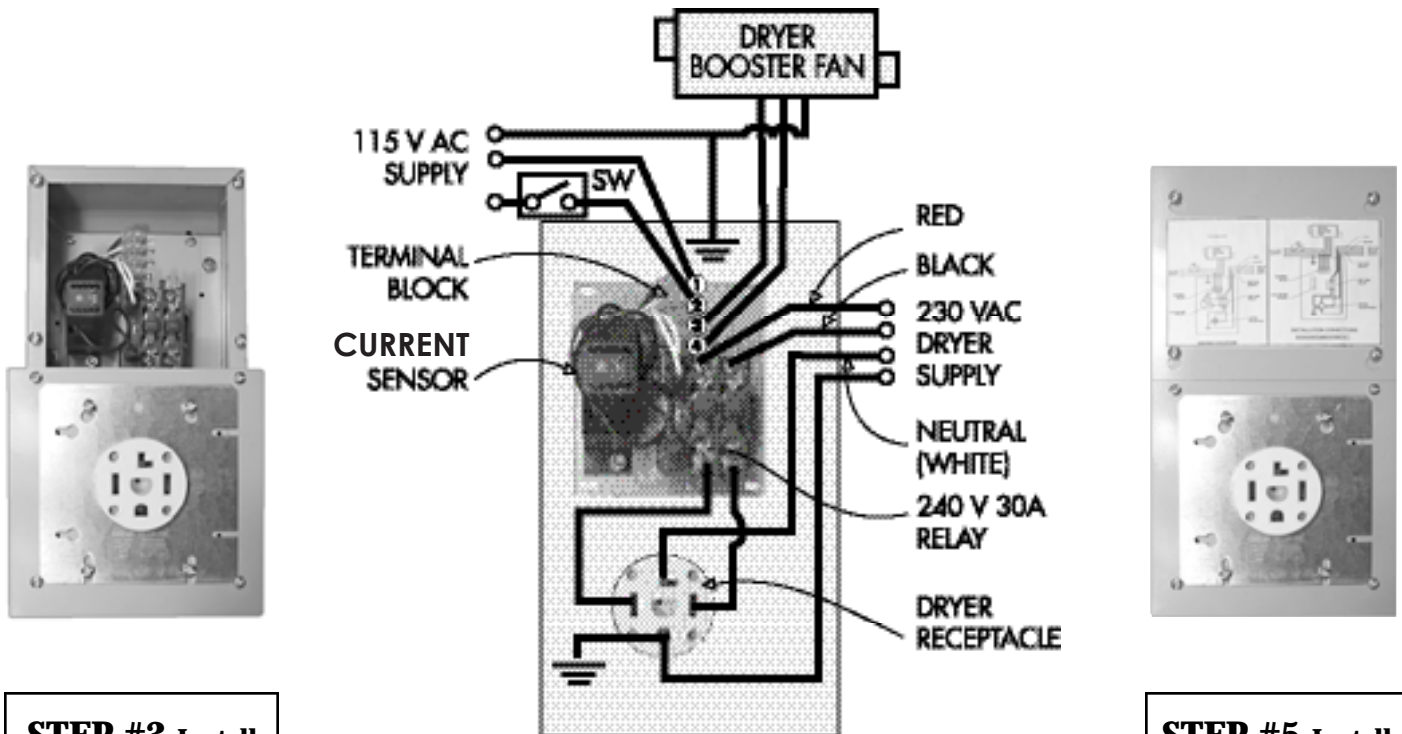


# Installation Instructions



**STEP #1** Install rough-in starter control box and provide power supply

**STEP #2** Install control assembly



**STEP #3** Install dryer receptacle

**STEP #4** Connect power supply

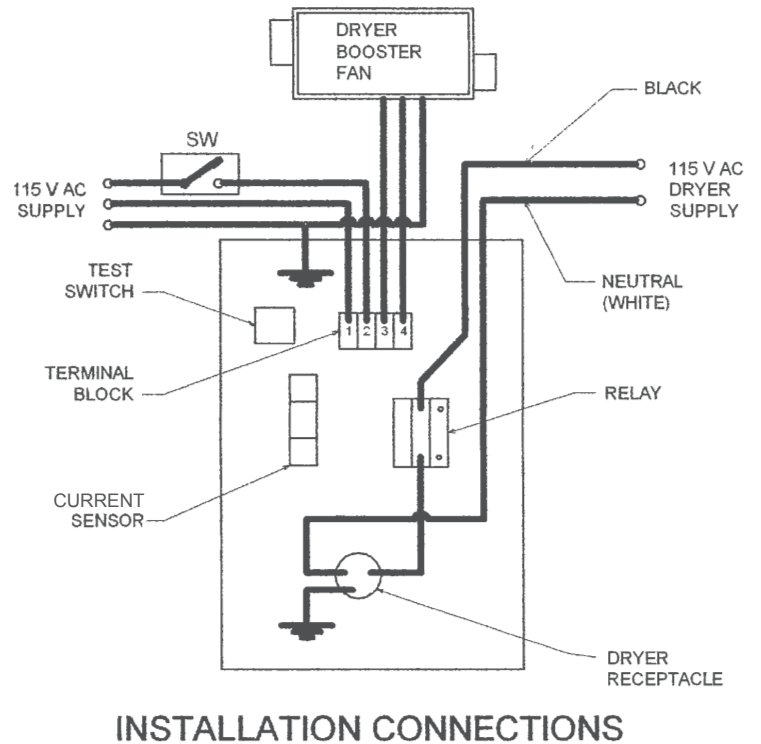
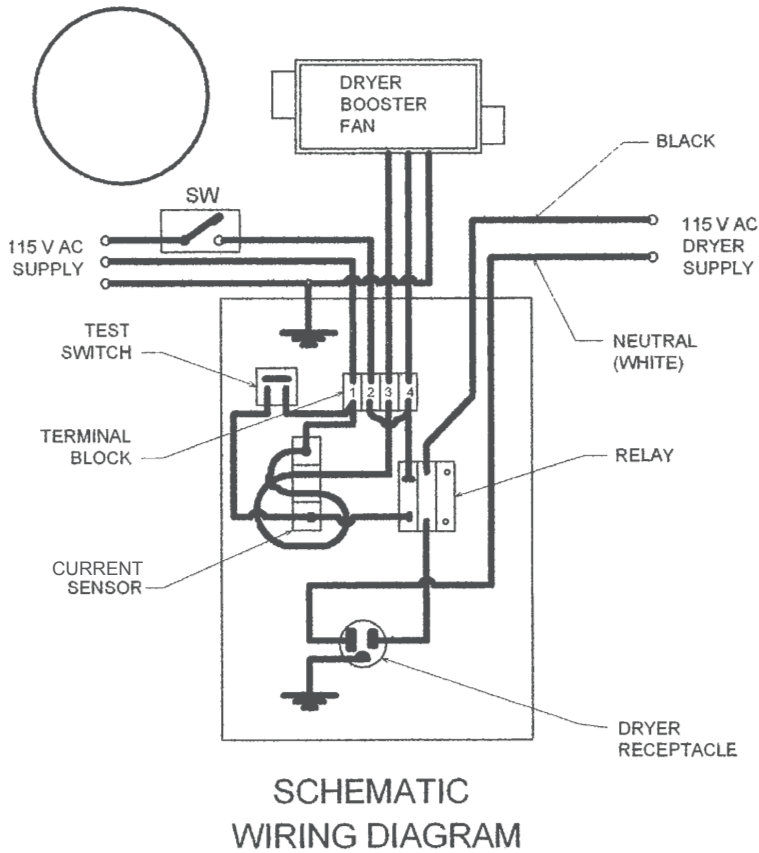
**STEP #5** Install cover plate

# Dryer Booster Fan Control

## IL115 & IL230

PUSH TO TEST  
DRYER

**FAN:** 115 V, 60Hz, 15A max.  
**DRYER:** 115 V, 60Hz, 15A max.



6393 Powers Avenue  
 Jacksonville, FL 32217  
 p. 800.961.7370  
 f. 800.961.7379  
[www.solerpalau-usa.com](http://www.solerpalau-usa.com)