

► **Code Number**

10001403

► **Description**

Complete HEU system with exposed, battery powered, sensor activated, Royal® OPTIMA Plus® SMOOTH® urinal Flushometer and vitreous china urinal fixture.

► **Flush Cycle**

0.125 gpf/ 0.5 Lpf

► **SPECIFICATIONS**

**Specifications**

Quiet, exposed, diaphragm type, chrome plated urinal Flushometer and vitreous china urinal with the following features:

**Fixture Specifications**

Integral flushing rim

100 % factory flush tested

Wall hung vitreous china

Washdown flushing action

All mounting hardware included

Carrier not included

Vandal resistant strainer assembly included

Compliant to the applicable sections of ASME A112.19.2/CSA B45.1

¾" I.P.S. top spud inlet

2" NPT outlet flange

**Flushometer Specification**

Non-Hold-Open Operation

ADA compliant Solis solar powered infrared sensor for automatic "Hands-free" operation

Infrared Sensor with Multiple-focused, Lobular Sensing Fields for high and low target detection

Non-Hold-Open Handle, Fixed Metering Bypass and no external volume adjustment to ensure water conservation

Flush accuracy controlled by CID® technology

Diaphragm, Stop Seat and Vacuum Breaker molded from PERMEX® rubber compound for chloramine resistance

Sweat Solder Adapter w/Cover Tube and Cast Wall Flange w/Set Screw

¾" I.P.S. Screwdriver Bak-Chek® Angle Stop

Valve Body, Cover, Tailpiece and Control Stop shall be in conformance with ASTM Alloy Classification for Semi-Red Brass. Valve shall be in compliance to the applicable sections of ASSE 1037/ ASME A112.19.2/CSA B45.1

Spud coupling and flange for ¾" top Spud

PERMEX® Synthetic Rubber Diaphragm with Dual Bypass

**OPTIMA Plus® SMOOTH® Unit**

ADA compliant OPTIMA Plus® SMOOTH® battery powered infrared sensor for automatic "Hands-free" operation

Mechanical Manual Override Flush Handle

Four (4) size C batteries included

"User in View" flashing LED

25 to 80 psi operating range

"Vandal resistant 1/8" ball-type hex key included"

Sensor with automatic range adjustment

Chrome plated metal sensor housing



► **FEATURES**

**Automatic**

Sloan SMOOTH® equipped Flushometers provide the ultimate in sanitary protection and automatic operation. There is no need for AC hookups or wall alterations. The Flushometer operates by means of a battery powered infrared sensor. True mechanical manual override button enables the Flushometer to work in the event of a power failure. State-of-the-art technology enables activation of a manual override without "double flushing" occurring as the user departs (locks out sensor for approximately 10 seconds).

**Hygienic**

The Royal® OPTIMA® SMOOTH® Flushometer System is the next advancement in hygiene. User makes no physical contact with the Flushometer surface except to initiate the Mechanical Manual Override Flush Handle when required. Helps control the spread of infectious diseases.

**Economical**

Sloan installed batteries speed installation and provide years of metered flushing to control the use of water and energy. Batteries can be changed without turning off the water.

► **NOTE**

Plumbing System Requirements

Minimum Flowing Pressure: 25 PSI / Minimum Flow Rate: 18 GPM /

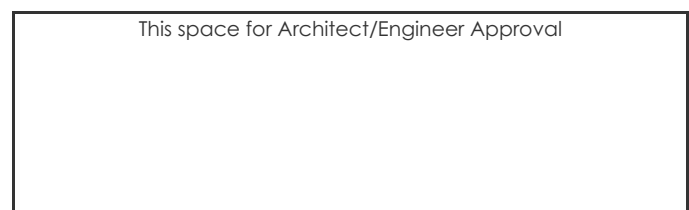
Maximum Fixture Static Pressure: 80 PSI

Maximum Fixture Static Pressure: 80 PSI

► **Compliance & Certifications**



ASME A112.1.3



"Low Battery" flashing LED

### ► ELECTRICAL SPECIFICATIONS

#### Control Circuit

6 VDC input, 8 second arming delay, 72 hour Sentinel Flush

#### Sensor Type

Active Infrared with Automatic Adjustment

#### Sensor Range

Normal Range (recommended for Water Closets) with 2 – 3 second flush delay: 26" – 32" (660 mm – 813 mm)

Normal Range (recommended for Water Closets) with 1 – 2 second flush delay: 26" – 32" (660 mm – 813 mm)

Reduced Range (recommended for Urinals) with 1 – 2 second flush delay: 20" – 26" (508 mm – 660 mm)

#### Battery Type

(4) C Alkaline

#### Battery Life

2 Years @ 4,000 Flushes/Month

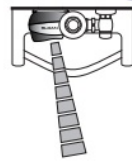
#### Indicator Lights

User in View

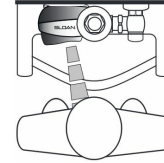
#### Valve Operating Pressure (Flowing)

25 – 80 psi (172-552 kPa)

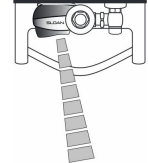
### ► OPERATION



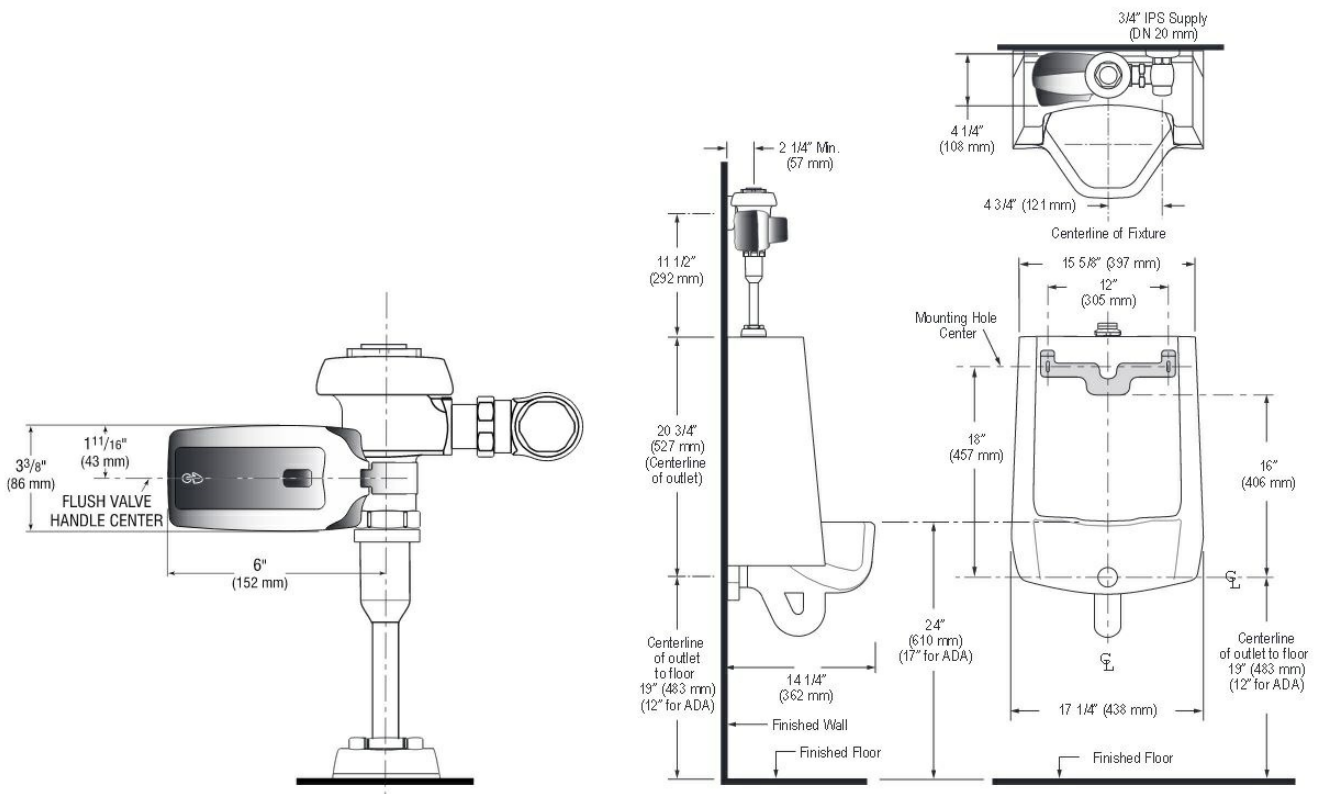
1. A continuous, invisible light beam is emitted from the SMOOTH unit's Infrared Sensor.



2. When the user enters the sensor's effective range, the Red LED light in the sensor window flashes for eight seconds. After eight seconds of sensing the user, the light will stop flashing and the unit waits for the user to step away before initiating a flush cycle.



3. When the user steps away, the unit initiates a flush cycle. The unit then automatically resets and is ready for the next user.



### ► Disclaimer

NOTE: All vitreous china dimensions shown in these drawings are nominal and not to scale. Dimensions can vary within the tolerances established in the governing ASME A112.19.2/CSA B45.1 standard. It is important to consider this when planning rough-in and plumbing layouts.

All information contained within this document subject to change without notice.