

Model

**WETS 2052.1002-1.6/1.1 WES DF**

Manual HET Dual Flush Flushometer and HET Dual Flush Wall Hung Water Closet

**DESCRIPTION**

Complete HET system with exposed manual Royal® dual-flush Flushometer and vitreous china Dual Flush wall hung fixture.

**Flush Cycle**

Model WETS 2052.1002-1.6/1.1 WES

(Down 1.6 gpf/6.0 Lpf, Up 1.1 gpf/4.2 Lpf)

Code: 20521002



Meets the American Disabilities Guidelines and ANSI A117.1 requirements when installed according to these requirements.

**NOTE:**

Plumbing System Requirements

- Minimum **Flowing** Pressure: 25 PSI
- Minimum Flow Rate: 18 GPM
- Maximum Static Pressure: 80 PSI

**SPECIFICATIONS**

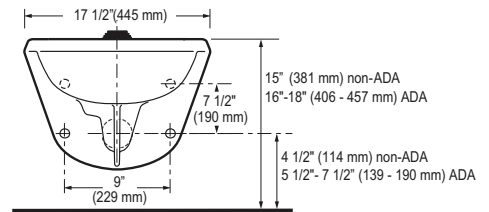
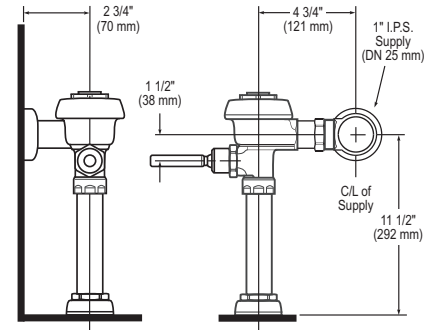
Quiet, exposed, diaphragm type, chrome plated closet Flushometer and vitreous china wall hung water closet with the following features:

**Dual Flush Flushometer**

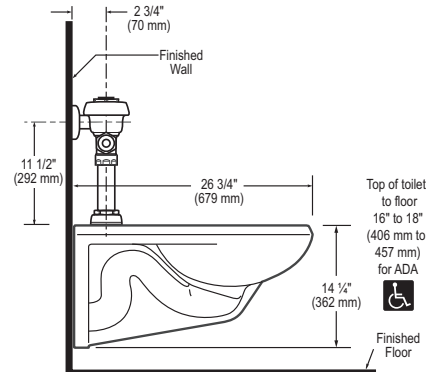
- PERMEX® Synthetic Rubber Diaphragm with Dual Filtered Fixed Bypass
- Lifting Handle UP initiates reduced flush (1.1 gpf/ 4.2 Lpf), eliminating liquid and paper waste, saving a 1/2-gallon of water
- Pushing Handle DOWN initiates full flush (1.6 gpf/ 6.0 Lpf), eliminating solid waste and paper
- Antimicrobial Coating on Handle protects against germs
- ADA compliant metal oscillating Non-Hold-Open Handle with Triple Seal Handle Packing
- 1" I.P.S. Screwdriver Bak-Chek® Angle Stop
- High Back Pressure Vacuum Breaker Flush Connection with One-piece Bottom Hex Coupling Nut
- Spud Coupling and Flange for 1-1/2" Top Spud
- Sweat Solder Adapter with Cover Tube and Cast Wall Flange with Set Screw
- Non-Hold-Open Handle, Fixed Metering Bypass and no external volume adjustment to ensure water conservation
- Flush accuracy controlled by CID® technology
- Diaphragm, Handle Packing, Stop Seat and Vacuum Breaker molded from PERMEX® rubber compound for chloramine resistance
- Valve Body, Cover, Tailpiece and Control Stop shall be in conformance with ASTM Alloy Classification for Semi-Red Brass. Valve shall be in compliance to the applicable sections of ASSE 1037.

**Dual Flush Fixture**

- Wall hung vitreous china dual flush elongated bowl
- Siphon jet flushing action
- 1-1/2" I.P.S. top spud inlet
- 2 1/8" fully glazed trapway diameter
- Integral flushing rim
- Water spot area 9 1/2" x 8 1/4"
- Mounting hardware, carrier and toilet seat not included
- Recommended seats:  
Bemis - 1955CT/1955SCT & 2155CT/2155SCT  
Church - 295CT/295SCT & 2155CT/2155SCT
- Water closet shall be in compliance to the applicable sections of ASME A112.19.2/CSA B45.1
- Compliant with Buy American Act when purchased as a combination



Designed to meet ADA standards when bowl is 17" - 19" high including seat



**NOTE:** All vitreous china dimensions shown in these drawings are nominal. Dimensions can vary within the tolerances established in the governing ASME A112.19.2/CSA B45.1 standard. Please take this into consideration when planning rough-in and plumbing layouts.



**SLOAN**

Sloan Valve Company  
10500 Seymour Avenue  
Franklin Park, IL 60131  
Phone: 1-800-9-VALVE-9 (982-5839)  
or 1-847-671-4300  
Fax: 1-800-447-8329 or 1-847-671-4380  
www.sloanvalve.com

Copyright © 2013 Sloan Valve Company  
WETS-2052.1002 12-13

This space for Architect/Engineer approval	
Job Name	Date
Model Specified	Quantity
Variations Specified	
Customer/Wholesaler	
Contractor	
Architect	

The information contained in this document is subject to change without notice.