

## SENSOR-OPERATED WALL-MOUNT LIQUID SOAP DISPENSER



The SJS-1050 sensor-operated soap dispenser is the next evolution in dispenser technology. It uses a bag-type refill that simplifies replacement and reduces waste.

Its battery-driven sensor technology delivers a pre-measured amount of liquid soap per application – giving approximately 1000 uses per refill.

The sight glass indicates low soap level.

- Automatically delivers pre-measured soap per use
- Sensor-technology activates soap dispensing
- Hand-free operation promotes hygiene
- Attaches to any wall in minutes
- Replaceable batteries (4 C cell batteries)

**Product Number: SJS-1050**

**Product Code: 7000002**

**Color:** Chrome

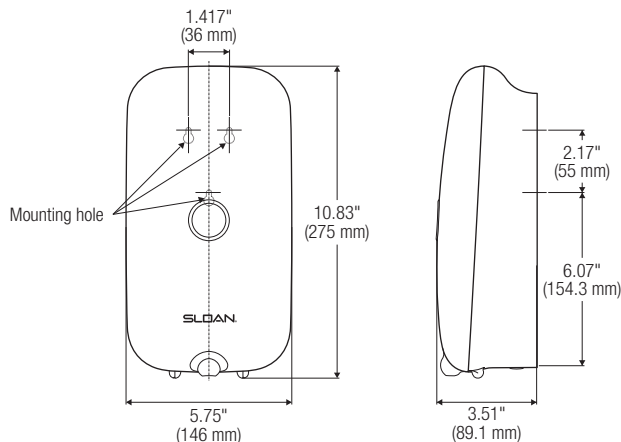
**Size:** W 5.75" x D 3.51" x H 10.83"  
(W 146 mm x D 89.1 mm x H 275 mm)

**Quantity/pack:** 1

**Quantity/case:** 6

### Refills:

Product No.	Description	Order No.
<b>SJS-1051</b>	Sensor Wall-Mount Liquid Soap	5700400



The information contained in this document is subject to change without notice.

## SLOAN®

Sloan HEALTHMINDER™ Products  
10500 Seymour Avenue  
Franklin Park, IL 60131-1259  
Phone: 877-652-6726  
Fax: 800-447-8329  
www.sloanvalve.com