



Hydraulic Royal® Model Flushometer

939
939-2.4
939-1.6

► Description

Concealed Hydraulically Operated Water Closet Flushometer, for back inlet squat toilet.

► Flush Cycle

- Model 939 Water Saver (3.5 gpf/13.2 Lpf)
- Model 939-2.4 (2.4 gpf/9.0 Lpf)
- Model 939-1.6 Low Consumption (1.6 gpf/6.0 Lpf)

► Specifications

Quiet, Concealed, Diaphragm Type, Rough Brass Closet Flushometer for either left or right hand supply with the following features:

- Dual Filtered By-pass
- ADA Compliant Non-Hold-Open feature type Actuator (**specify Actuator type listed below**)
- 1" I.P.S. Wheel Handle Bak-Chek™ Angle Stop
- Adjustable Tailpiece
- Vacuum Breaker Flush Connection for 1½" Back Inlet
- Sweat Solder Adapter
- Diaphragm, Stop Seat and Vacuum Breaker to be molded from PERMEX™ rubber compound for Chloramine resistance

Valve Body, Cover, Tailpiece and Control Stop shall be in conformance with ASTM Alloy Classification for Semi-Red Brass. Valve shall be in compliance to the applicable sections of ASSE 1037, ANSI/ASME 112.19.6, and Military Specification V-29193.

► L Dimension

Specify the "L" Dimension for the proper length of the Flush Connection. The "L" Dimension is equal to the Wall Thickness (to the nearest whole inch) plus 2¾".

► Actuator Types: (please check one)

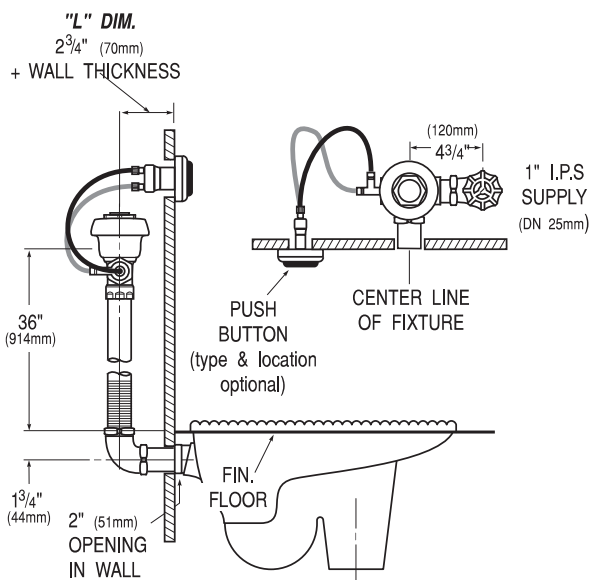
- FW** Fixture Wall Actuator (HY-33-A) (rear access required)
- MP** Metal Partition Actuator (HY-49-A)
- SW** Side Wall Mounted Actuator (HY-72-A)
- MBFW** Metal Button Fixture Wall Actuator (HY-100-A) (rear access required)
- MBPM** Metal Button Panel Mount (HY-108-A)

See Actuator Specification pages in this section for details on Actuators.

► Variations

XYV Less Vacuum Breaker

See Accessories Section of the Sloan catalog for details on these and other Flushometer variations.



Listed by I.A.P.M.O.

This space for Architect/Engineer approval

The information contained in this document is subject to change without notice.

SLOAN®

Made in the U.S.A.

SLOAN VALVE COMPANY • 10500 SEYMOUR AVE. • FRANKLIN PARK, IL 60131
PHONE: 1-800 982-5839 • FAX: 1-800 447-8329 • <http://www.sloanvalve.com>