

MIX-135-A

► **Description**

Below Deck Thermostatic Water Mixing Valve for use with a single Sloan Optima[®] faucet.

► **Model**

□ Model MIX-135-A

Supplied with Sloan Optima[®] and Optima Plus[®] faucets that are specified with the "BDT" (Below Deck Thermostatic) variation, or available separately.

► **Specifications**

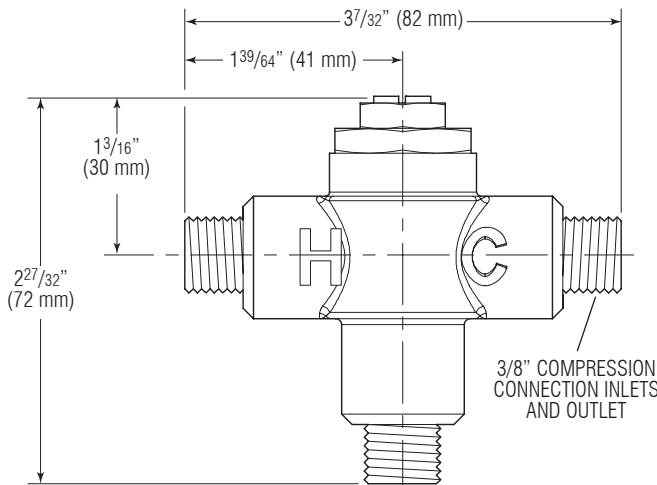
Thermostatic Water Mixing Valve with the following features:

- Designed for under-the-lavatory applications where the outlet temperature of hot water must be controlled for safe, economic use.
- Installs in place of the Tee fitting supplied with the faucet prior to the solenoid valve.
- Designed to quickly sense and compensate for temperature fluctuations induced by water temperature and pressure changes in the supply line.
- Rugged construction features solid brass valve body and corrosion resistant internal components.
- Water temperature adjustment stem with lock nut to prevent tampering.
- Equipped with integral check valves at inlets.
- 3/8" compression connection on inlets and outlet
- Meets all the performance standards of **ASSE 1016** and **CSA B125**.

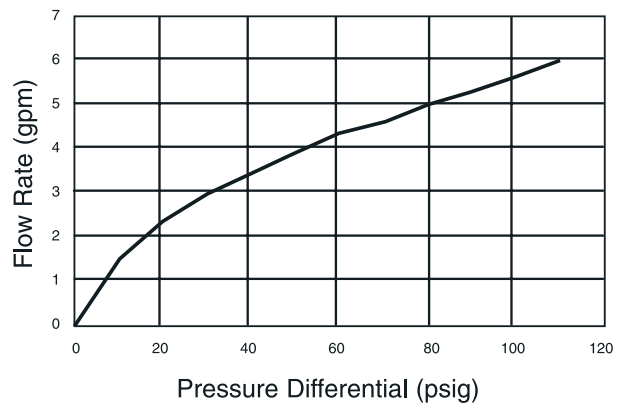
- Capacity — standard: 4.0 gpm (15.0 Lpm) †
- Maximum hot water supply temperature: 212° F (100° C)
- Minimum hot water supply temperature: 5° F (2.8° C) above set point
- Maximum operating pressure: 125 psig (862 kPa)
- Maximum static pressure: 125 psig (862 kPa)
- Temperature range — standard:
 - ASSE Type T/P 95°-110° F (35°-48° C)
 - Type T 80°-120° F (27°-49° C)
- Minimum flow — standard: 0.5 gpm (2.2 Lpm) to ASSE 1016
- Factory set: 105° F (40° C)

The MIX-135-A Thermostatic Tempering Valve meets the above operating conditions as stated in ASSE 1016 (45 PSI differential (310 kPa)), with hot water supply between 140°-180° F (60°-82° C), cold water supply less than 70° F (21° C). If your operating conditions vary from those stated in the standard, performance may vary as well.

† At 45 PSI differential (310 kPa), with hot water supply between 140°-180° F (60°-82° C).



Flow Rate vs. Pressure Drop



Made in the U.S.A.

SLOAN VALVE COMPANY • 10500 SEYMOUR AVE. • FRANKLIN PARK, IL. 60131
 Phone: 1-800-9-VALVE-9 or 1-847-671-4300 • Fax: 1-800-447-8329 or 1-847-671-4380
 www.sloanvalve.com

This space for Architect/Engineer approval

Job Name _____ Date _____

Model Specified _____ Quantity _____

Variations Specified _____

Customer/Wholesaler _____

Contractor _____

Architect _____