

ELS-72000 SERIES



► Description

Double Station Solid Surface Lavatory System Equipped with Sloan OPTIMA® Sensor Activated Faucets.

► Models

- ELS-72080 Two Station SloanStone Lavatory with **ETF-80** Faucets
- ELS-72085 Two Station SloanStone Lavatory with **EBF-85** Faucets
- ELS-72100 Two Station SloanStone Lavatory with **EAF-100** Faucets
- ELS-72150 Two Station SloanStone Lavatory with **EAF-150** Faucets
- ELS-72200 Two Station SloanStone Lavatory with **EAF-200** Faucets
- ELS-72225 Two Station SloanStone Lavatory with **EAF-225** Faucets
- ELS-72250 Two Station SloanStone Lavatory with **EAF-250** Faucets
- ELS-72275 Two Station SloanStone Lavatory with **EAF-275** Faucets
- ELS-72187 Two Station SloanStone Lavatory with **EBF-187** Faucets
- ELS-72610 Two Station SloanStone Lavatory with **ETF-610** Faucets
- ELS-72615 Two Station SloanStone Lavatory with **EBF-615** Faucets
- ELS-72600 Two Station SloanStone Lavatory with **ETF-600** Faucets
- ELS-72650 Two Station SloanStone Lavatory with **EBF-650** Faucets
- ELS-72210 Two Station Sloanstone Lavatory with **SF-2100** Faucets
- ELS-72215 Two Station Sloanstone Lavatory with **SF-2150** Faucets
- ELS-72220 Two Station Sloanstone Lavatory with **SF-2200** Faucets
- ELS-72225 Two Station Sloanstone Lavatory with **SF-2250** Faucets
- ELS-72230 Two Station Sloanstone Lavatory with **SF-2300** Faucets
- ELS-72235 Two Station Sloanstone Lavatory with **SF-2350** Faucets

► Specifications

Double Station Lavatory System with Sloan Sensor Activated, Chrome Plated Hand Washing Faucets with the following features:

- Dual protected integrated overflows
- 1¼" chrome plated brass drains with grid strainers
- Basin and Cabinet End Caps constructed of durable SloanStone solid surface material
- Concealed Cabinet Frame constructed of heavy duty 16 gauge type 304 stainless steel accented with 18 gauge brushed stainless steel Front Panels
- No visible fasteners or obvious access points
- Below deck Thermostatic Mixing Valve, standard
- All ADA and TAS lavatory standards achieved in a single design
- Aesthetically pleasing soft contoured one-piece continuous Basin

Sloan Optima® Electronics feature:

- For more information, please refer to the Faucet Specification Sheet

► Variations

- MSD** Soap Dispenser - ESD-350 (battery model), ESD-300 (AC plug-in transformer model)
- BSD** Soap Dispenser - SJS-1650 (SJS-7 AC adaptor provided with plug-in transformer model)

Other options available, contact your Sloan Representative for special requests.

► Colors

- | | |
|---|---|
| <input type="checkbox"/> WH White | <input type="checkbox"/> MLG Matrix Light Gray |
| <input type="checkbox"/> CO Cameo | <input type="checkbox"/> MDG Matrix Dark Gray |
| <input type="checkbox"/> BO Bone | <input type="checkbox"/> MGR Matrix Green |
| <input type="checkbox"/> PH Peach | <input type="checkbox"/> MBR Matrix Brown |
| <input type="checkbox"/> AL Almond | <input type="checkbox"/> MBO Matrix Bone |
| <input type="checkbox"/> SH Shell | <input type="checkbox"/> MLB Matrix Light Blue |
| <input type="checkbox"/> PE Pea | <input type="checkbox"/> MSA Matrix Sand |
| <input type="checkbox"/> BI Biscuit | <input type="checkbox"/> MDB Matrix Dark Blue |
| <input type="checkbox"/> MWH Matrix White | <input type="checkbox"/> MDU Matrix DusK |
| <input type="checkbox"/> MSI Matrix Silver | <input type="checkbox"/> MKH Matrix Khaki |
| <input type="checkbox"/> MPI Matrix Pink | <input type="checkbox"/> MSU Matrix Summit |
| <input type="checkbox"/> MJA Matrix Jade | |

► Warranty — 3 year (limited)

The New SloanStone™ Lavatory System — The Perfect Match

The performance and dependability of Sloan Optima® faucets are combined with the durability and versatility of solid surface in the new SloanStone™ Lavatory System.

Hygienic and durable, SloanStone™ is stain, chemical, scratch and impact resistant. A rugged stainless steel frame supports the structure and ensures its unrivaled stability and strength, while still providing the fastest and easiest installation and maintenance available.

SloanStone™ sinks can be provided with any one of Sloan's many battery or hardwire Optima® sensor activated faucets and soap dispensers, providing the ultimate in water conservation and hygiene. These features, combined with the unique styling and myriad color options of our solid surface, make SloanStone™ the perfect choice for virtually any restroom installation.



The lavatory system is designed to comply with all applicable ADA, UFAS, Texas Accessibility Standards (TAS), and ANSI Z124.3 and Z124.6 accessibility guidelines when mounted at the recommended rim height.

Regulatory Agency approvals available upon request.

Sloan Optima Faucets are:



LISTED 376U



Listed by I.A.P.M.O.



This space for Architect/Engineer approval	
Job Name _____	Date _____
Model Specified _____	Quantity _____
Variations Specified _____	
Customer/Wholesaler _____	
Contractor _____	
Architect _____	

The information contained in this document is subject to change without notice.

ELS-72000 SERIES

Double Station Lavatory System

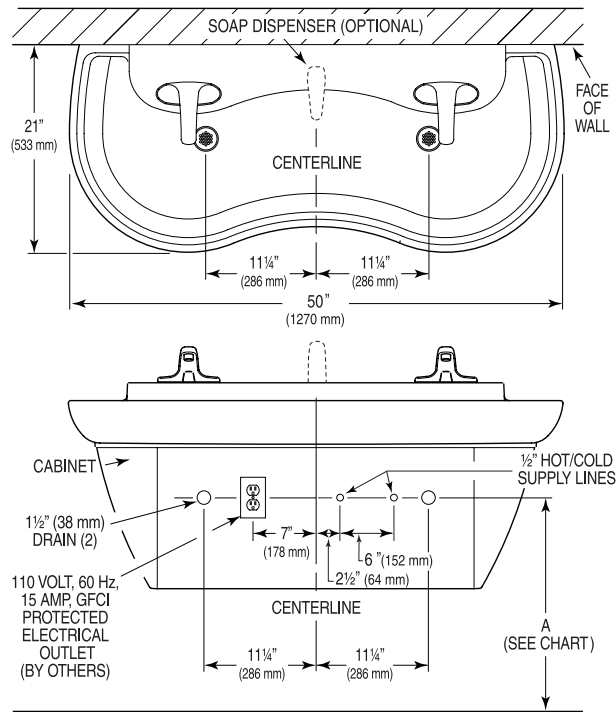
FAUCET OPTIONS



SOAP DISPENSER OPTIONS



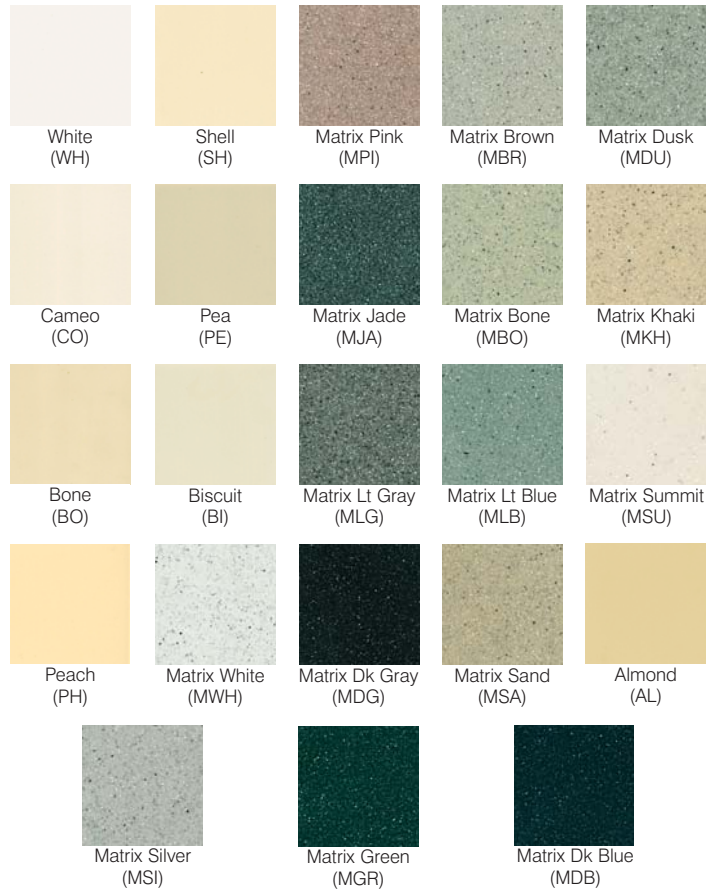
ROUGH-IN



Consult local electrical codes for the mounting location of the 110/24 VAC Class 2 transformer.

For additional technical information, contact the Sloan Installation Engineering Department at 1-888-SLOAN-14 (1-888-756-2614) or techsupport@sloanvalve.com.

SLOANSTONE COLORS

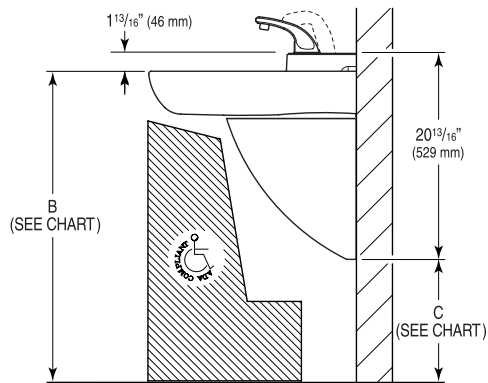
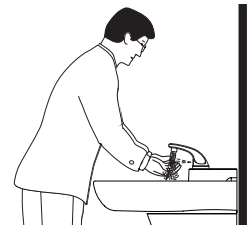


Expanded color options available at: www.sloanstonesinks.com.

For in stock availability and quick-ship options please contact your local Sloan representative.

OPERATION

As the user's hands enter the beam's effective range, the beam is reflected back into the sensor receiver and activates the solenoid valve allowing water to flow from the faucet. Water will flow until user's hands are removed or until the faucet reaches its automatic time out limit setting.



VARIABLE MOUNTING HEIGHT CHART

WHEELCHAIR	DIMENSION DESCRIPTION	T.A.S. AGES 4-10	T.A.S. AGES 11-15	A.D.A. STANDARD
	A ROUGH-IN	20-1/2" (521 mm)	22-1/2" (572 mm)	24" (610 mm)
	B RECOMMENDED RIM HEIGHT	29-7/8" (759 mm)	31-7/8" (810 mm)	33" (838 mm)
	C FLOOR CLEARANCE	10-7/8" (276 mm)	12-7/8" (327 mm)	14" (356 mm)

SLOAN VALVE COMPANY • 10500 SEYMOUR AVENUE • FRANKLIN PARK, IL 60131

Phone: 1-800-982-5839 or 1-847-671-4300 • Fax: 1-800-447-8329 or 1-847-671-4380 • www.sloanvalve.com