



INSTALLATION INSTRUCTIONS FOR DOUBLE AND TRIPLE STATION SENSOR ACTIVATED SOLID SURFACE LAVATORY SYSTEMS



ELS-72000
Double Station
Sensor Activated
Solid Surface Lavatory System
(Shown with EAF-275 Faucet)



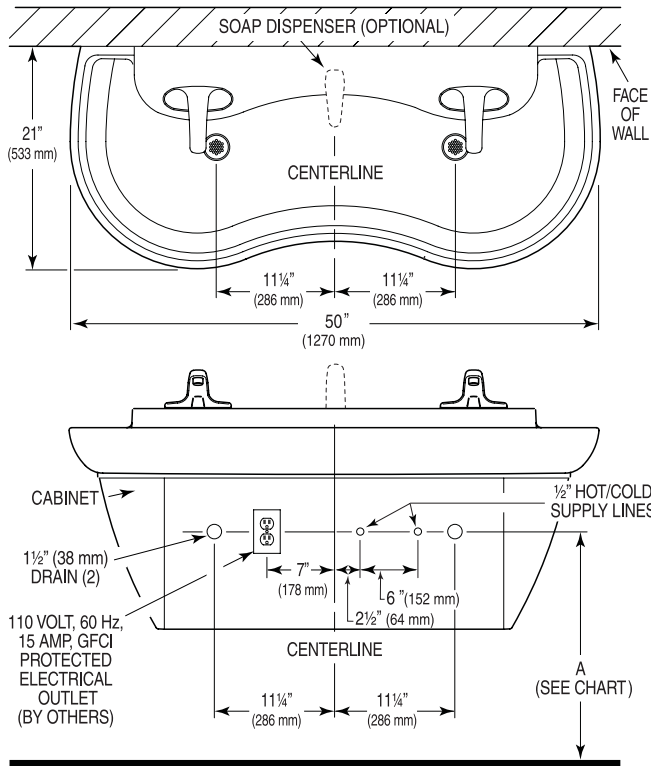
ELS-73000
Triple Station
Sensor Activated
Solid Surface Lavatory System
(Shown with EAF-275 Faucet)

LIMITED WARRANTY

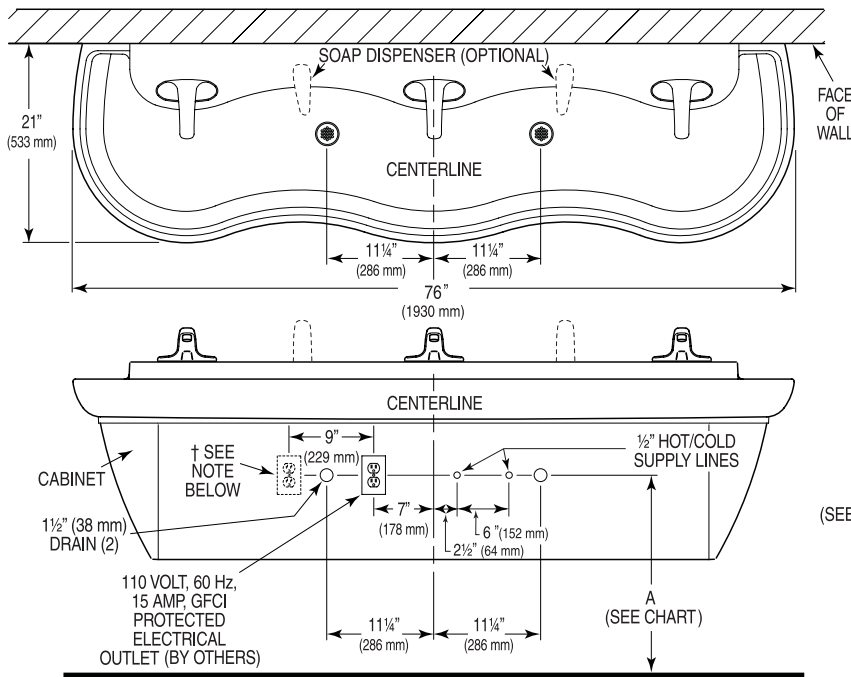
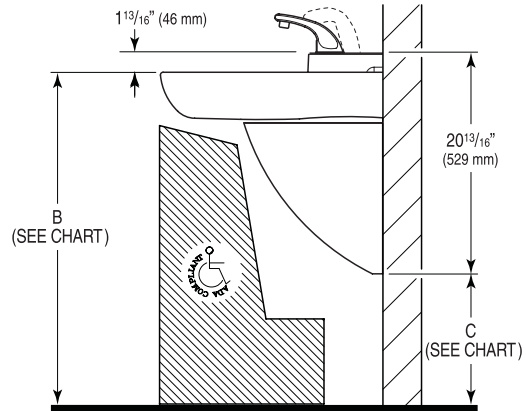
Sloan Valve Company warrants its Optima ELS-70000 Series Lavatory Systems to be made of first class materials, free from defects of material or workmanship under normal use and to perform the service for which they are intended in a thoroughly reliable and efficient manner when properly installed and serviced, for a period of three years (1 year for special finishes) from date of purchase. During this period, Sloan Valve Company will, at its option, repair or replace any part or parts which prove to be thus defective if returned to Sloan Valve Company, at customer's cost, and this shall be the sole remedy available under this warranty. No claims will be allowed for labor, transportation or other incidental costs. This warranty extends only to persons or organizations who purchase Sloan Valve Company's products directly from Sloan Valve Company for purpose of resale.

THERE ARE NO WARRANTIES WHICH EXTEND BEYOND THE DESCRIPTION ON THE FACE HEREOF. IN NO EVENT IS SLOAN VALVE COMPANY RESPONSIBLE FOR ANY CONSEQUENTIAL DAMAGES OF ANY MEASURE WHATSOEVER.

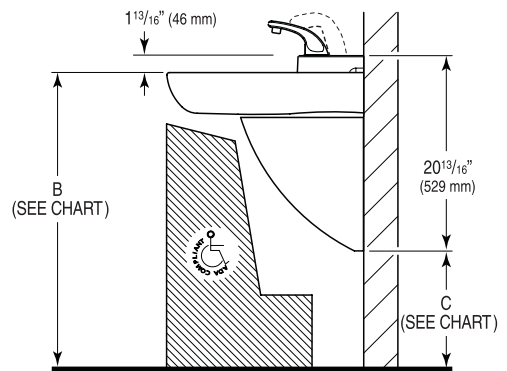
LAVATORY SYSTEM ROUGH-IN (Shown with ETF-600/EBF-650 Faucets)



MODEL ELS-72000
Double Station Lavatory System
 Lavatory System Weight (Packaged):
 Approximately 88 Lbs/40 Kg



MODEL ELS-73000
Triple Station Lavatory System
 Lavatory System Weight (Packaged):
 Approximately 130 Lbs/59 Kg



† An additional electrical outlet is required when installing two hardwire soap dispensers in conjunction with hardwire Faucets.

VARIABLE MOUNTING HEIGHT CHART				
⦿	DIMENSION DESCRIPTION	T.A.S. AGES 4-10	T.A.S. AGES 11-15	A.D.A. STANDARD
A	ROUGH-IN	20-1/2" (521 mm)	22-1/2" (572 mm)	24" (610 mm)
B	RECOMMENDED RIM HEIGHT	29-7/8" (759 mm)	31-7/8" (810 mm)	33" (838 mm)
C	FLOOR CLEARANCE	10-7/8" (276 mm)	12-7/8" (327 mm)	14" (356 mm)
D	NOMINAL FRAME HEIGHT ‡	25-1/8" (638 mm)	27-1/8" (689 mm)	28-1/4" (718 mm)

‡ Refer to Step 3.

PRIOR TO INSTALLATION

Prior to installing the Sloan Optima ELS-70000 Series Lavatory System, install the items listed below. Also, refer to the appropriate rough-in diagram on Page 2.

- Electrical receptacle(s) – 120 VAC, 2 amp service for plug-in faucets and soap dispensers. The ELS-73000-xx-MSD 3-station sink with hardwire soap dispensers in conjunction with hardwire faucets require TWO electrical outlets (see rough-in on Page 2), all others require ONE.
- Hot and cold water supply lines or tempered water supply line (If there is no tempered water supply, install thermostatic mixing valve between hot and cold water supply)
- Drain lines

Important:

- **ADEQUATE STRUCTURAL SUPPORT IN OR BEHIND THE WALL IS REQUIRED. REFER TO THE APPROPRIATE ROUGH-IN DIAGRAM ON PAGE 2 FOR DRY WEIGHT OF SINK. STRUCTURAL SUPPORT MUST HAVE A MINIMUM PULLOUT RATING OF 1000 POUNDS (450 Kg) FOR EACH FASTENER.**
- ALL PLUMBING SHOULD BE INSTALLED IN ACCORDANCE WITH APPLICABLE CODES AND REGULATIONS.
- BEFORE CONNECTING SUPPLY LINES TO SUPPLY STOPS, FLUSH ALL WATER LINES UNTIL WATER IS CLEAR.

When installing transformer powered faucets and soap dispensers:

- ALL ELECTRICAL WIRING SHOULD BE INSTALLED IN ACCORDANCE WITH NATIONAL/LOCAL CODES AND REGULATIONS.
- A 24 VAC STEP-DOWN TRANSFORMER MUST BE USED FOR HARDWIRE APPLICATIONS.

- USE APPROPRIATE PRECAUTIONS WHILE CONNECTING TRANSFORMER TO 120 VAC POWER SOURCE.
- DO NOT PLUG TRANSFORMER INTO POWER SOURCE (RECEPTACLE) UNTIL ALL WIRING IS COMPLETED. PERMANENT DAMAGE TO THE TRANSFORMER AND CIRCUIT CONTROL MODULE WILL RESULT IF 24 VAC WIRES TOUCH EACH OTHER OR SHORT WHEN POWER SUPPLY IS ACTIVE.

TOOLS REQUIRED FOR INSTALLATION

- Electric drill for drilling anchor holes.
- Standard sockets and open end wrench set for installing anchoring fasteners and connecting water lines.
- Open end wrench for connecting water lines.
- Pipe wrench for installing drain lines.
- Phillips and straight blade screwdrivers.

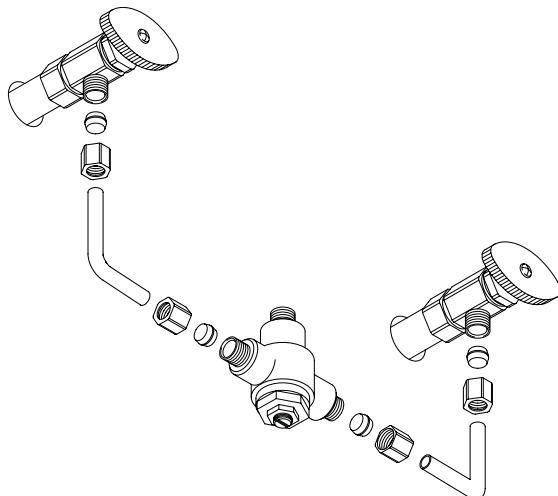
SINK LOCATION

Determine the appropriate wall location for the Lavatory System. Consider that hot and cold water supply lines, drain lines, and an electrical source (receptacle or wiring depending on type of transformer used when installing hardwire faucets and soap dispensers) will be required. Compare the physical dimensions of the Lavatory System to the space available for the installation. If wall is not load bearing, a carrier may be required behind the wall. Refer to the appropriate Rough-in diagram on Page 2 for Lavatory System dimensions.

Prior to Lavatory System installation, electric wiring (when installing hardwire faucets and soap dispensers), water supply and drain must be installed.

1 Install Thermostatic Mixing Valve

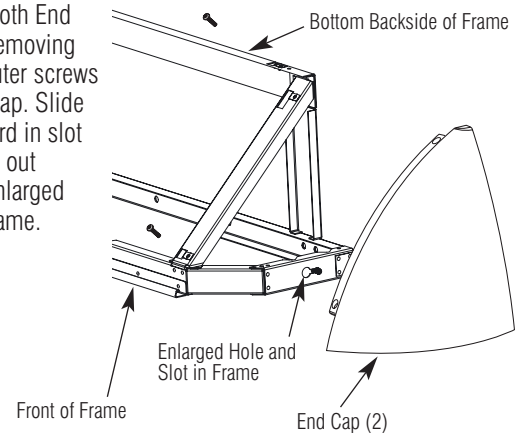
- A** If there is no tempered water supply, install Thermostatic Mixing Valve between hot and cold water supply.



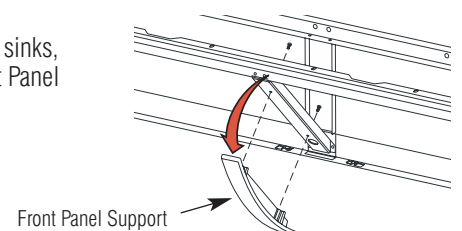
2 Remove End Caps from Frame

- A** Loosen (do not remove) screws on inside of frame.

- B** Remove both End Caps by removing the two outer screws on each Cap. Slide Cap forward in slot and pull it out through enlarged hole in Frame.



- C** For triple station sinks, remove the Front Panel Support.



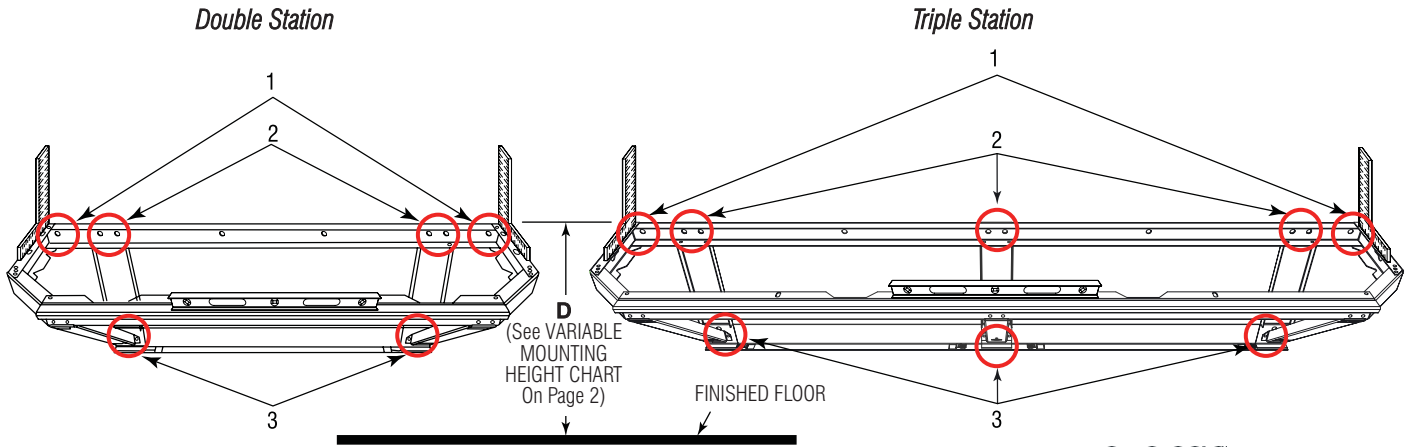
3 Mount Frame to Wall

A If desired, apply adhesive to back surfaces of Frame.

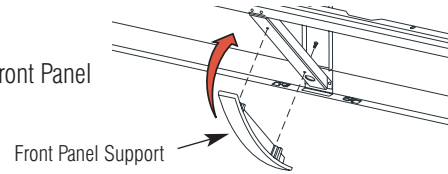
B Mount Frame to wall using 3/8" fasteners with **1000 lb min pull out strength** in the following locations:

1. Each hole in the extreme outer corners of top support
2. One of either of the two holes in the top position of each upright
3. The lower hole location in each upright

Fasteners may be optionally applied to any of the remaining mounting hole locations.
Level Frame in both directions before tightening fasteners securely.



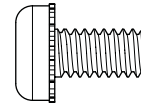
C For triple station sinks, reinstall the Front Panel Support.



D For installations including the optional SJS-1650 Soap Dispenser, refer to Soap Dispenser Pump Mounting Instructions on Page 6.

4 Mount Basin to Frame

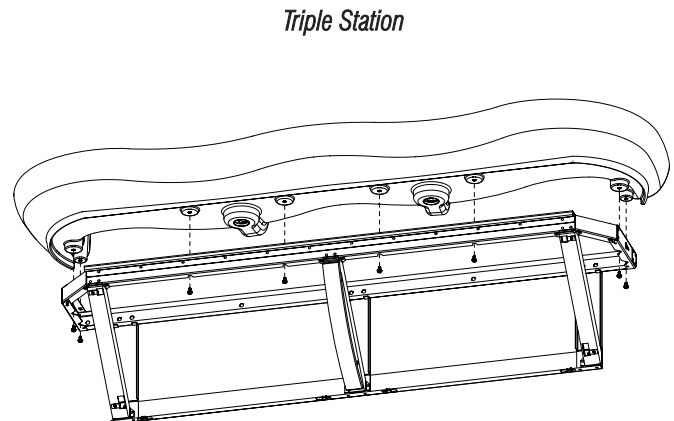
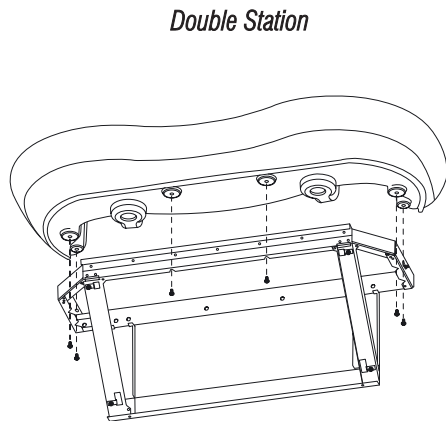
Note: If desired, Grid Strainers, Faucets and Soap Dispensers may be installed prior to mounting Basin to the Frame. Refer to Steps 5 and 6.



1/4" -20 x 1/2" Pan Head Screw (SEMS)
(Actual Size)

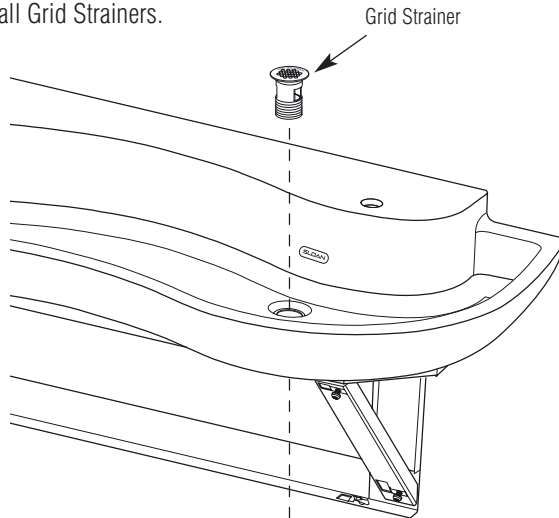
A Mount Basin to Frame using 1/4"-20 x 1/2" SEMS fasteners.

B If desired, apply caulk between Basin and wall.

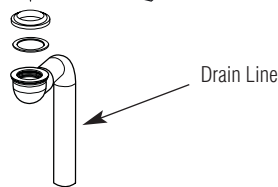


5 Install Grid Strainers and Connect Drain Line

A Install Grid Strainers.



B Plumb drain outlets to wall.



6 Install Faucets and Soap Dispensers

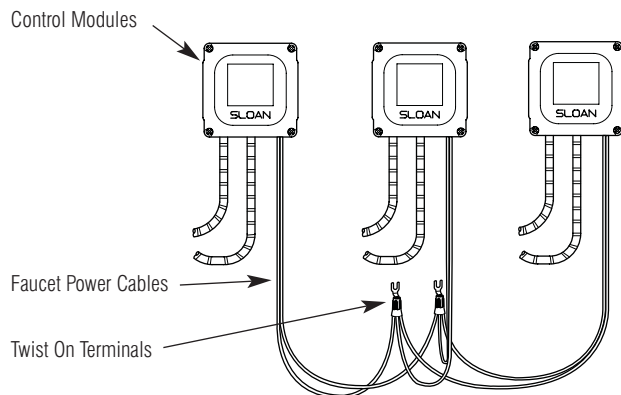
Install Faucets and Soap Dispensers as instructed in the installation instructions furnished with the Faucets and Soap Dispensers. Also see Step 7 for Transformer hookup.

FAUCET OPTIONS

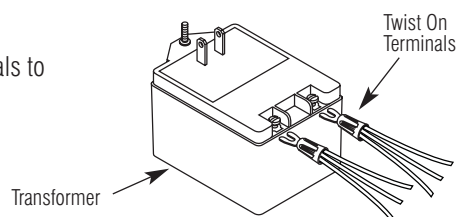


7 Connect Faucet Power Cables to Transformer and Plug Transformer into Receptacle

A Connect one Power Cable from each Control Module to a Twist On Terminal. Connect second Power Cable from each Control Module to a second Twist On Terminal.



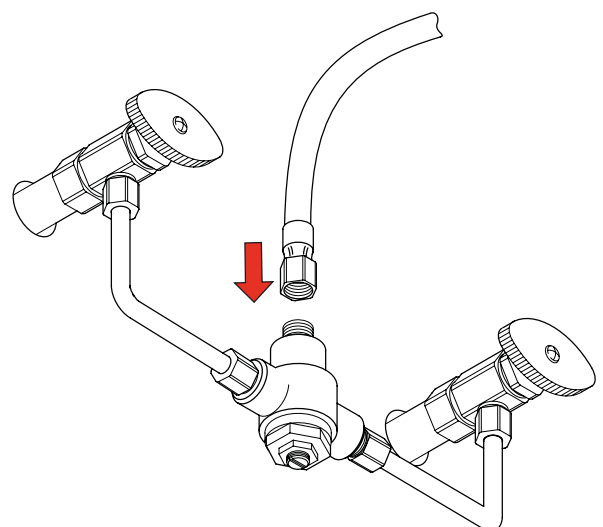
B Connect terminals to transformer.



C Plug Transformer into outlet.

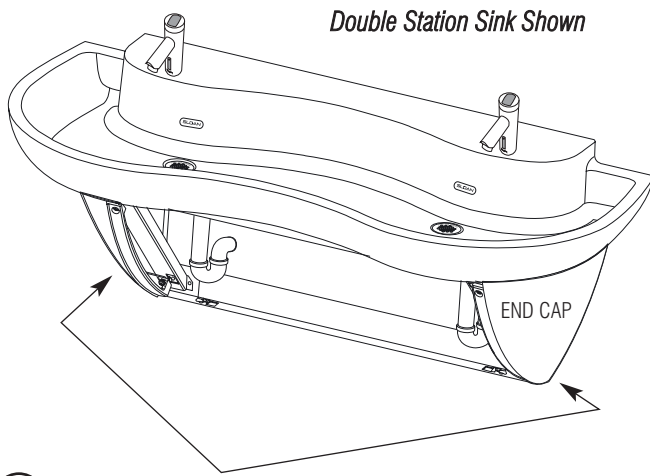
8 Connect Supply Line to Thermostatic Mixing Valve

A Install water Supply Line.



9 Turn on Water Supply, Check for Water Leaks and Install End Caps

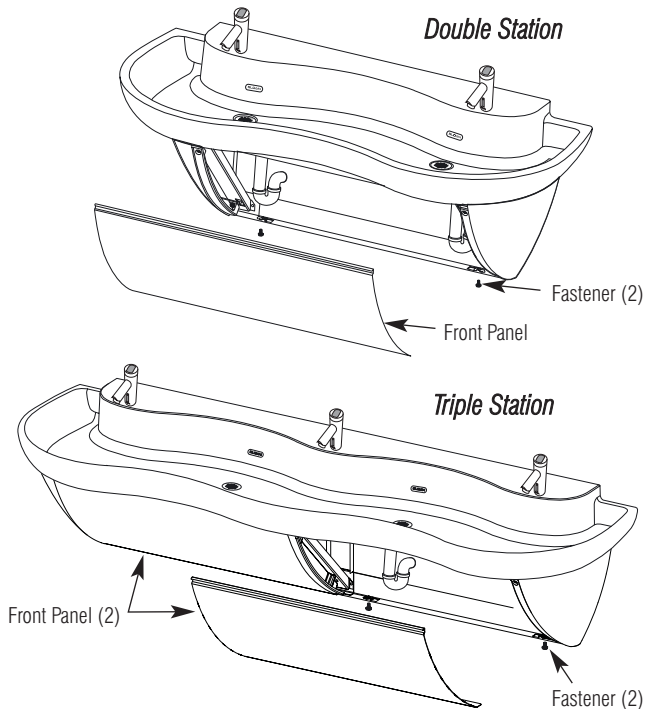
- A** Turn on water supply.
- B** Check all plumbing for water leaks.



- C** Replace End Caps. Insert the screw located on the inside of the Cap into the enlarged hole of the Frame. Then slide the Cap into place. Loosely install the two front screws. Slide End Cap UP to eliminate any gap between the End Cap and Basin. Tighten the inside screw securely. Lastly, tighten the two front screws securely. Follow the same procedure for the second End Cap.

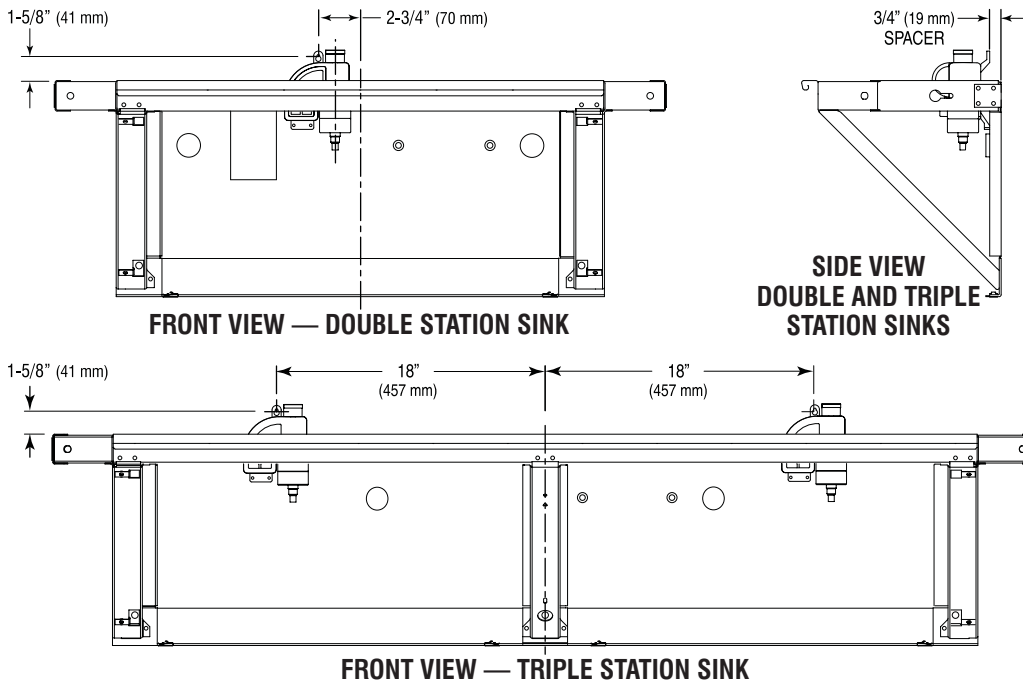
10 Install Front Panel(s)

- A** Replace Front Panel by hanging top lip of Panel into track of Trim Rail under Basin. Swing panel into position and affix with 2 Fasteners. For triple station sinks, repeat this procedure for second panel.



(Optional) SJS-1650 Soap Dispenser Pump Mounting Instructions

- A** Install Soap Dispenser Pump at the location(s) shown. Mount Soap Dispenser as instructed in the Installation Instructions furnished with the Soap Dispenser using spacers and extended length screws provided.



Troubleshooting Guide

See Troubleshooting section in the installation instructions furnished with the faucets and soap dispensers.

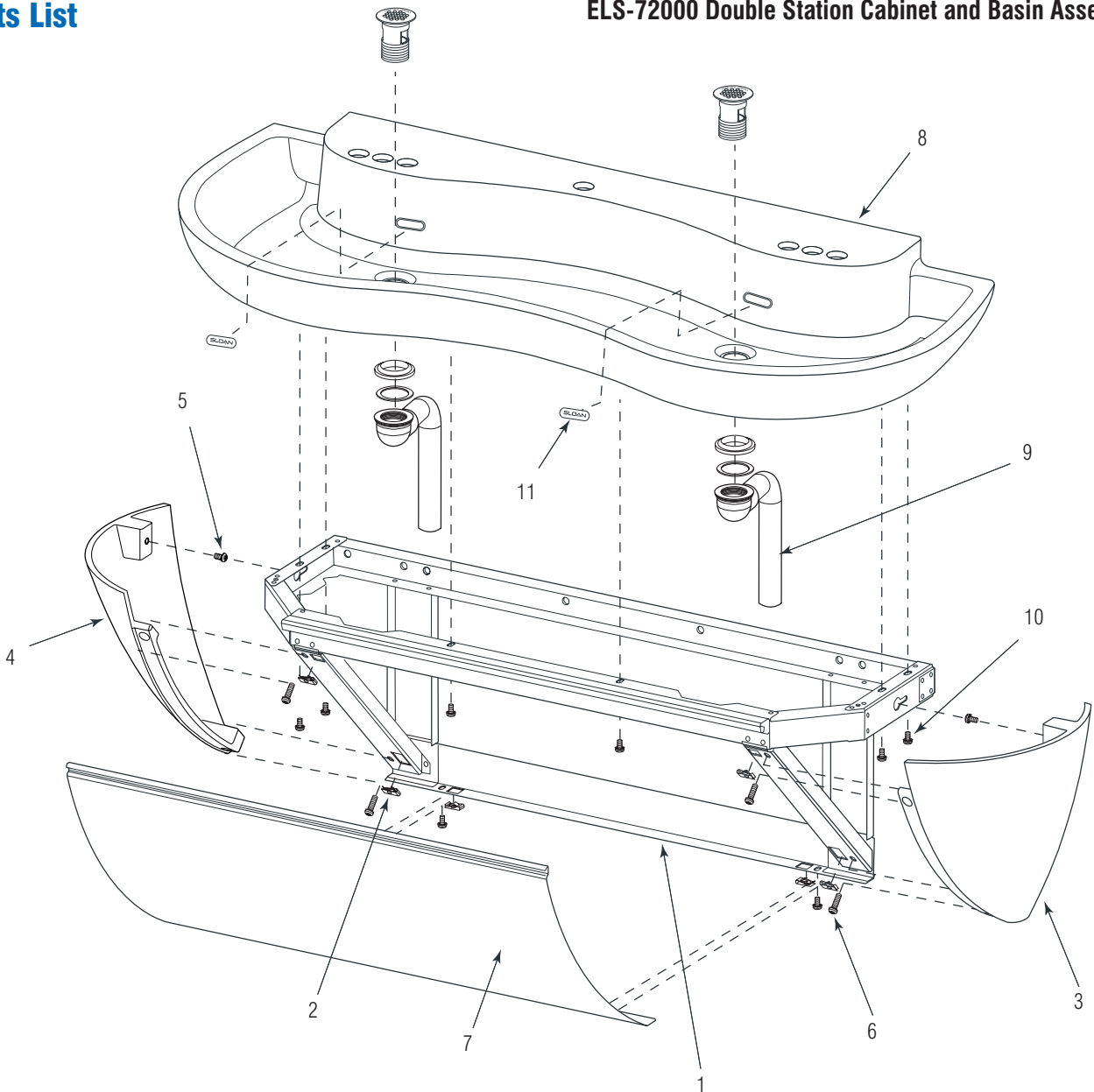
Operation

As the user's hands pass under the faucet spray head and enter the beam's effective range, the beam is reflected back into the sensor receiver and activates the solenoid valve allowing water to flow from the Spray Head. Water will flow until the user's hands are removed from under the Spray Head or until the automatic time out limit setting is reached.



Parts List

ELS-72000 Double Station Cabinet and Basin Assemblies

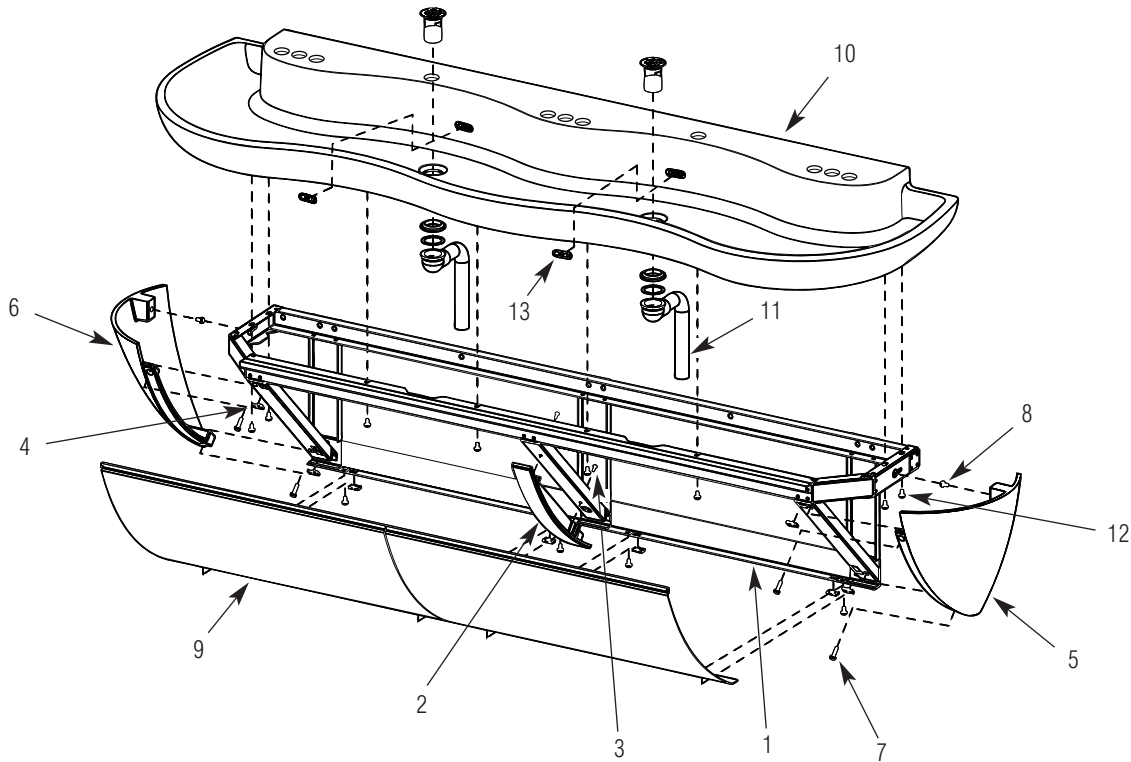


Item No.	Part No.	Description
1	EW-20-A	Cabinet Weldment, 2 Station
2	EW-99	U-Type Nut Standard 1/4-20 Thread (6)
3	EW-60	End Cap Right - Machined
4	EW-52	End Cap Left - Machined
5	EW-15	Screw, Pan Head 1/4-20 x 1/2" Long (SEMS) (2)
6	EW-16	Screw, Pan Head 1/4-20 x 1" Long (SEMS) (4)
7	EW-25	Front Panel, 2 Station

Item No.	Part No.	Description
8	SEE TABLE	Double Station Lavatory Basin Assembly
9	ETF-725-A	Grid Strainer Assembly (2)
10	EW-15	Screw, Pan Head 1/4-20 x 1/2" Long (SEMS) (6)
11	EW-61	Overflow Cover Plate (2)
—	EW-98	Light Duty Buffing Pad (Not Shown)

ITEM NO. 8 — Double Station Lavatory Basin Hole Patterns

Hole Pattern	—	A	B	C	D
Part No.	ELS-12-A-XX	ELS-12-A-XX-A	ELS-12-A-XX-B	ELS-12-A-XX-C	ELS-12-A-XX-D
Basin Hole Pattern					

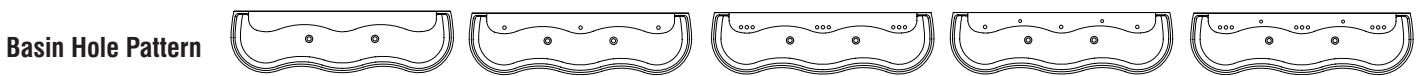


Item No.	Part No.	Description
1	EW-30-A	Cabinet Weldment, 3 Station
2	EW-50	Front Panel Support - Machined
3	EW-36	Screw, Pan Head #8-32 x 7/16" Long (SEMS) (2)
4	EW-99	U-type Nut, Standard 1/4-20 Thread (8)
5	EW-60	End Cap Right - Machined
6	EW-52	End Cap Left - Machined
7	EW-16	Screw, Pan Head 1/4-20 x 1" Long (SEMS) (4)

Item No.	Part No.	Description
8	EW-15	Screw, Pan Head 1/4-20 x 1/2" Long (SEMS) (2)
9	EW-35	Front Panel, 3 Station (2)
10	SEE TABLE	Triple Station Lavatory Basin Assembly
11	ETF-725-A	Grid Strainer Assembly (2)
12	EW-15	Screw, Pan Head 1/4-20 x 1/2" Long (SEMS) (8)
13	EW-61	Overflow Cover Plate (2)
—	EW-98	Light Duty Buffing Pad (Not Shown)

ITEM NO. 10 — Triple Station Lavatory Basin Hole Patterns

Hole Pattern	—	A	B	C	D
Part No.	ELS-13-A-XX	ELS-13-A-XX-A	ELS-13-A-XX-B	ELS-13-A-XX-C	ELS-13-A-XX-D



When assistance is required, please contact Sloan Valve Company Installation Engineering Department at:

1-888-SLOAN-14 (1-888-756-2614)

OR

1-847-233-2016

The information contained in this document is subject to change without notice.