

Act-O-Matic Shower Head AC-11



► **Description**

Act-O-Matic, Chrome Plated, Self-Cleaning Shower Head with Thumb Screw Volume Control.

► **Flow Rate**

2.5 gpm/9.4 Lpm maximum

► **Specifications**

Act-O-Matic, Chrome Plated Shower Head with the following features:

- Spring loaded, Self-Cleaning Spray Disk to prevent particle clogging
- "Cone-within-a-cone" Spray Pattern for total body coverage
- Pressure Compensating 2.5 gpm/9.4 Lpm Flow Control
- All Brass Construction
- Universal Ball Joint with Thumb Screw Volume Control
- 1/2" I.P.S. Inlet

Shower Head shall be in conformance to all requirements of ANSI/ASME Standard A112.18.1M, CSA B-125 and the United States Federal Energy Policy Act.

► **Variations**

YC Spray Arm with Set Screw Flange

► **Finishes**

PB Polished Brass

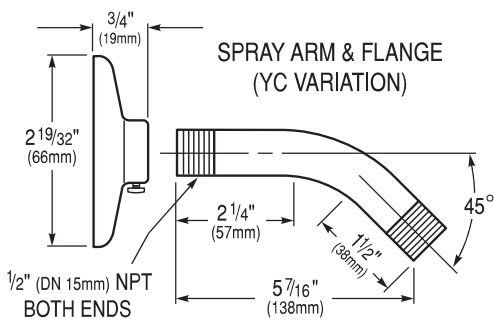
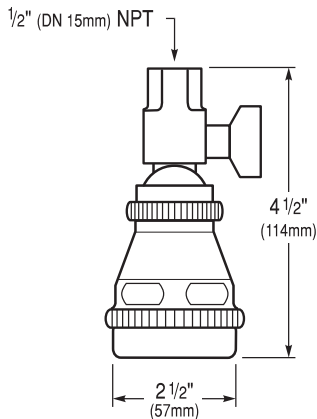
LG Luster Gold (24k)

AB Antique Brass

SF Satin Finish

NOTE: Shower Head available with 1/2" Whitworth Thread (please specify).

See Accessories Section of the Sloan catalog for details on these and other Shower Head variations.



This space for Architect/Engineer approval

The information contained in this document is subject to change without notice.

Made in the U.S.A.

SLOAN

SLOAN VALVE COMPANY • 10500 SEYMOUR AVE. • FRANKLIN PARK, IL 60131
 PHONE: 1-800 982-5839 • FAX: 1-800 447-8329 • <http://www.sloanvalve.com>