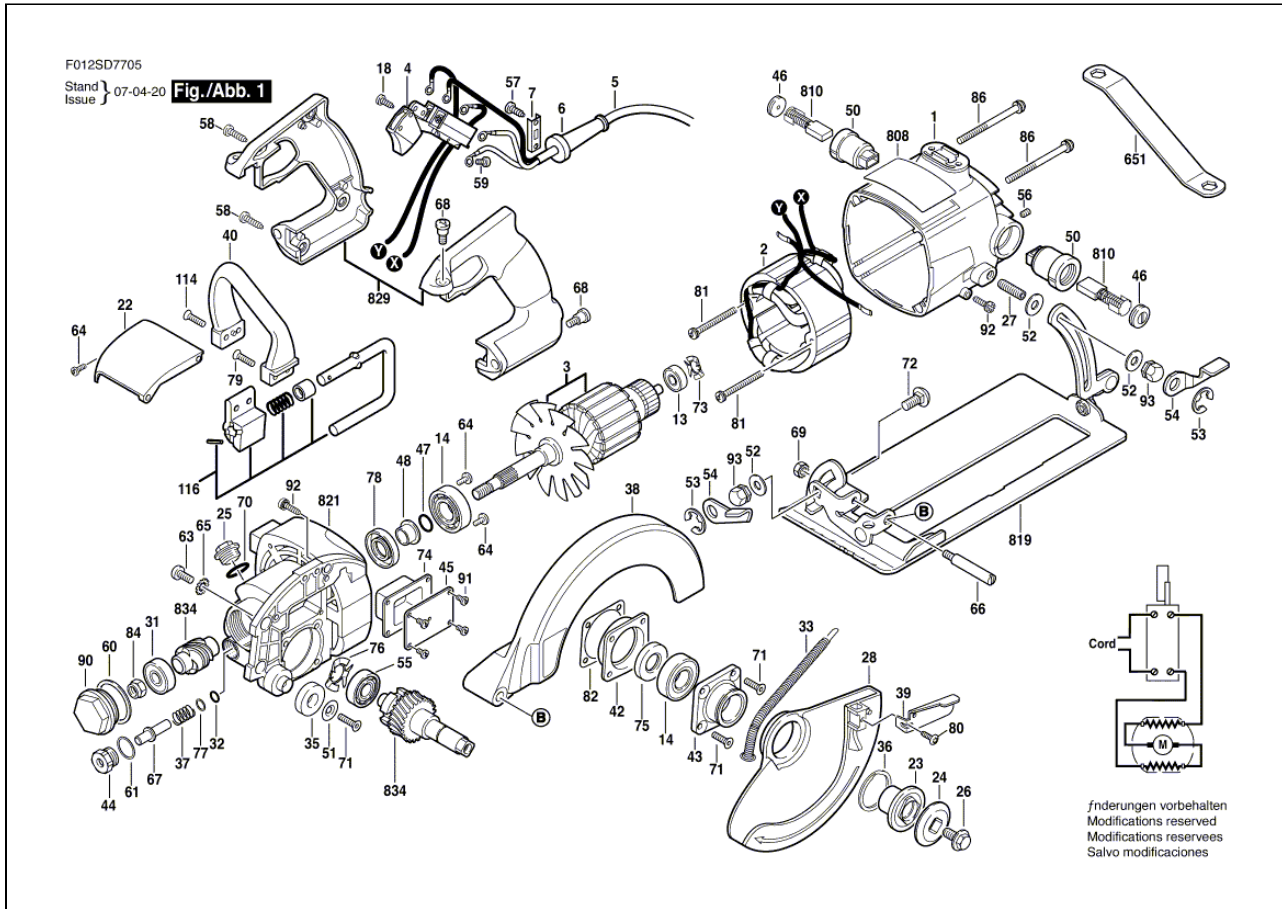


Circular hand saw
F 012 SD7 705 SHD77

09.03.2011 20:01:19



Item	Quantity	Order No.	Designation	Price group	Page
1	1	2 610 352 051	Motor Housing	32	1
2	1	1 619 P02 674	Field	36	1
3	1	2 610 931 892	Armature	39	1
4	1	2 610 321 608	On-Off Switch	25	1
5	1	2 610 914 296	Power supply cord		1
6	1	1 619 X00 943	Grommet	16	1
7	1	2 610 320 492	Clamp	10	1
13	1	2 610 017 348	Deep-Groove Ball Bearing	14	1
14	2	2 610 024 748	Ball Bearing	15	1
18	1	2 610 901 971	Screw	10	1
22	1	2 610 303 855	Cover		1
23	1	2 610 352 118	Plain Washer		1
24	1	1 619 X02 969	Washer	18	1
25	1	2 610 023 384	Lock	10	1
26	1	2 610 000 050	Collar bolt	10	1
27	1	2 610 315 286	Bolt	10	1
28	1	1 619 X01 182	Lower guard	23	1
31	1	2 610 017 875	Ball Bearing	14	1
32	1	2 610 015 726	Ring	10	1
33	1	2 610 911 148	Extension Spring	12	1
35	1	2 610 319 494	End stop	10	1

36	1	2 610 341 359	Spring retaining ring	10	1
37	1	2 610 023 394	Spring	10	1
38	1	2 610 352 103	Protective Cover	29	1
39	1	2 610 352 085	Adjusting lever	11	1
40	1	1 619 X01 204	Handle	17	1
42	1	2 610 352 115	Pivot Plate	18	1
43	1	2 610 352 091	Holding Plate	23	1
44	1	2 610 023 324	Pin	12	1
45	1	2 610 023 336	Cover	11	1
46	2	3 603 463 500	Screw Plug	10	1
47	1	2 610 044 638	O-Ring	10	1
48	1	2 610 023 330	Seal		1
50	2	2 610 329 940	Carbon Brush Holder	17	1
51	1	2 610 004 341	Washer	10	1
52	3	2 610 912 616	Washer	10	1
53	2	2 610 968 747	Spring retaining ring	10	1
54	2	2 610 968 745	Lever		1
55	1	2 610 000 166	Ball Bearing	14	1
56	2	2 610 027 039	Set screw	10	1
57	2	2 610 315 299	Screw	10	1
58	4	2 610 315 380	Screw	10	1
59	1	1 619 X03 644	Screw	10	1
60	1	2 610 023 331	Washer	10	1
61	1	2 610 025 067	Washer	10	1
63	2	2 610 329 955	Screw	10	1
64	4	1 619 X01 786	Contact Screw	10	1
65	2	2 610 306 355	Washer	10	1
66	1	2 610 319 932	Bolt	18	1
67	1	2 610 325 655	Pin	10	1
68	4	2 610 353 799	Screw		1
69	1	2 610 356 026	Nut	10	1
70	1	2 610 044 639	O-Ring	10	1
71	5	2 610 027 002	Screw	10	1
72	1	2 610 016 325	Bolt	10	1
73	1	2 610 004 459	Spring Washer	10	1
74	1	2 610 023 335	Insert	16	1
75	1	2 610 025 245	Seal	12	1
76	1	2 610 931 237	Spring Washer	10	1
77	1	2 610 017 016	Washer	10	1
78	1	2 610 329 927	Seal	14	1
79	2	2 610 993 549	Screw	10	1
80	1	1 619 X00 939	Screw	10	1
81	2	2 610 329 950	Screw	10	1
82	1	2 610 023 334	Sealing Plate		1
84	1	2 610 318 324	Nut	10	1
86	4	2 610 329 953	Screw	10	1
90	1	2 610 923 336	Bearing cover	15	1
91	4	2 610 353 289	Tapping Screw	10	1
92	2	2 610 932 218	Screw	10	1
93	2	1 619 X01 283	Nut	13	1
114	2	2 610 911 890	Screw	10	1
116	1	2 610 917 232	Hook	20	1
651	1	2 610 000 266	Screwdriver	21	1
808	1	2 610 947 844	Manufacturer's Nameplate	13	1
810	1	2 610 912 980	Carbon-Brush Set		1
819	1	2 610 352 080	Base Plate		1
821	1	2 610 352 057	Gear Housing	33	1

829	1	2 610 902 881	Handle	27	1
834	1	1 619 X02 374	Set Of Gears	37	1