



## INSTALLATION GUIDE

# HOOD

Read these instructions thoroughly before installing and operating the hood.

SKSPH3602S  
SKSPH4802S



MFL70208703\_01

[www.signaturekitchensuite.com](http://www.signaturekitchensuite.com)

Copyright © 2017 - 2018 Signature Kitchen Suite. All Rights Reserved.

# TABLE OF CONTENTS

## **3 BEFORE YOU BEGIN**

---

## **4 IMPORTANT SAFETY INSTRUCTIONS**

---

## **7 PRODUCT SPECIFICATIONS**

---

7 General Specifications

8 Dimensions

## **9 PRODUCT OVERVIEW**

---

9 Parts

9 Accessories

## **10 PLANNING THE INSTALLATION**

---

10 Cabinet Layout

11 Ducting Options

12 Ducting Calculation Sheet

13 Power Supply

13 Verify the Package Contents

## **14 INSTALLATION INSTRUCTIONS**

---

14 Rotating the Blower

16 Mounting the Range Hood

## **17 WIRING DIAGRAM**

---

# BEFORE YOU BEGIN

## IMPORTANT:

- **Installer:** In the interest of safety and to minimize problems, read these installation instructions completely and carefully before you begin the installation process. Leave these installation instructions with the customer.
- **Customer:** Keep these installation instructions for future reference and the local electrical inspector's use.

## APPLIANCE DATA PLATE

- The appliance data plate contains the model and serial number information and the electrical requirements.
- It is located inside the hood behind the filters on the back side of the chassis. Remove the filters to view it.

**All specifications subject to change without notice. SIGNATURE KITCHEN SUITE assumes no liability for changes to specifications.**

# IMPORTANT SAFETY INSTRUCTIONS

Read and follow all instructions when using the range to prevent the risk of fire, electric shock, personal injury, or damage. This guide does not cover all possible conditions that may occur. Always contact your service agent or manufacturer about problems that you do not understand.

Download this owner's manual at: [www.signaturekitchensuite.com](http://www.signaturekitchensuite.com)



This is the safety alert symbol. This symbol alerts you to potential hazards that can result in property damage and/or serious bodily harm or death.

All safety messages will follow the safety alert symbol and either the word WARNING or CAUTION. These words mean:



**WARNING** -Indicates a hazardous situation which, if not avoided, could result in death or serious injury.



**CAUTION** - Indicates a hazardous situation which, if not avoided, could result in minor or moderate injury.



## WARNING

- To avoid the possibility of explosion or fire, do not store or use combustible, flammable or explosive vapors and liquids (such as gasoline) inside or in the vicinity of this or any other appliance. Also keep items that could explode, such as aerosol cans away from cooktop burners, ovens and range hoods. Do not store flammable or explosive materials in adjacent cabinets or areas.
- If the information in this manual is not followed exactly, a fire or explosion may result causing property damage, personal injury or death.
- **Do not use an additional speed control device with this unit.**
- **To avoid motor bearing damage and noisy and/or unbalanced impellers, keep drywall spray, construction dust, etc. off power unit.**
- **Your ventilator motor has a thermal overload which will automatically shut off the motor if it becomes overheated. The motor will restart when it cools down. If the motor continues to shut off and restart, have the product serviced.**
- **TO REDUCE THE RISK OF FIRE, ELECTRIC SHOCK, OR INJURY TO PERSONS, OBSERVE THE FOLLOWING:**
  - Use this unit only in the manner intended by the manufacturer. If you have questions, contact the manufacturer.
  - Before servicing or cleaning unit, switch power off at service panel and lock the electrical panel door to prevent power from being switched on accidentally. When the electrical panel door cannot be locked, securely fasten a prominent warning device, such as a tag, to the service panel.

**⚠ WARNING**

- **TO REDUCE THE RISK OF FIRE, ELECTRIC SHOCK, OR INJURY TO PERSONS, OBSERVE THE FOLLOWING:**
  - Installation work and electrical wiring must be done by qualified person(s) in accordance with all applicable codes and standards, including fire-rated construction.
  - Sufficient air is needed for proper combustion and exhausting of gases through the flue(chimney) of fuel burning equipment to prevent back drafting. Follow the heating equipment manufacturer's guidelines and safety standards such as those published by the National Fire Protection Association (NFPA), and the American Society for Heating, Refrigeration and Air Conditioning Engineers (ASHRAE), and the local code authorities.
  - When cutting or drilling into wall or ceiling, do not damage electrical wiring and other hidden utilities.
  - Ducted fans must always be vented to the outdoors.

**⚠ CAUTION**

For general ventilating use only. Do not use to exhaust hazardous or explosive materials and vapors.

**GENERAL SAFETY PRECAUTIONS**

To reduce the risk of fire, electric shock, serious injury or death when using the appliance, follow basic safety precautions, including the following:

**⚠ WARNING**

- Do not install or operate this hood if it has been damaged, dropped, has damaged electrical wires or is not working properly. If the product is damaged when received, immediately contact the dealer or builder.
- This range hood must be installed and grounded by a qualified installer according to these installation instructions.
- Install or locate this appliance only in accordance with these installation instructions and the requirements specified by the manufacturer of the cooktop or range. Improper installation, adjustment, alteration, service or maintenance can cause serious personal injury or property damage.
- The customer should not install, repair or replace any part of the range hood unless specifically recommended in the literature accompanying it. A qualified service technician should perform all other service.
- Keep all packaging materials away from children. Plastic bags can cause suffocation.
- Do not use an extension cord or adapter plug with this appliance.
- The installer must show the customer the location of the fuse box or circuit breaker panel box so that the customer knows where and how to turn the power off.
- Before installing or servicing the range hood, switch power off at the fuse box circuit breaker and lock the electrical panel door to prevent power from being switched on accidentally. When the electrical panel cannot be locked, securely fasten a prominent warning device, such as a tag, to the electrical panel.
- Read the owner's manual completely before using the appliance. Clean the appliance only as instructed in the owner's manual. Use only the cleaners specified.
- Do not tamper with the controls.

** WARNING**

- Never allow the filter(s) to become blocked or clogged. Do not allow foreign objects, such as cigarettes or napkins, to be sucked into the hood.
- Clean the filter(s) and all grease-laden surfaces often to prevent grease fires and maintain performance.
- If the cooktop and range hood are near a window, use an appropriate window treatment. Avoid long drapes or other window coverings that could blow over the cooktop and hood, resulting in a fire hazard.
- Always run the fan(s) whenever the cooktop is operating.
- Never leave the range or cooktop unattended when a burner (or element) is in use. Boil-overs and greasy spills may smoke and/or ignite.
- Do not leave children alone or unattended in the area where the cooktop and range hood are in use. Never allow children to sit or stand on an appliance. Do not let children play with a range, cooktop or range hood. Do not store items of interest to children above or around the cooktop, range or range hood.
- The minimum vertical distance between the cooktop surface and the exterior part of the hood must be no less than 26" (66 cm). The vertical distance required may be longer for the range or cooktop being used. Consult the range or cooktop installation instructions for the minimum and maximum vertical distance from the appliance being used.
- TO REDUCE THE RISK OF FIRE, USE ONLY METAL DUCT WORK.

**READ AND SAVE THESE INSTRUCTIONS**

# PRODUCT SPECIFICATIONS

## General Specifications

### All Models

<b>Fan Speeds</b>	5
<b>Filters</b>	Baffle type, dishwasher safe
<b>Total Connect Load</b>	120 VAC, 60 Hz, 4 Amp.
<b>Lights</b>	120 VAC, 8 W LED light strip

### Model Specific

Model Number	SKSPH4802S	SKSPH3602S
<b>Filters</b>	4	3

### Weight Specifications

Model Number	Weight
<b>SKSPH4802S</b>	71 lb. (32.5 kg)
<b>SKSPH3602S</b>	60 lb. (27.2 kg)

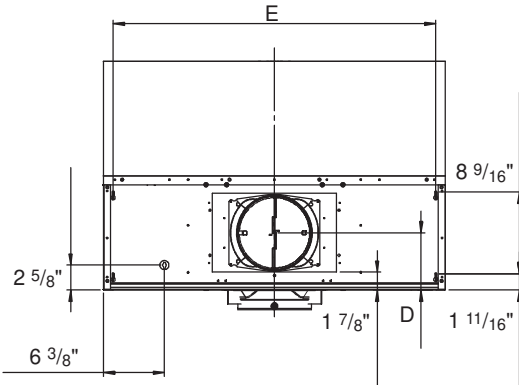
## Dimensions

Tolerances: +1/16", -0 (1.6 mm, -0), unless otherwise stated.

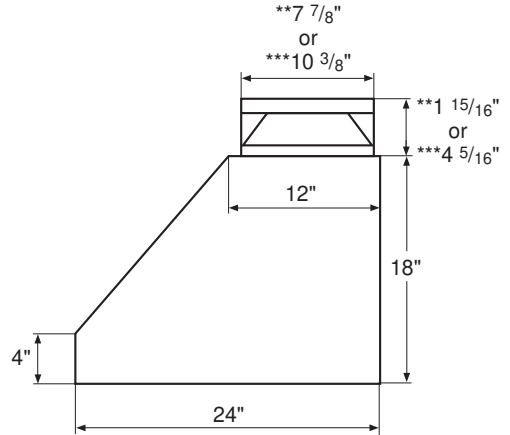
**NOTE**

The exhaust duct(s) and electrical wiring can be connected from either the top or the back of the hood.

### Top Dimensions

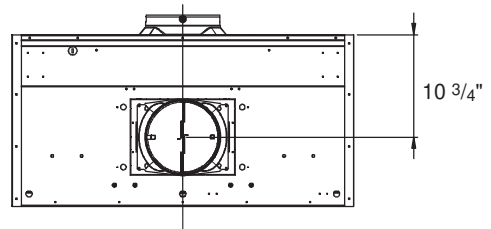
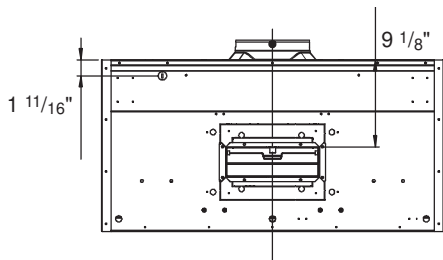


### Side Dimensions

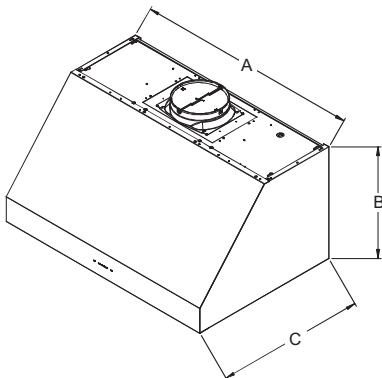


- \* Single Blower Rect. Ducting Dimension
- \*\* Single Blower Round Ducting Dimension
- \*\*\* Dual Blower Dimension

### Back Dimensions



### Overall Dimensions

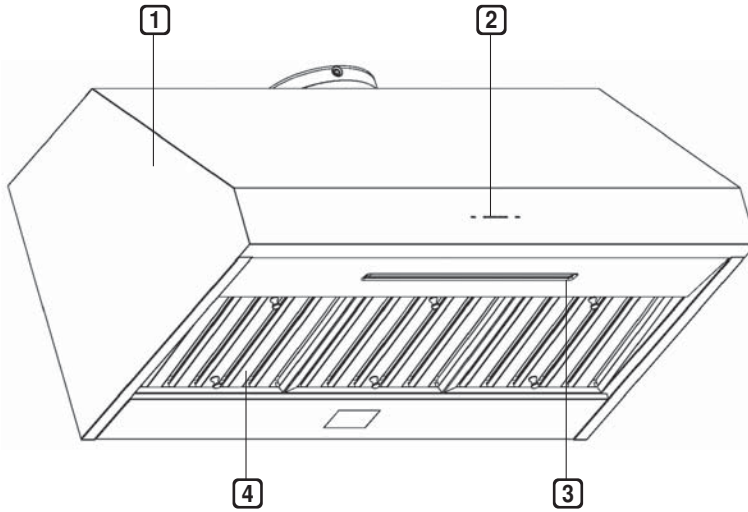


Model	A	B	C	D	E
SKSPH4802S	48"	18"	24"	6"	45 7/8"
SKSPH3602S	36"				33 7/8"



# PRODUCT OVERVIEW

## Parts



1 HOOD

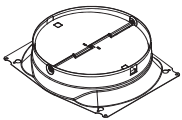
2 ICON TOUCH CONTROL PANEL

3 LED STRIP LIGHT

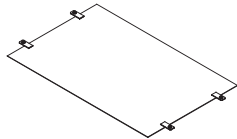
4 BAFFLE FILTER  
(SKSPH4802S: 4pcs, SKSPH3602S: 3pcs)

## Accessories

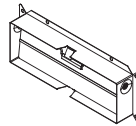
### Included Accessories



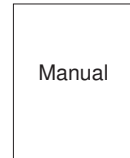
8" round collar



Top cover plate

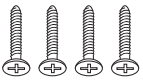


3 1/4"x10"  
rectangular duct collar

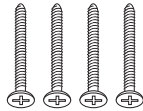


Manual

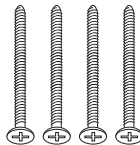
Manual



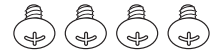
M6 x 1" (4)



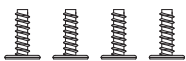
M6 x 1-1/2" (4)



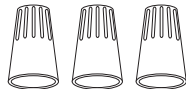
M6 x 2" (4)



M3.5 x 8 (4)



3/16 x 3/8 (4)



Wire Caps (3)



Washers (4)

### Optional Accessories



# PLANNING THE INSTALLATION

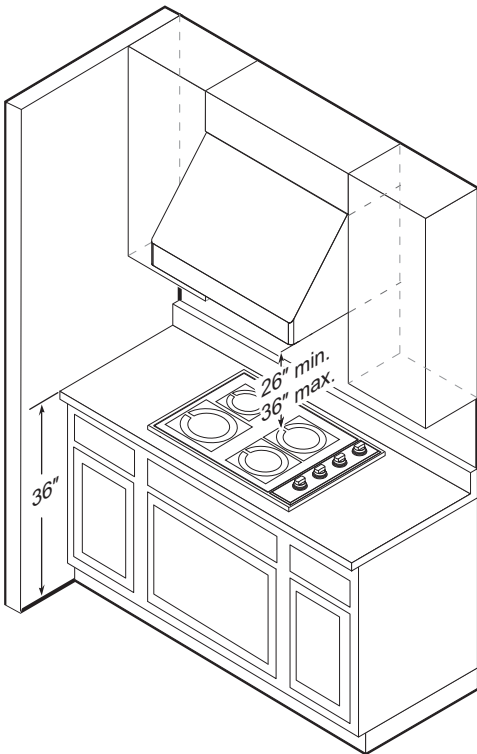
## WARNING

Observe all governing codes and ordinances during planning and installation. Contact your local building department for further information. Use only duct work deemed acceptable by state, municipal and local codes.

## Cabinet Layout

## WARNING

To reduce the risk of personal injury caused by reaching over a hot appliance, cabinet storage space located directly above the range should be avoided.



### Minimum Cabinet Width

Models	Width
SKSPH4802S	48" (121.9 cm)
SKSPH3602S	36" (91.5 cm)

## Ducting

A minimum of 8" round or 3-1/4" x 10" rectangular duct must be used to maintain maximum air flow efficiency for single blower and 10" round duct for dual blower.

Always use rigid metal ducts only. Flexible ducts could restrict air flow by up to 50%.

Also use calculation (on page 12) to compute total available duct run when using elbows, transitions and caps.

ALWAYS, when possible, reduce the number of transitions and turns. If long duct run is required, increase duct size from 8" to 10".

If turns or transitions are required, install as far away from hood duct output and as far apart as possible.

Minimum mount height between range top to hood bottom should be no less than 26".

Maximum mount height should be no higher than 36".

It is important to install the hood at the proper mounting height. Mounting the hood too low could result in heat damage and fire hazard. Mounting the hood too high will make it hard to reach and reduce its performance and efficiency.

If available, also refer to the range manufacturer's height clearance requirements and recommended hood mounting height above range.

### Vertical Ducting:

- 8" round minimum (single blower)
- 10" round minimum (dual blower)

### Horizontal Ducting:

- 3-1/4" x 10" minimum (single blower)
- 8" round minimum (single blower)
- 10" round minimum (dual blower)

## CAUTION

### DAMAGE DURING SHIPPING / INSTALLATION:

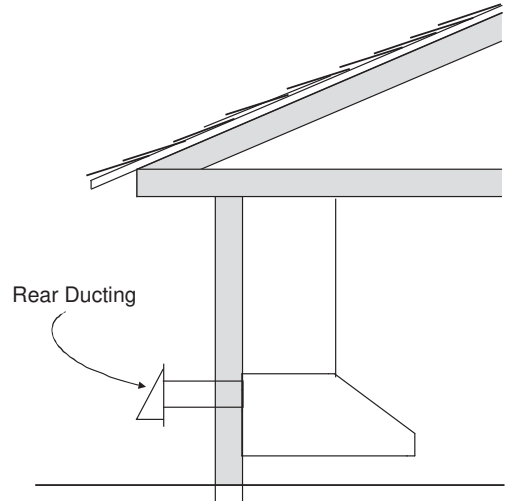
- Please fully inspect unit for damage before installation.
- If the unit is damaged in shipment, return the unit to the store in which it was bought for repair or replacement.
- If the unit is damaged by the customer, repair or replacement is the responsibility of the customer.
- If the unit is damaged by the installer (if other than the customer), repair or replacement must be made by arrangement between customer and installer.

## Ducting Options

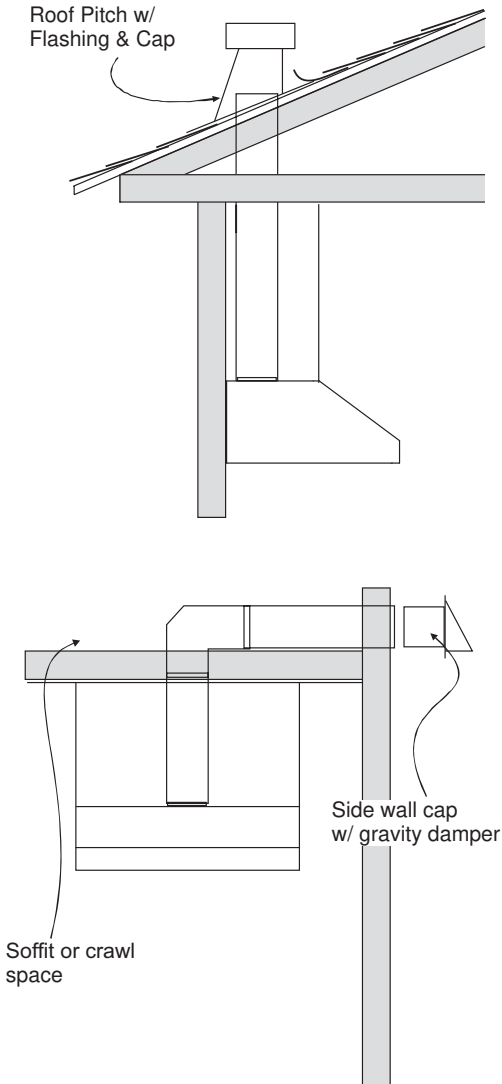
### WARNING

#### Fire Hazard




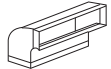
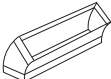

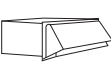
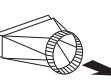
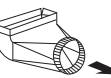


- NEVER exhaust air or terminate duct work into spaces between walls, crawl spaces, ceiling, attics or garages.
- All exhaust must be ducted to the outside.
- Use metal ductwork only.
- Fasten all connections with sheet metal screws and tape all joints with certified Silver Tape or Duct Tape.

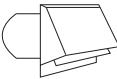

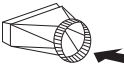
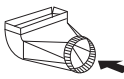


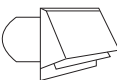

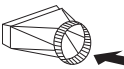
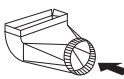


## Sample Ducting Options



# Ducting Calculation Sheet

Duct pieces	Equivalent length x number used =	Total
 3-1/4" x 10" Rect., straight	1 Ft. x ( ) =	Ft.
 6" Round, straight	1 Ft. x ( ) =	Ft.
 7"-10" Round, straight	1 Ft. x ( ) =	Ft.
 3-1/4" x 10" Rect.90° elbow	15 Ft. x ( ) =	Ft.
 3-1/4" x 10" Rect.45° elbow	9 Ft. x ( ) =	Ft.
 3-1/4" x 10" Rect.90° flat elbow	24 Ft. x ( ) =	Ft.
 3-1/4" x 10" Rect. wall cap with damper	30 Ft. x ( ) =	Ft.
 3-1/4" x 10" Rect.to 6" round transition	5 Ft. x ( ) =	Ft.
 3-1/4" x 10" Rect.to 6" round transition 90° elbow	20 Ft. x ( ) =	Ft.
 6" Round, 90° elbow	15 Ft. x ( ) =	Ft.
 6" Round, 45° elbow	9 Ft. x ( ) =	Ft.
Subtotal column 1 =		Ft.

Duct pieces	Equivalent length x number used =	Total
 6" Round wall cap with damper	30 Ft. x ( ) =	Ft.
 6" Round, roof cap	30 Ft. x ( ) =	Ft.
 6" round to 3-1/4" x 10" rect. transition	1 Ft. x ( ) =	Ft.
 6" round to 3-1/4" x 10" rect. transition 90° elbow	16 Ft. x ( ) =	Ft.
 7" - 10" Round, 90° elbow	15 Ft. x ( ) =	Ft.
 7" - 10" Round, 45° elbow	9 Ft. x ( ) =	Ft.
 7" - 10" Round wall cap with damper	30 Ft. x ( ) =	Ft.
 7" - 10" Round, roof cap	30 Ft. x ( ) =	Ft.
 7" round to 3-1/4" x 10" rect. transition	8 Ft. x ( ) =	Ft.
 7" round to 3-1/4" x 10" rect. transition 90° elbow	23 Ft. x ( ) =	Ft.
Subtotal column 2 =		Ft.
Subtotal column 1 =		Ft.
Total ductwork =		Ft.

**Maximum Duct Length:** For satisfactory air movement, the total duct length should not exceed 100 equivalent feet.

## Ductwork Design Tips

Wherever possible, reduce the number of transitions and turns to as few sharp angles as possible. Two staggered 45° angles are better than one 90°.

Keep turns as far away from the hood exhaust as possible, and allow as much space between bends as possible.

For best performance, use round ducts instead of rectangular, especially when elbows are required.

If multiple elbows are used, try to keep a minimum of 24" of straight duct between them.

Avoid "S" or "back to back" use of adjacent elbows.

In regions where the weather gets extremely cold, use thermal breaks, such as a short section of non-metallic duct, to avoid indoor heat loss. Locate the break as close as possible to the outside pass-through point.

Do not use flexible metal duct.

**Do not** use ductwork that is smaller in cross-sectional area than the recommended types above.

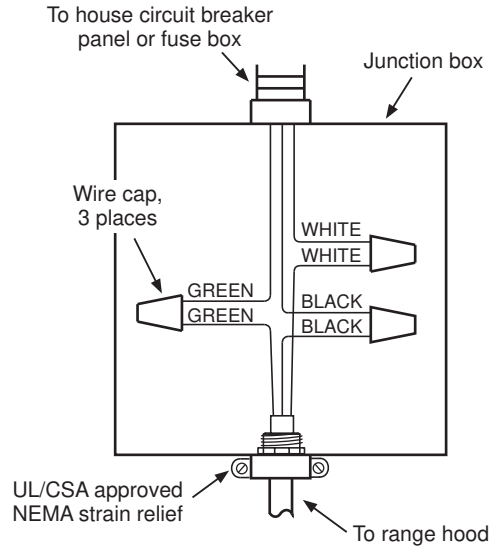
## Power Supply

### WARNING

- The information in this manual should be followed exactly. Failure to do so could result in fire or electrical shock, causing property damage, personal injury or death.
- **All electrical work must be performed by qualified electrician or person with similar technical knowledge and background.**
- For personal safety, remove house fuse or open circuit breaker before beginning installation. Do not use extension cord or adapter plug with this appliance.
- **Follow national electrical codes or prevailing local codes and ordinances.**

## Electrical Supply

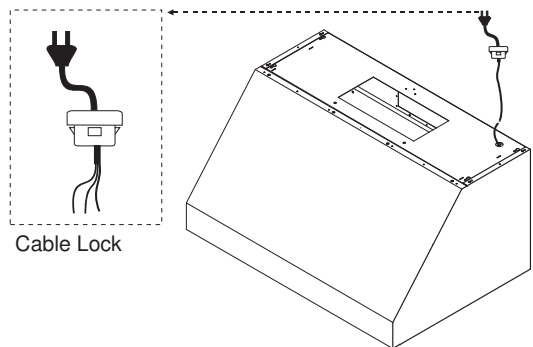
This appliance requires a 120V 60Hz electrical supply, and must be connected to an individual, properly grounded branch circuit, protected by a 15 or 20 ampere circuit breaker or time delay fuse. Wiring must be 2 wire w/ ground. Please also refer to the Electrical Diagram label on product.



3 Wire Connection to Junction Box

## Cable Lock

A cable locking connector (not supplied) might also be required by local codes. Check with local requirements and codes, and purchase and install appropriate connector if necessary.



## Verify the Package Contents

Unpack the parts box and verify that all parts and accessories have been included. If any item is missing or damaged, please contact the dealer immediately. Do not install a damaged or incomplete appliance.

Make sure you have everything necessary for proper installation before proceeding.

# INSTALLATION INSTRUCTIONS

## **WARNING**

- Do not install the range hood unless the electrical service provided meets the range hood specifications.
- Observe all governing codes and ordinances during installation. Contact your local building department for further information.
- A qualified technician must complete the installation of this built-in appliance. More than one person is required to raise the hood into place. The owner is responsible to make sure the hood is properly installed.

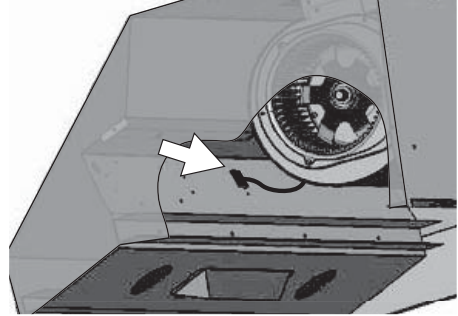
- 1** Start by removing the baffle filters from the bottom of the hood. Put them in a safe location so that they will not be damaged.
- 2** If the hood will be installed so that air will exhaust out of the back, the blowers must be rotated into the correct position before hanging the hood.

## Rotating the Blower

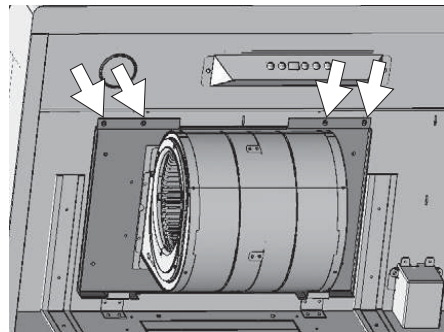
This range hood is equipped standard with a 8" round vertical duct option. To convert from 8" round vertical to 8" round horizontal ducting or 3-1/4" x 10" rectangular horizontal ducting please following the instructions below.

## Vertical to Horizontal Ducting Conversion

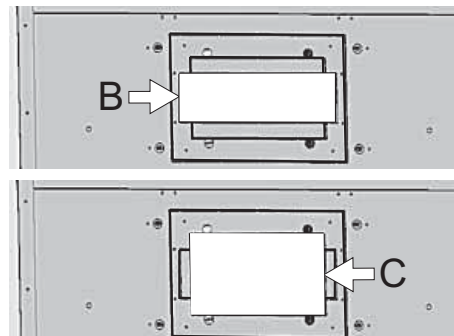
- 1** Disconnect the blower plug.



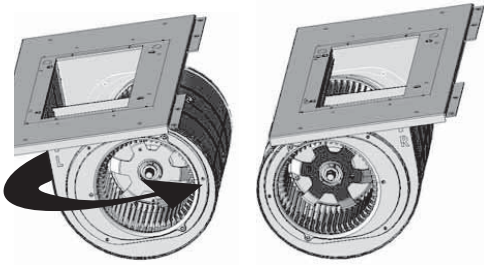
- 2** Remove the 4 screws on the interior of the hood body which attach the single blower plate to the top of the hood body. Remove the single blower and blower plate.



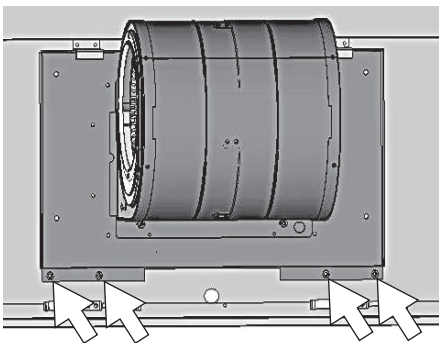
- 3** At the back, knock out plate B for rectangular ducting, or plate C for 8-inch round ducting.



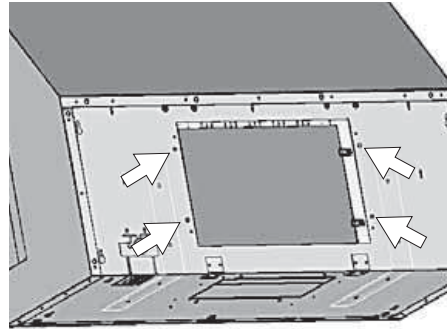
- 4** Remove the 4 screws holding the blower to the blower plate. Turn the blower 180 degrees and reattach it to the blower plate.



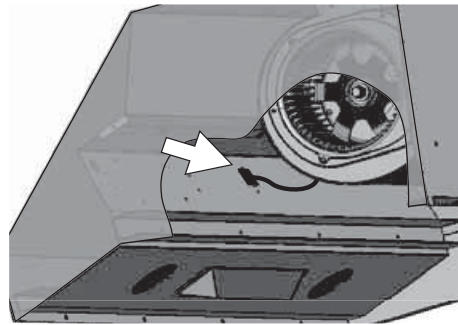
- 5** Position the single blower and blower plate as shown, tucking the back of the blower plate into the tabs at the back of the hood. Secure the blower plate using the 4 screws removed in step 2.



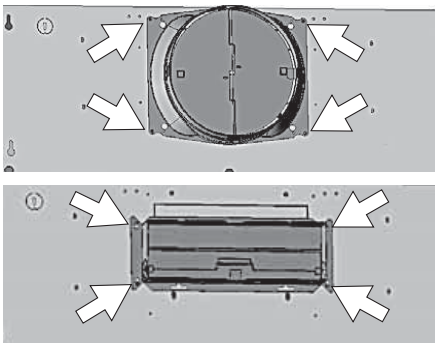
- 7** From inside the hood body, align the top cover plate to the top of the hood body. Attach the top cover plate from the outside of the hood, using four 3/16" x 3/8" screws.



- 8** Connect the blower plug.



- 6** Attach an 8" round duct collar or 3 1/4" x 10" rectangular duct collar to the back of the hood body using four M3.5 x 8 screws.



## Mounting the Range Hood

### CAUTION

- At least two installers are required due to the weight and size of the hood.

- Select the preferred ducting application (vertical or horizontal) and prepare the hood. Refer to page 14 for single blower horizontal ducting.
- Plumb and mark center line.
- Choose the desired height above the cooking surface (26" minimum). Level and mark the hood bottom (line A in Fig. 1).
- Level and mark the top of the wood board (line B in Fig. 1), 16 7/8" from line A.
- Draw a center line on the wood board as shown. Align the center of the board with the center line on the wall and align the top of the board with line B. Attach the board to the wall studs using four M6 wood screws.

#### Wood Board Dimensions : (W x D x H)

SKSPH3602S - 33" x 1/2" x 4"

SKSPH4802S - 45" x 1/2" x 4"

- Prepare the duct pipe and duct cutouts in the upper cabinet if needed, or in the wall if ducting the hood horizontally. Refer to the hood specifications on page 8 for duct cutout dimensions.
- Prepare the electrical wiring and electrical cutouts in the upper cabinet if needed, or in the wall if horizontal electrical hook up is required. Refer to the hood specifications on page 8 for electrical cutout dimensions.
- Mount the hood onto the wood board and secure it using four M6 wood screws.
- Insert two M6 wood screws into the wall through the screw holes in the lower body. See Fig. 2 for dimensions between screw holes.
- Install the electrical connection.
- Install the ductwork and seal it with certified aluminum duct tape.
- Power up the hood and check for leaks around the duct tape.
- Install the baffle filters.

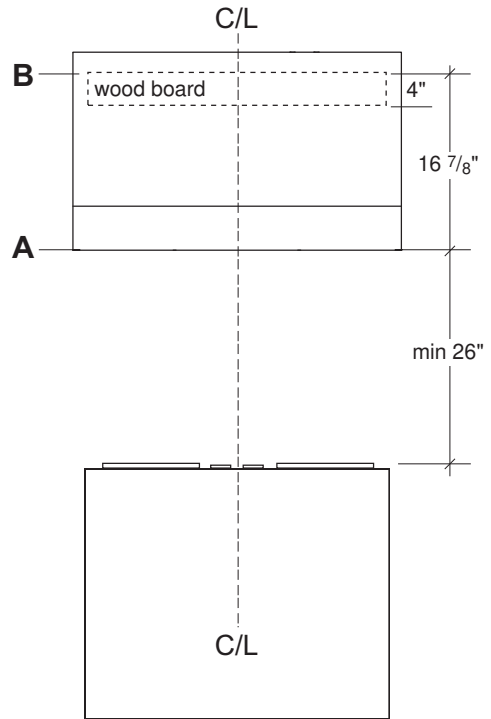


FIG. 1

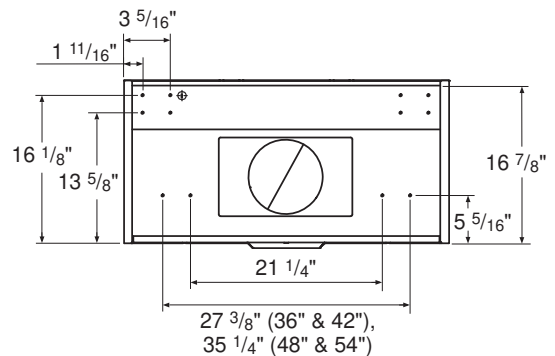


FIG. 2

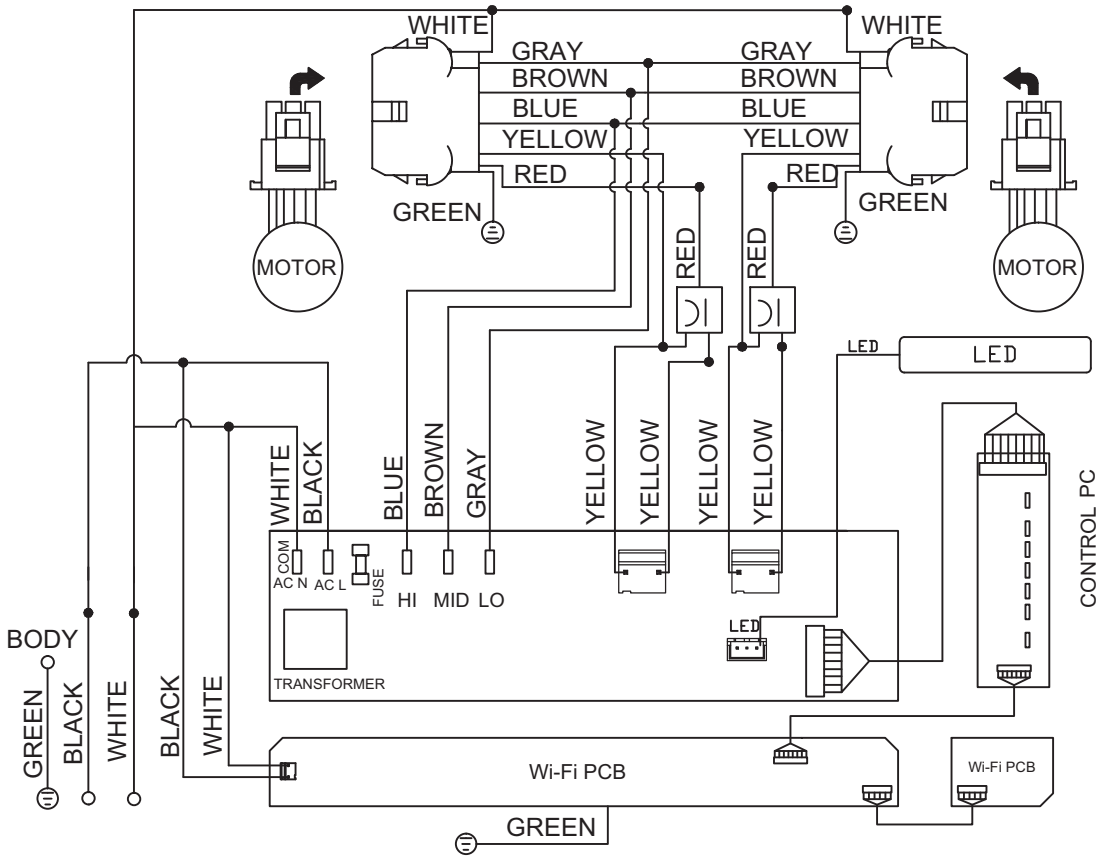
### WARNING

- Electrical wiring must be done by qualified personnel in accordance with all applicable codes and standards.
- This range hood must be properly grounded. Turn off electrical power at main power supply before wiring.



# WIRING DIAGRAM

Models	Volts	HZ	MAX Amps
SKSPH4802S SKSPH3602S	120	60	Single Motor 4 Dual Motor 7



REMARKS: CONDENSER 11+11uF 250VAC \*2 FIT AC120V 60Hz

# MEMO



# GUÍA DE INSTALACIÓN CAMPANA

Lea atentamente estas instrucciones antes de instalar y poner la campana en funcionamiento.

SKSPH3602S  
SKSPH4802S



MFL70208703\_01

[www.signaturekitchensuite.com](http://www.signaturekitchensuite.com)

Copyright © 2017 - 2018 Signature Kitchen Suite. Todos los Derechos Reservados.

# ÍNDICE

## **3 ANTES DE COMENZAR**

---

## **4 INSTRUCCIONES IMPORTANTES DE SEGURIDAD**

---

## **7 ESPECIFICACIONES DEL PRODUCTO**

---

7 Especificaciones generales

8 Dimensiones

## **9 DESCRIPCIÓN GENERAL DEL PRODUCTO**

---

9 Piezas

9 Lista de piezas

## **10 PLANIFICACIÓN DE LA INSTALACIÓN**

---

10 Disposición de alacenas

11 Opciones de conducto

12 Hoja de cálculo de conducto

13 Suministro de energía

13 Verifique el contenido del embalaje

## **14 INSTRUCCIONES DE INSTALACIÓN**

---

14 Posicionamiento del extractor

16 Montaje de la campana extractora

## **17 DIAGRAMA DE CABLEADO**

---

# ANTES DE COMENZAR

## IMPORTANTE:

- Instalador: Para preservar la seguridad y reducir los posibles problemas, lea estas instrucciones para la instalación por completo antes de comenzar el proceso de instalación. Deje estas instrucciones al cliente.
- Cliente: Conserve estas instrucciones de instalación para referencia futura y para que las consulte el inspector

## PLACA DE DATOS DEL ARTEFACTO

- La placa de datos de este artefacto contiene información del número de serie y el modelo, y los requisitos eléctricos.
- Se encuentra ubicada dentro de la campana, detrás de los filtros, en la parte posterior del chasis. Retire los filtros para verla.

**Todas las especificaciones están sujetas a cambios sin previo aviso. SIGNATURE KITCHEN SUITE no se hace responsable por cambios en las especificaciones.**

# INSTRUCCIONES IMPORTANTES DE SEGURIDAD

Lea y siga todas las instrucciones cuando utilice la cocina para evitar riesgos de incendios, descargas eléctricas, lesiones personales o daños. Esta guía no incluye todas las situaciones posibles que podrían ocurrir. Siempre comuníquese con su agente de servicio técnico o con el fabricante cuando haya problemas que no comprenda.

Descargue este manual en: [www.signaturekitchensuite.com](http://www.signaturekitchensuite.com)



Este es el símbolo de alerta de seguridad. Este símbolo le advierte sobre posibles riesgos que pueden ocasionar daños materiales, lesiones personales graves o la muerte.

El símbolo de alerta de seguridad siempre estará acompañado de las palabras "ADVERTENCIA" o "PRECAUCIÓN". Estos términos significan lo siguiente:



**ADVERTENCIA** - Indica una situación peligrosa que, de no evitarse, podría causar lesiones graves o la muerte.



**PRECAUCIÓN** - Indica una situación peligrosa que, de no evitarse, podría causar lesiones leves o moderadas.



## ADVERTENCIA

- Para evitar que se produzcan explosiones o incendios, no almacene ni use líquidos o vapores combustibles, inflamables o explosivos (como por ejemplo, gasolina) dentro o cerca de este o cualquier otro artefacto. Además, mantenga cualquier artículo que pueda explotar, como, por ejemplo, latas de aerosol, alejado de los quemadores de la cocina, del horno y de la campana extractora. No almacene materiales explosivos o inflamables en áreas o alacenas cercanas.
- Si no sigue con exactitud la información de este manual, podrían producirse un incendio o descarga eléctrica, daños a la propiedad, lesiones personales o la muerte.
- **No utilice un dispositivo adicional de control de velocidad con esta unidad.**
- **Para evitar daños en los rodamientos del motor y rotores ruidosos y/o desequilibrados, mantenga la unidad de potencia alejada de polvo de construcción, de yeso, etc.**
- **El motor del ventilador cuenta con una protección de sobrecarga térmica que apagará automáticamente el motor en caso de que este se sobrecaliente. El motor volverá a arrancar cuando se enfríe. Si el motor continúa apagándose y reiniciándose, se le debe realizar mantenimiento al producto.**
- **PARA REDUCIR EL RIESGO DE INCENDIO, DESCARGAS ELÉCTRICAS O LESIONES PERSONALES, TENGA EN CUENTA LO SIGUIENTE:**
  - Use esta unidad solamente del modo previsto por el fabricante. Si tiene alguna pregunta, póngase en contacto con el fabricante.
  - Antes de limpiar o realizarle mantenimiento a la unidad, apáguela desde el panel de servicio y bloquee la puerta del panel eléctrico para evitar que la unidad se encienda por accidente. En caso de que la puerta del panel eléctrico no se pueda bloquear, coloque un dispositivo de advertencia bien visible y firmemente sujeto, como, por ejemplo, una etiqueta, en el panel de servicio.

**⚠️ ADVERTENCIA****• PARA REDUCIR EL RIESGO DE INCENDIO, DESCARGAS ELÉCTRICAS O LESIONES PERSONALES, TENGA EN CUENTA LO SIGUIENTE:**

- El trabajo de instalación y el cableado eléctrico deben ser realizados por personal calificado en conformidad con todos los códigos y las normas aplicables, incluso respecto a construcciones a prueba de fuego.
- Se necesita aire suficiente para que la combustión y el escape de gases se realicen de manera correcta a través del conducto (chimenea) del equipo que quema combustible a fin de prevenir el tiro invertido. Siga las instrucciones del fabricante del equipo de calefacción y las medidas de seguridad, tales como las publicadas por la Asociación Nacional de Protección contra Incendios (NFPA, por sus siglas en inglés), la Sociedad Americana de Aire Acondicionado, Refrigeración y Calefacción (ASHRAE, por sus siglas en inglés) y las autoridades locales.
- Al cortar o perforar la pared o el cielorraso, no dañe el cableado eléctrico ni otros pasos de servicios que estén ocultos.
- Los ventiladores con conductos siempre deben tener salida al exterior.

**⚠️ PRECAUCIÓN**

Solo para uso de ventilación general. No lo utilice para la extracción de materiales y vapores peligrosos o explosivos.

**PRECAUCIONES GENERALES DE SEGURIDAD**

Para reducir el riesgo de incendio, descargas eléctricas, lesiones graves o muerte al usar este equipo, siga las precauciones de seguridad básicas, incluidas las siguientes:

**⚠️ ADVERTENCIA**

- No instale ni utilice la campana si se ha dañado, caído, se han dañado los cables eléctricos o si no está funcionando correctamente. Si el producto está dañado cuando lo recibe, póngase en contacto inmediatamente con el distribuidor o constructor.
- Esta campana extractora debe ser instalada y conectada a tierra de acuerdo con las instrucciones de instalación por un instalador calificado.
- Instale o coloque este aparato siguiendo solamente estas instrucciones de instalación y los requisitos especificados por el fabricante de la cocina o de la superficie de cocción. La instalación, los ajustes, las modificaciones, las reparaciones y el mantenimiento mal realizados pueden causar lesiones personales graves o daños materiales.
- El cliente no debe instalar, reparar ni reemplazar ninguna pieza de la campana extractora, salvo que esto se recomiende específicamente en la documentación suministrada. Toda otra tarea de mantenimiento debe ser realizada por un técnico calificado.
- Mantenga todos los envoltorios alejados de los niños. Las bolsas plásticas pueden causar asfixia.
- No use un cable de extensión ni un adaptador con este artefacto.
- El instalador debe mostrar al cliente la ubicación del panel de interruptores de circuitos o la caja de fusibles para que el cliente sepa dónde y cómo cortar la energía.
- Antes de instalar o realizarle mantenimiento a la campana extractora, apáguela desde el interruptor de circuitos de la caja de fusibles y bloquee la puerta del panel eléctrico para evitar que la unidad se encienda por accidente. En caso de que el panel del panel eléctrico no se pueda bloquear, coloque un dispositivo de advertencia bien visible y firmemente sujeto, como, por ejemplo, una etiqueta, en el panel eléctrico.

 **ADVERTENCIA**

- Lea el manual del propietario por completo antes de usar el aparato. Limpie el aparato solamente como se indica en el manual del propietario. Use únicamente los productos de limpieza especificados.
- No manipule indebidamente los controles.
- Nunca permita que el/los filtro(s) se bloquee(n) u obstruya(n). No permita que objetos extraños, tales como cigarrillos o servilletas, sean aspirados por la campana.
- Limpie con frecuencia los filtros y todas las superficies que se cubren de grasa para evitar que se produzcan incendios y para mantener el rendimiento.
- Si la cocina y la campana extractora se encuentran cerca de una ventana, asegúrese de que la ventana cumpla con las condiciones adecuadas. Evite que la ventana tenga cortinas largas u otras cubiertas que podrían volar sobre la superficie de cocción y la campana, ya que esto puede significar un riesgo de incendio.
- Siempre ponga en funcionamiento el/los ventilador(es) cuando esté utilizando la superficie de cocción.
- Nunca deje la cocina o la superficie de cocción sin vigilancia cuando un quemador (u hornalla) esté siendo utilizado. Los derramamientos por ebullición o los derrames de grasa pueden emitir humo y/o arder.
- No deje niños solos o sin vigilancia en el área donde se estén utilizando la superficie de cocción y la campana extractora. Nunca permita que los niños se sienten en un artefacto o se suban a él. No permita que los niños jueguen con una cocina, una superficie de cocción o una campana extractora. No almacene artículos de interés para los niños encima o alrededor de la superficie de cocción, la cocina o la campana extractora.
- La distancia vertical mínima entre la superficie de la cocina y la parte exterior de la campana no debe ser menor de 26" (66 cm). La distancia vertical puede tener que ser mayor según la cocina o la superficie de cocción que se esté utilizando. Consulte las instrucciones de instalación de la cocina o la superficie de cocción para conocer la distancia mínima y máxima vertical desde el artefacto que se utilice.
- **PARA REDUCIR EL RIESGO DE INCENDIO, UTILICE SOLAMENTE CONDUCTOS DE METAL.**

**LEA Y GUARDE ESTAS INSTRUCCIONES**



# ESPECIFICACIONES DEL PRODUCTO

## Especificaciones generales

### Todos los modelos

Velocidades del ventilador	5
Filtros	Tipo deflector, aptos para lavavajillas
Carga total de conexión	120 V CA, 60 Hz, 4 A.
Luces	120 V CA, tira de luces LED de 8 W

### Características específicas del modelo

Número de modelo	SKSPH4802S	SKSPH3602S
Filtros	4	3

### Especificaciones de peso

Número de modelo	Peso
SKSPH4802S	71 lb (32,5 kg)
SKSPH3602S	60 lb (27,2 kg)

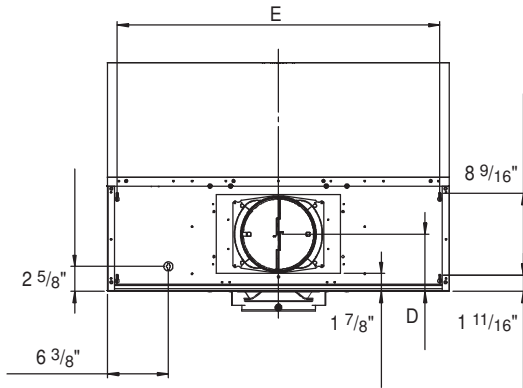
## Dimensiones

Tolerancias: +1/16", -0 (1.6 mm, -0), a menos que se especifique lo contrario.

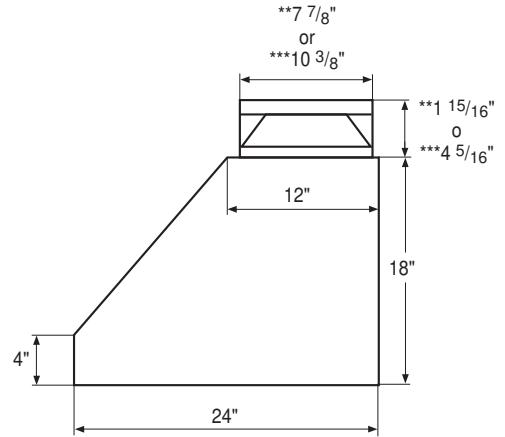
**NOTA**

El/los conducto(s) de escape y el cableado eléctrico se pueden conectar desde la parte superior o posterior de la campana.

### Dimensiones de la parte superior

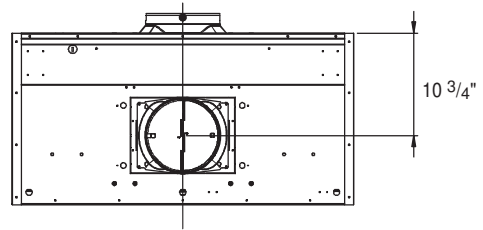
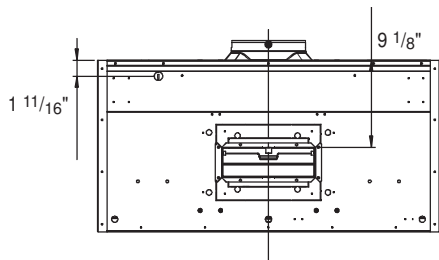


### Dimensiones laterales

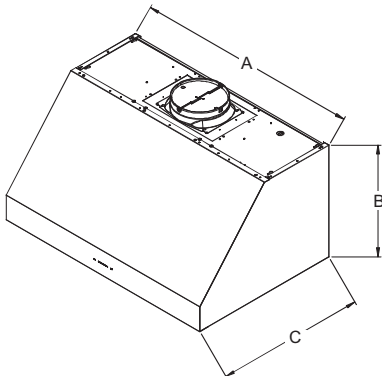


- \* Dimensión ventilador individual de rectangular
- \*\* Dimensión ventilador individual de redondo
- \*\*\* Dimensión ventilador doble

### Dimensiones de la parte posterior



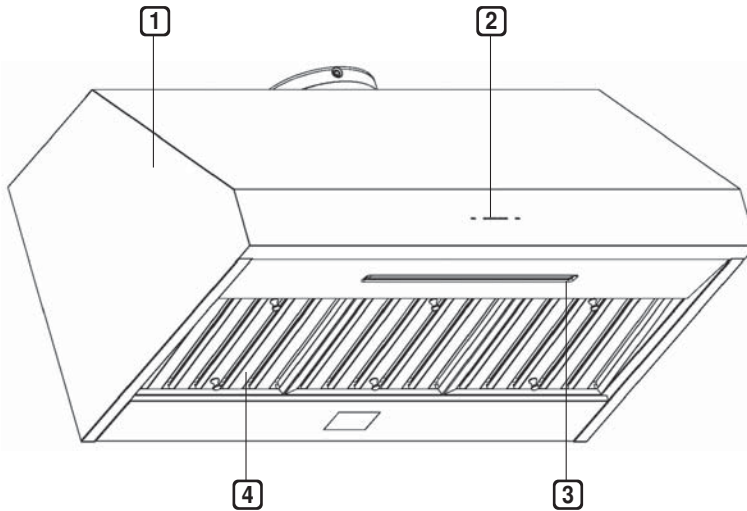
### Dimensiones generales



Modelo	A	B	C	D	E
SKSPH4802S	48"	18"	24"	6"	45 7/8"
SKSPH3602S	36"				33 7/8"

# DESCRIPCIÓN GENERAL DEL PRODUCTO

## Piezas



1 CAMPANA

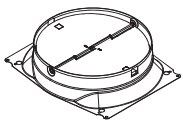
2 PANEL DE CONTROL TÁCTIL CON ICONOS

3 LUZ LED

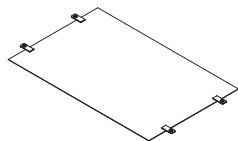
4 FILTRO DEFLECTOR  
(SKSPH4802S: 4 pzas., SKSPH3602S: 3 pzas.)

## Lista de piezas

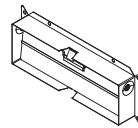
### Accesorios incluidos



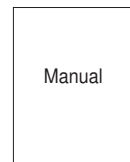
Collarín redondo 8"



Placa de cubierta superior

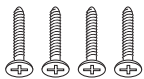


collarín de conducto rectangular 3 1/4"x10"

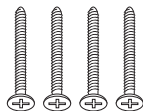


Manual

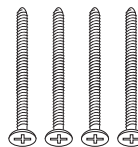
Manual



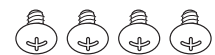
M6 x 1" (4)



M6 x 1-1/2" (4)



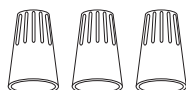
M6 x 2" (4)



M3.5 x 8 (4)



3/16 x 3/8 (4)



Remates para cables (3)



Arandelas (4)

# PLANIFICACIÓN DE LA INSTALACIÓN

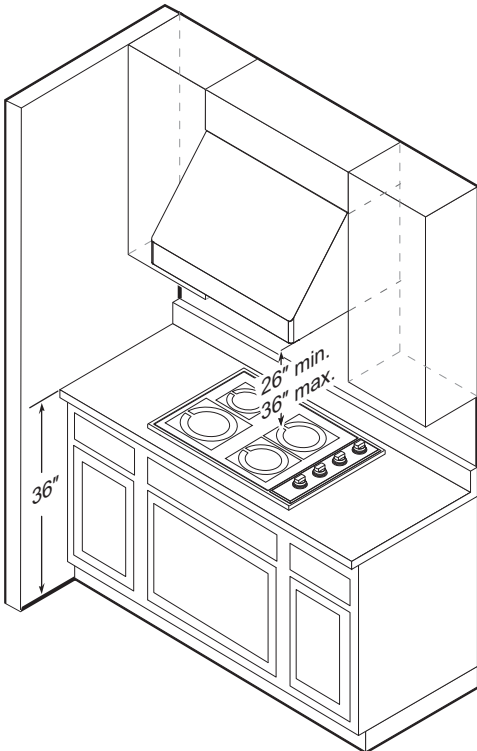
## ⚠️ ADVERTENCIA

Respete todos los códigos y las ordenanzas vigentes durante la planificación y la instalación. Póngase en contacto con el departamento de construcción de su localidad para obtener más información. Utilice solamente conductos considerados aceptables por las normas estatales, municipales y locales.

## Disposición de alacenas

## ⚠️ ADVERTENCIA

Para reducir el riesgo de daños personales causados por estirar el cuerpo sobre un artefacto caliente, debe evitarse usar el espacio de almacenamiento de la alacena ubicada justo encima de la cocina.



### Ancho mínimo de la alacena

Modelos	Ancho
SKSPH4802S	48" (121,9 cm)
SKSPH3602S	36" (91,5 cm)

## Conducto

Debe usarse un conducto rectangular de un mínimo de 8" redondo o 3-1/4" x 10" rectangular para mantener la máxima eficiencia de flujo de aire para un ventilador y un conducto redondo de 10" para un ventilador doble.

Utilice siempre conductos de metal solamente. Los conductos flexibles podrían restringir el flujo de aire en hasta un 50 %.

Utilice un cálculo (en la página 12) para calcular el conducto total disponible cuando se utilicen codos, transiciones y casquetes.

SIEMPRE, cuando sea posible, reduzca el número de transiciones y giros. Si se requiere un conducto largo, aumente el tamaño del conducto de 8" a 10".

Si se requieren giros o transiciones, instálelas tan lejos como sea posible de la salida del conducto a la campana y tan separados como sea posible.

La altura de montaje mínima entre la placa y la parte inferior de la campana no debería ser inferior a 26".

La altura máxima de montaje no debería ser superior a las 36".

Es importante instalar la campana a una altura de montaje adecuada. Instalar la campana demasiado bajo podría resultar en daños por calor y riesgo de fuego. Si se monta demasiado alta, será difícil llegar a ella y se reduce su rendimiento y eficiencia.

Si está disponible, consulte los requisitos de espacio de altura del fabricante de la placa y la altura recomendada de montaje de la campana sobre la placa.

### Conducto vertical:

- Mínimo 8" redondo (ventilador individual)
- Mínimo 10" redondo (ventilador doble)

### Conducto horizontal:

- Mínimo 3-1/4" x 10" (ventilador individual)
- Mínimo 8" redondo (ventilador individual)
- Mínimo conducto circular de 10" (soplador dual)

## ⚠️ PRECAUCIÓN

### DAÑOS DURANTE EL ENVÍO/INSTALACIÓN:

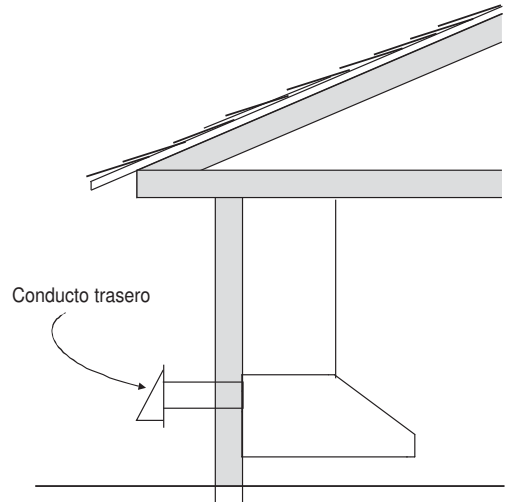
- Inspeccione la unidad en busca de daños antes de la instalación.
- Si la unidad se daña durante en transporte, devuelva la unidad a la tienda donde la compró para su reparación o sustitución.
- Si la unidad ha sido dañada por el cliente, la reparación o sustitución de la misma es responsabilidad del cliente.
- Si la unidad ha sido dañada por el instalador (si es distinto al cliente), la reparación o sustitución debe realizarse mediante acuerdo entre el cliente y el instalador.

## Opciones de conducto

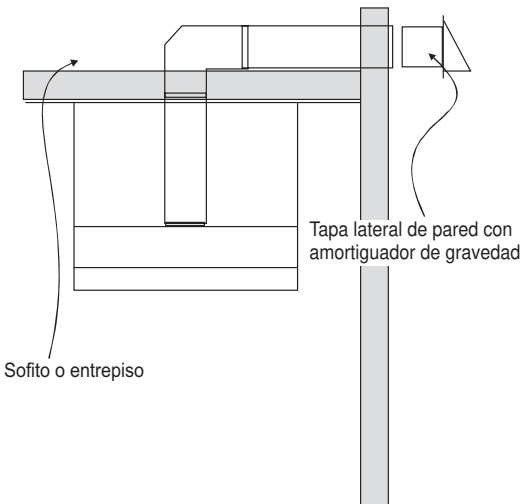
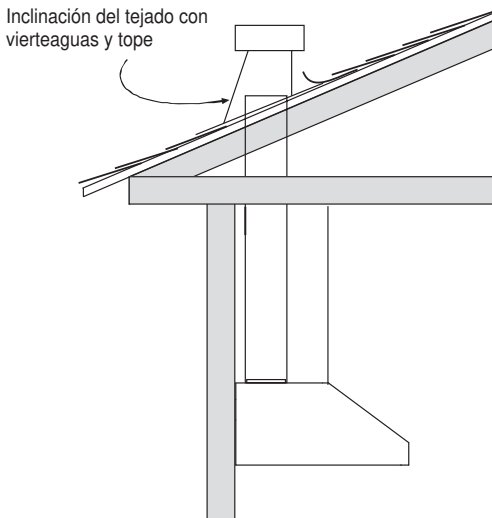
### ⚠ ADVERTENCIA

#### Riesgo de fuego

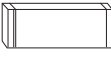
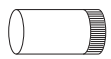
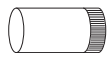
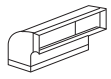
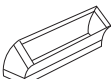




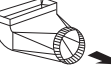

- NUNCA extraiga aire o termine el conducto en espacios entre paredes, espacios angostos, techos, áticos o garajes.
- Toda la extracción debe realizarse al exterior.
- Utilice únicamente conductos de metal.
- Fije todas las conexiones con tornillos para metal y cubra todas las juntas con cinta plateada o cinta de conducto certificada.

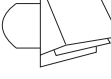


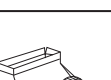
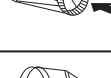


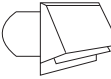




## Ejemplos de opciones de conducto



# Hoja de cálculo de conducto

Piezas de conducto		Longitud equivalente x número usado =	Total
	Rectangular, recto 3-1/4" x 10"	1 Ft. x ( ) =	Ft.
	6" redondo, recto	1 Ft. x ( ) =	Ft.
	7"-10" redondo, recto	1 Ft. x ( ) =	Ft.
	3-1/4" x 10" rectangular, codo de 90°	15 Ft. x ( ) =	Ft.
	3-1/4" x 10" Rectangular, codo de 45°	9 Ft. x ( ) =	Ft.
	3-1/4" x 10" Rectangular, codo plano de 90°	24 Ft. x ( ) =	Ft.
	3-1/4" x 10" Rect. Tope de pared con compuerta	30 Ft. x ( ) =	Ft.
	3-1/4" x 10" Rect. transición redonda de 6"	5 Ft. x ( ) =	Ft.
	3-1/4" x 10" Rect. transición redonda de 6" codo de 90°	20 Ft. x ( ) =	Ft.
	6" redondo, codo de 90°	15 Ft. x ( ) =	Ft.
	6" redondo, codo de 45°	9 Ft. x ( ) =	Ft.
Subtotal columna 1 =			Ft.

Piezas de conducto		Longitud equivalente x número usado =	Total
	6" tope de pared redondo con compuerta	30 Ft. x ( ) =	Ft.
	6" redondo, tope de tejado	30 Ft. x ( ) =	Ft.
	6" redondo para transición rectangular 3-1/4" x 10"	1 Ft. x ( ) =	Ft.
	6" redondo para transición rectangular, 3-1/4" x 10" codo de 90°	16 Ft. x ( ) =	Ft.
	7" - 10" redondo, codo de 90°	15 Ft. x ( ) =	Ft.
	7" - 10" redondo, codo de 45°	9 Ft. x ( ) =	Ft.
	7" - 10" Tope de pared redondo con apertura	30 Ft. x ( ) =	Ft.
	7" - 10" redondo, tope de tejado	30 Ft. x ( ) =	Ft.
	7" redondo a transición rectangular 3-1/4" x 10"	8 Ft. x ( ) =	Ft.
	7" round to 3-1/4" x 10" rect. transition 90° elbow	23 Ft. x ( ) =	Ft.
Subtotal columna 2 =			Ft.
Subtotal columna 1 =			Ft.
Total conducto =			Ft.

**Longitud máx. del conducto:** Para un movimiento de aire satisfactorio, la longitud total del conducto no debería superar el equivalente a 100 pies.

## Consejos para el diseño del conducto

Siempre que sea posible, reduzca el número de transiciones y curvas al menor número de ángulos agudos que sea posible. Dos instancias de ángulos de 45° son mejores que una de 90°.

Las curvas deben encontrarse tan lejos del escape de la campana como sea posible y debe permitirse todo el espacio que sea posible entre las curvas.

Para un mejor rendimiento, utilice conductos redondos en lugar de rectangulares, especialmente cuando se necesiten codos.

Si se utilizan varios codos, trate de mantener un mínimo de 24" de conducto recto entre ellos.

Evite el uso de codos adyacentes en "S" o pegados.

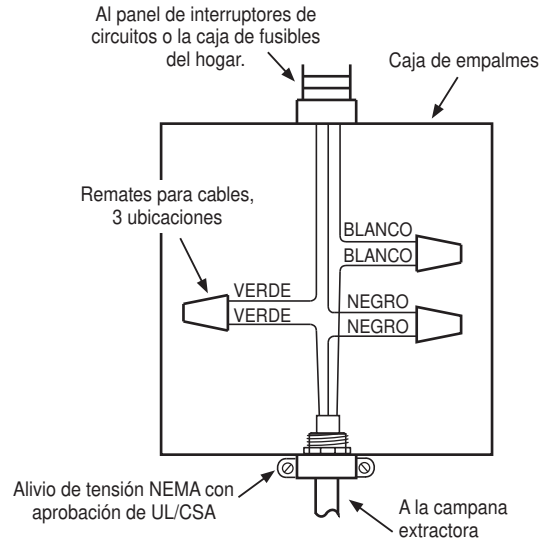
En las regiones donde el clima sea extremadamente frío, utilice barreras térmicas, como una sección corta de conducto no metálico, para evitar la pérdida de calor del interior. Ubique la barrera lo más cerca posible del punto de paso al exterior.

No utilice conductos de metal flexible.

**No** use conductos que sean más pequeños en el área de la sección transversal que los tipos recomendados anteriormente.

## Suministro eléctrico

Este aparato requiere un suministro eléctrico de 120V 60Hz, y debe conectarse a un circuito ramal con una conexión a tierra adecuada, protegido por un interruptor de circuitos de 15 o 20 amperios o un fusible de acción retardada. El cableado debe ser un cable de 2 cables con tierra. Consulte la etiqueta Diagrama eléctrico en el producto.



Conexión de 3 cables a caja de empalmes

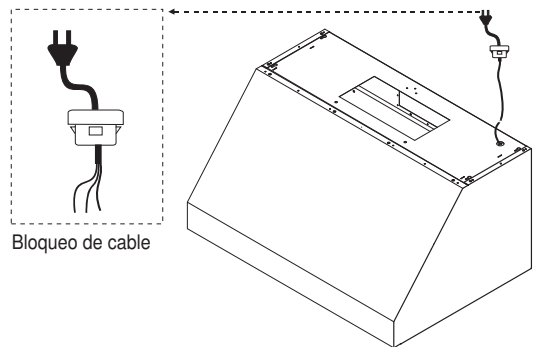
## Suministro de energía

### **ADVERTENCIA**

- La información de este manual se debe seguir exactamente. Si no lo hace, podría provocar un incendio o una descarga eléctrica, causando daños a la propiedad, lesiones personales o la muerte.
- **Todo el trabajo eléctrico debe ser realizado por un electricista cualificado o una persona con conocimiento y experiencia técnica similar.**
- Para su seguridad persona, extraiga el fusible o abra el interruptor de circuitos antes de comenzar la instalación. No utilice un extensor de cables o enchufe adaptador con este aparato.
- **Siga los códigos eléctricos nacionales o los códigos y ordenanzas locales.**

## Bloqueo de cable

Las ordenanzas locales pueden requerir un conector de bloqueo de cable (no suministrado). Consulte los requisitos y ordenanzas locales y compre e instale el conector apropiado si es necesario.



## Verifique el contenido del embalaje

Desembale la caja y verifique que todas las piezas y accesorios están incluidos. Si falta algún elemento o está dañado, contacte con el distribuidor de inmediato. No instale un aparato dañado o incompleto.

Asegúrese de que tiene todo lo necesario para la instalación.

# INSTRUCCIONES DE INSTALACIÓN

## **⚠ ADVERTENCIA**

- No instale la campana extractora, a menos que el suministro de energía eléctrica del domicilio cumpla con las especificaciones de la campana.
- Respete todos los códigos y las ordenanzas vigentes durante la instalación. Póngase en contacto con el departamento de construcción de su localidad para obtener más información.
- La instalación de este artefacto empotrable debe ser realizada por un técnico calificado. Hace falta más de una persona para levantar la campana en su lugar. El propietario es responsable de que la campana se instale correctamente.

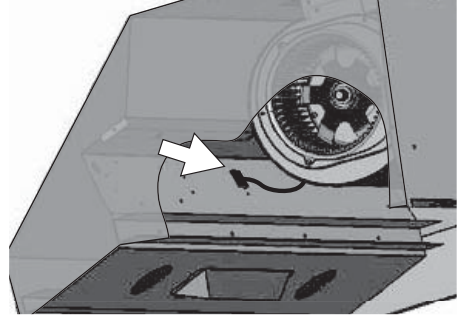
- 1 Comience quitando los filtros de la parte inferior de la campana. Colóquelos en un lugar seguro para que no se dañen.
- 2 Si se va a instalar la campana para que evacue el aire por la parte posterior, los extractores deben girarse a la posición correcta antes de colgar la campana.

## Posicionamiento del extractor

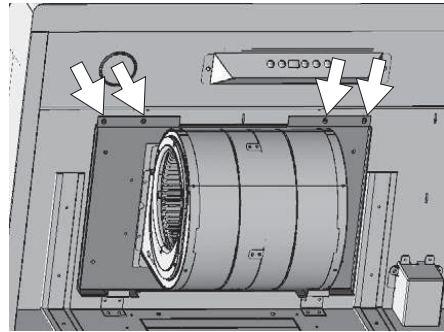
Esta campana extractor está equipada de forma estándar con una opción de conducto vertical redondo de 8". Para convertir el conducto vertical redondo de 8" a un conducto horizontal redondo de 8" o un conducto rectangular horizontal de 3-1/4" x 10" siga las instrucciones siguientes.

## Conversión de conducto vertical a horizontal

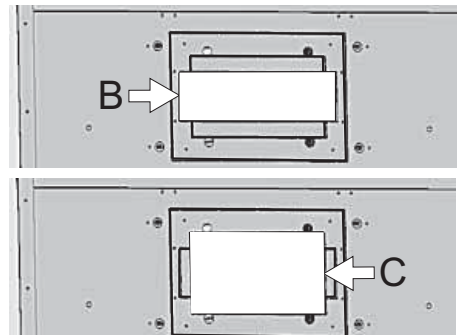
- 1 Desconecte el enchufe del soplador.



- 2 Quite los 4 tornillos en el interior de la campana que unen la placa del soplador individual a la parte superior del cuerpo de la campana. Retire el soplador individual y la placa del soplador.

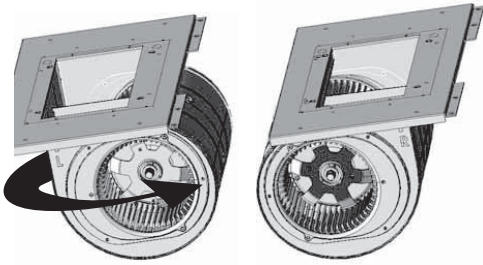


- 3 En la parte posterior, remueva la placa B para conductos rectangulares, o la placa C para conductos circulares de 8 pulgadas.

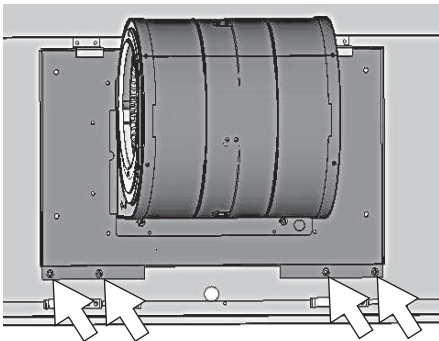




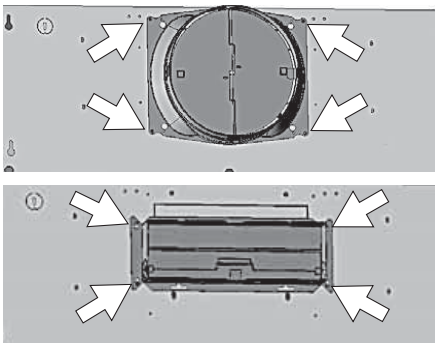
- 4** Quite los 4 tornillos que sujetan el soplador a la placa del soplador. Gire el soplador 180 grados y vuelva a ajustarlo a la placa del soplador.



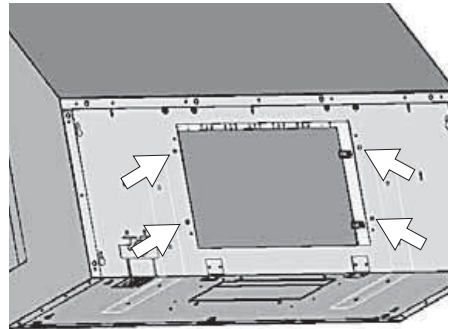
- 5** Coloque el soplador individual y la placa del soplador tal como se muestra, colocando la parte posterior de la placa del soplador en las lengüetas de la parte posterior de la campana. Asegure la placa del soplador usando los 4 tornillos del paso 2.



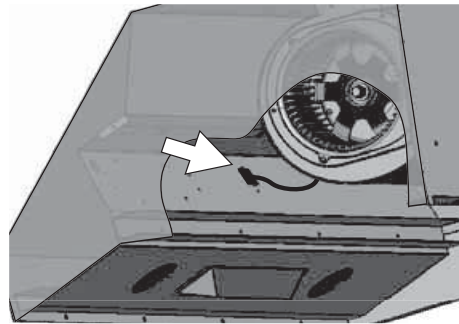
- 6** Fije un collar de conducto circular de 8" o un collar rectangular de 3 1/4" x 10" a la parte posterior del cuerpo de la campana utilizando cuatro tornillos M3.5 x 8.



- 7** Desde el interior del cuerpo de la campana, alinee la placa superior con la parte superior del cuerpo de la campana. Fije la cubierta superior desde el exterior de la campana, utilizando cuatro tornillos de 3/16" x 3/8".



- 8** Conecte el enchufe del soplador.



## Montaje de la campana extractora



### PRECAUCIÓN

- Se requieren al menos dos instaladores debido al peso y tamaño de la campana.

- 1 Seleccione la orientación del conducto de su preferencia (vertical u horizontal) y prepare la campana. Consulte la página 14 en referencia al conducto horizontal de un soplador individual.
- 2 Compruebe el nivel y marque la línea central.
- 3 Elija la altura deseada por encima de la superficie de la cocina (mínimo 26"). Nivele y marque la parte inferior de la campana (línea A en la figura 1).
- 4 Nivele y marque la parte superior del tablero de madera (línea B en la figura 1), 16 7/8" de la línea A.
- 5 Dibuje una línea central en el tablero de madera tal como se muestra. Alinee el centro del tablero con la línea central en la pared y alinee la parte superior del tablero con la línea B. Sujete el tablero a los clavos de la pared usando cuatro tornillos para madera M6.

#### Dimensiones del tablero de madera: (Ancho x Profundidad x Altura)

SKSPH3602S - 33" x 1/2" x 4"  
SKSPH4802S - 45" x 1/2" x 4"

- 6 Prepare el tubo de conducto y los cortes de conducto en el armario superior si fuera necesario, o en la pared si conectará la campana horizontalmente. Consulte las especificaciones de la campana en la página 8 para conocer las dimensiones de los cortes de conducto.
- 7 Prepare el cableado eléctrico y las conexiones eléctricas en el armario superior si fuera necesario, o en la pared si se requiere un montaje eléctrico horizontal. Consulte las especificaciones de la campana en la página 8 para conocer las dimensiones de las conexiones eléctricas.
- 8 Instale la campana sobre el tablero de madera y asegúrela utilizando cuatro tornillos para madera M6.
- 9 Inserte dos tornillos para madera M6 en la pared a través de los agujeros para tornillos en la parte inferior del cuerpo. Vea la Fig. 2 para conocer las dimensiones entre los agujeros para tornillos.
- 10 Instale la conexión eléctrica.
- 11 Instale el conducto y séllelo con cinta adhesiva de aluminio certificada.
- 12 Encienda la campana y verifique que no haya fugas alrededor de la cinta adhesiva.
- 13 Instale los filtros deflectores.

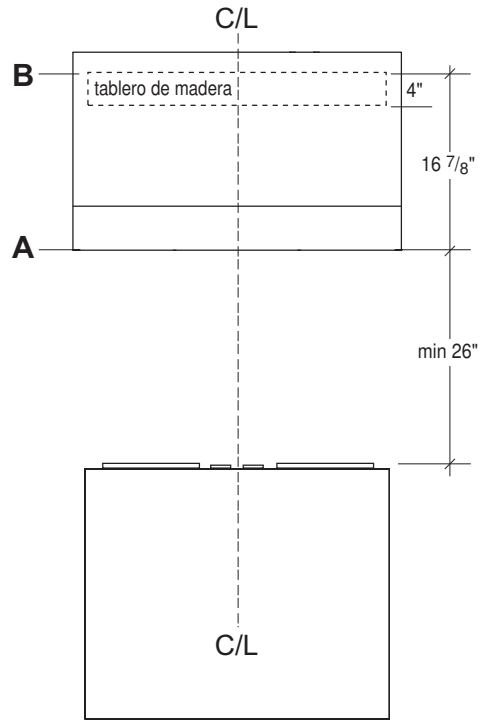


FIG. 1

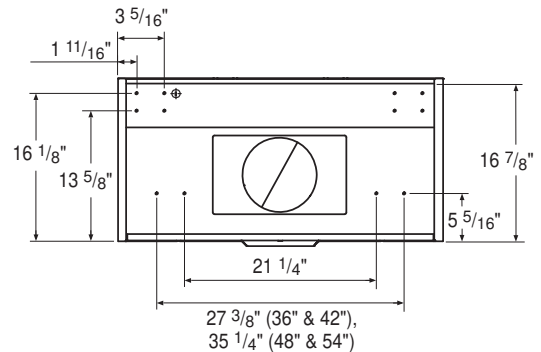


FIG. 2



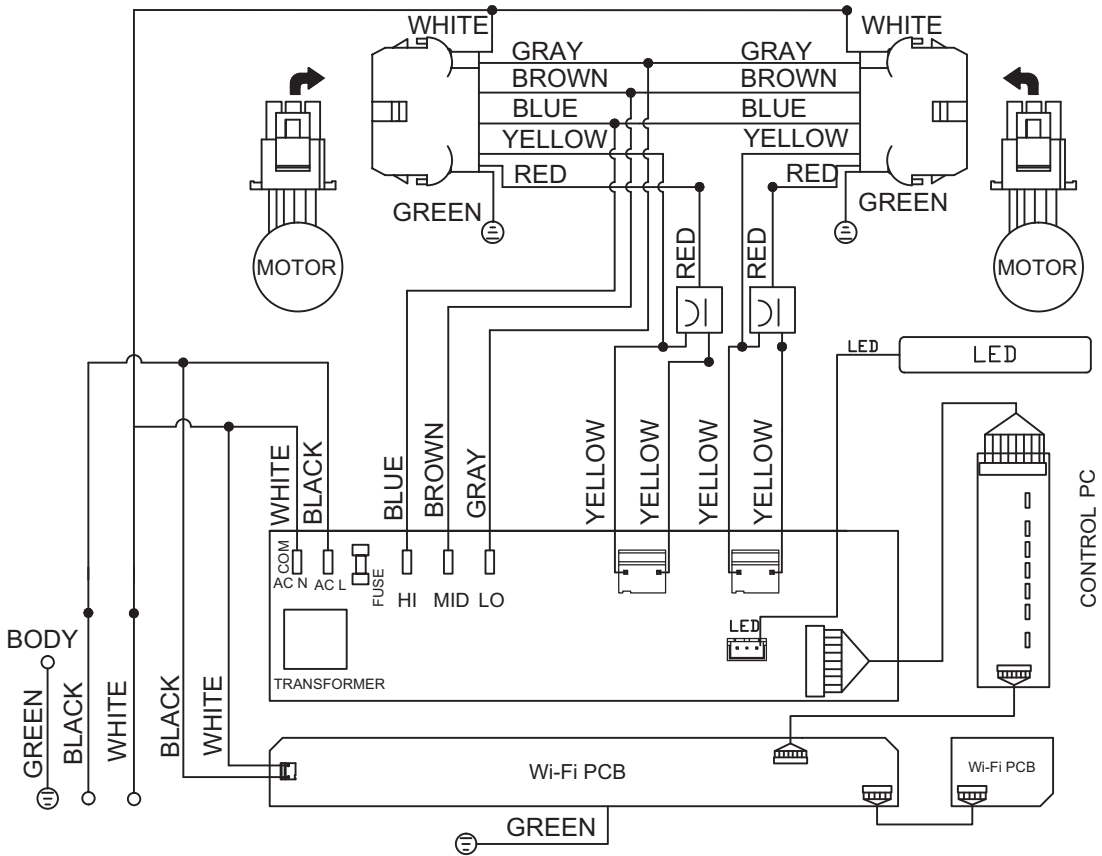
### ADVERTENCIA

- El cableado eléctrico debe ser realizado por personal cualificado de acuerdo con todos los códigos y normas aplicables.
- Esta campana debe estar debidamente conectada a tierra. Desconecte la alimentación eléctrica de la fuente de alimentación principal antes de realizar el cableado.

# DIAGRAMA DE CABLEADO

Modelos	Voltios	Hz	Amps Max.
SKSPH4802S SKSPH3602S	120	60	Motor individual 4
			Motor doble 7

ESPANOL



REMARKS: CONDENSER 11+11uF 250VAC \*2 FIT AC120V 60Hz



Customer Information Center

For inquires or comments, call:  
**1-855-790-6655** USA