

BEASLEY THERMOSTATIC SHOWER SYSTEM WITH SLIDE BAR AND HAND SHOWER

SKU: 953961

Code: SHBE9009, SH6006, SHRSA123, SHRSB820RG, SHHS4090G, SHH1010, SHWE2040, SHBE90052, SH6103, SHBE9007, SH6040, SHSB3010



ASME A112.18.1/CSA B125.1

ASSE 1016 Type T

CEC Listed

WaterSense by IAPMO

Massachusetts Accepted

LISTED ID: SH6103, SH6006, SH6040, SHWE204*,
SHH1010*, SHRSB820RG*, SHBE9009*, aSHBE9007*,
SHRSA123**, SHBE90052*, SHHS4090G*



FEATURES

Installation Type: Wall Mount

Features: Thermostatic, Rough-In Included

Design: Modern

Material: Metal, ABS

Mounting Hardware Included: Yes

Assembly Required: Yes

Shape: Round

Handle Type: Lever

NPT Connection: 1/2"

Body Sprays: No

Shower Head Installation Type: Wall

Number of Shower Heads: 1

Shower Head Spray: Single Function

Shower Head Length: 8"

Shower Head Width: 8"

Shower Arm Included: Yes

Shower Arm Extension: 12-3/8"

Shower Arm Height: 5-3/8"

Shower Head: 1/2" NPSM

Shower Head Swivel: Yes

Valve Trim Width: 6-3/4"

Valve Trim Height: 6-3/4"

Slide Bar Length: 30"

Hand Shower Length: 9-1/8"

Hand Shower Hose Length: 60"

Hand Shower Material: ABS

Hand Shower Flow Rate: 1.8 gpm (6.8 L/min) @ 80 psi

Diverter Included: Yes

Diverter Outlets: 3

Shower Head Flow Rate: 1.8 gpm (6.8 L/min) @ 80 psi

Rainfall Shower Head Flow Rate: 1.8 gpm (6.8 L/min) @ 80 psi

Ceramic Disc Cartridges: Yes

REVISED 1/15/2024

BEASLEY THERMOSTATIC SHOWER SYSTEM WITH SLIDE BAR AND HAND SHOWER

SKU: 953961

Code: SHBE9009, SH6006, SHRSA123, SHRSB820RG, SHHS4090G, SHH1010, SHWE2040, SHBE90052, SH6103, SHBE9007, SH6040, SHSB3010



ADDITIONAL FEATURES

Thermostatic Shower Valve Trim

- Overall Projection: 7".
- Temperature outlet factory preset to 104 degrees Fahrenheit.
- Temperature can be easily adjusted up and down to user's comfort level.
- Scald guard protection.
- High temperature limit stop.
- Thermostatic technology keeps shower temperature within 1 degree Celsius.
- Wall thickness range: 1" to 1-3/4".

Thermostatic Rough-In Valve - 3/4" Connection:

- Bronze valve body.
- Factory-calibrated comfort setting at 104 degrees Fahrenheit.
- Water inlet stops and check valve.
- Thermostatic technology keeps shower temperature ± 1 degree Celsius.

12" Wall-Mount Rainfall Shower Arm:

- Solid brass construction.
- Escutcheon included.

8" Modern Round Rainfall Shower Head - 1.8 GPM:

- Single function shower head (full spray).

Easy clean rubber nozzles.

- Brass ball joint.
- Pinecrest Hand Shower:
 - 3 function hand shower (full spray, massage spray, full & massage spray).
 - Factory installed backflow prevention check valve.

60" Stretchable Metal Hand Shower Hose:

- Double spiral constructed hose.

Swivel Water Supply Elbow and Bracket for Hand Shower :

- 1/2" Female wall connection.
- 1/2" Male hose connection.
- Brass inlet/outlet, ABS body.

Beasley In-Wall Shower Diverter Trim :

- Metal handle.
- Metal Escutcheon.

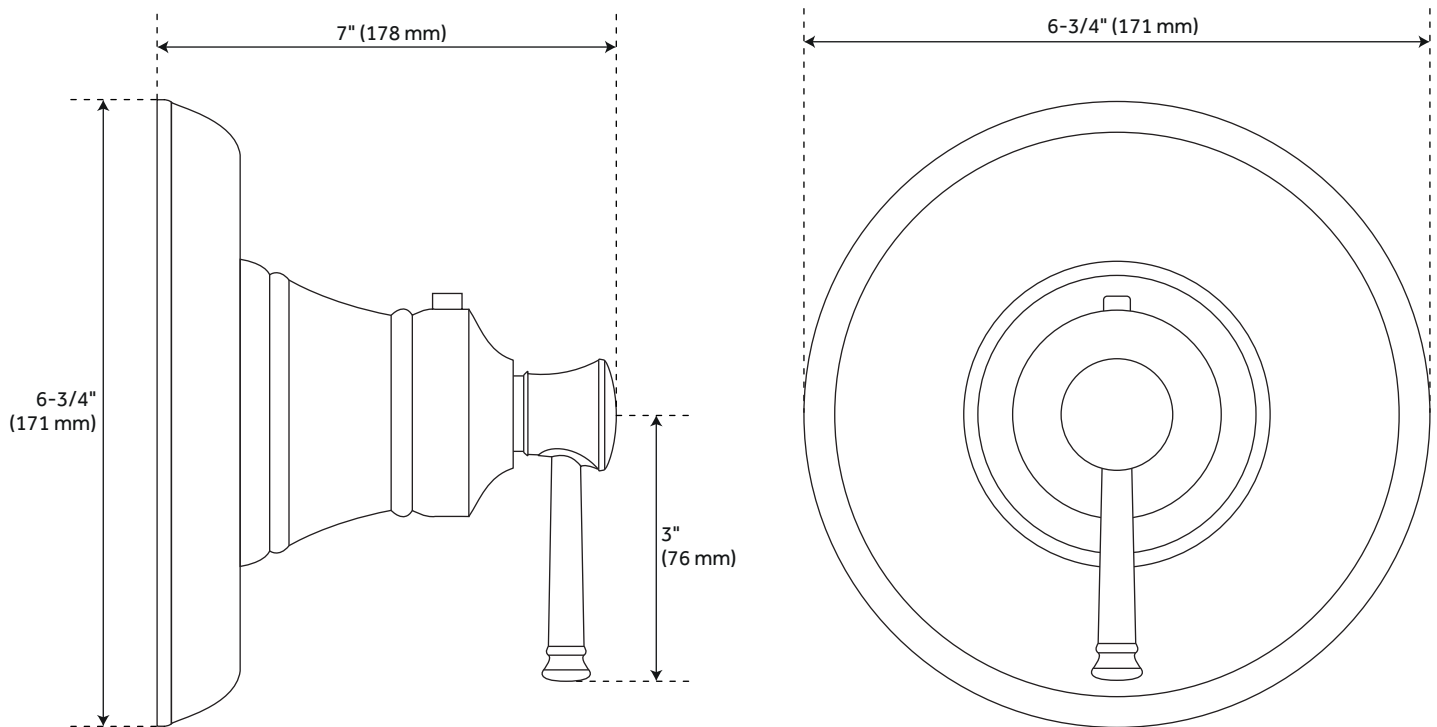
3-Way In-Wall Diverter Rough-In Valve - 3/4":

- For installations only requiring 2 outlets, the 3rd outlet may be looped into one of the existing pipes.

REVISED 1/15/2024

BEASLEY THERMOSTATIC SHOWER VALVE TRIM

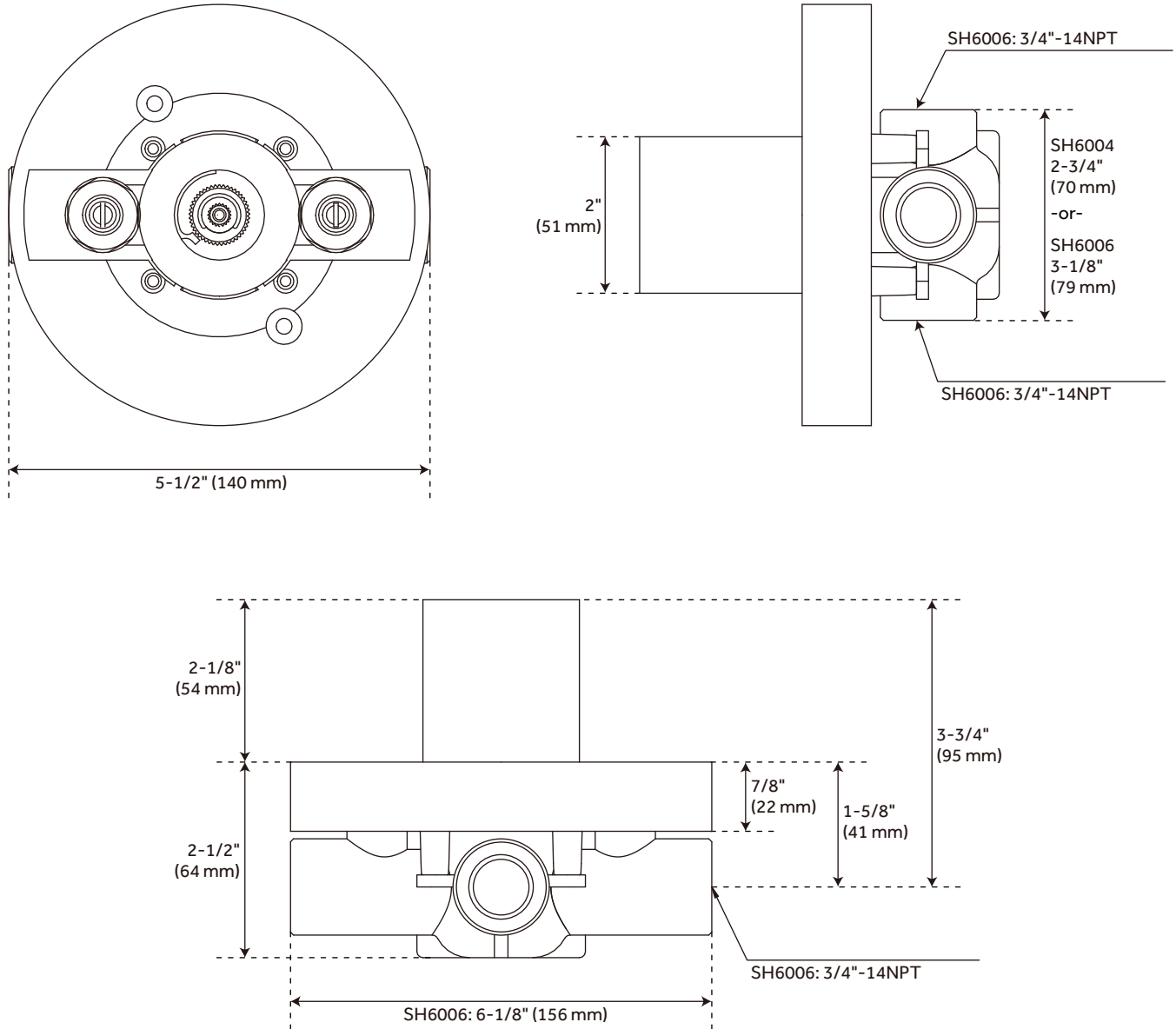
CODE: SHBE9009



All dimensions and specifications are nominal and may vary. Use actual products for accuracy in critical situations.

BEASLEY THERMOSTATIC ROUGH-IN VALVE

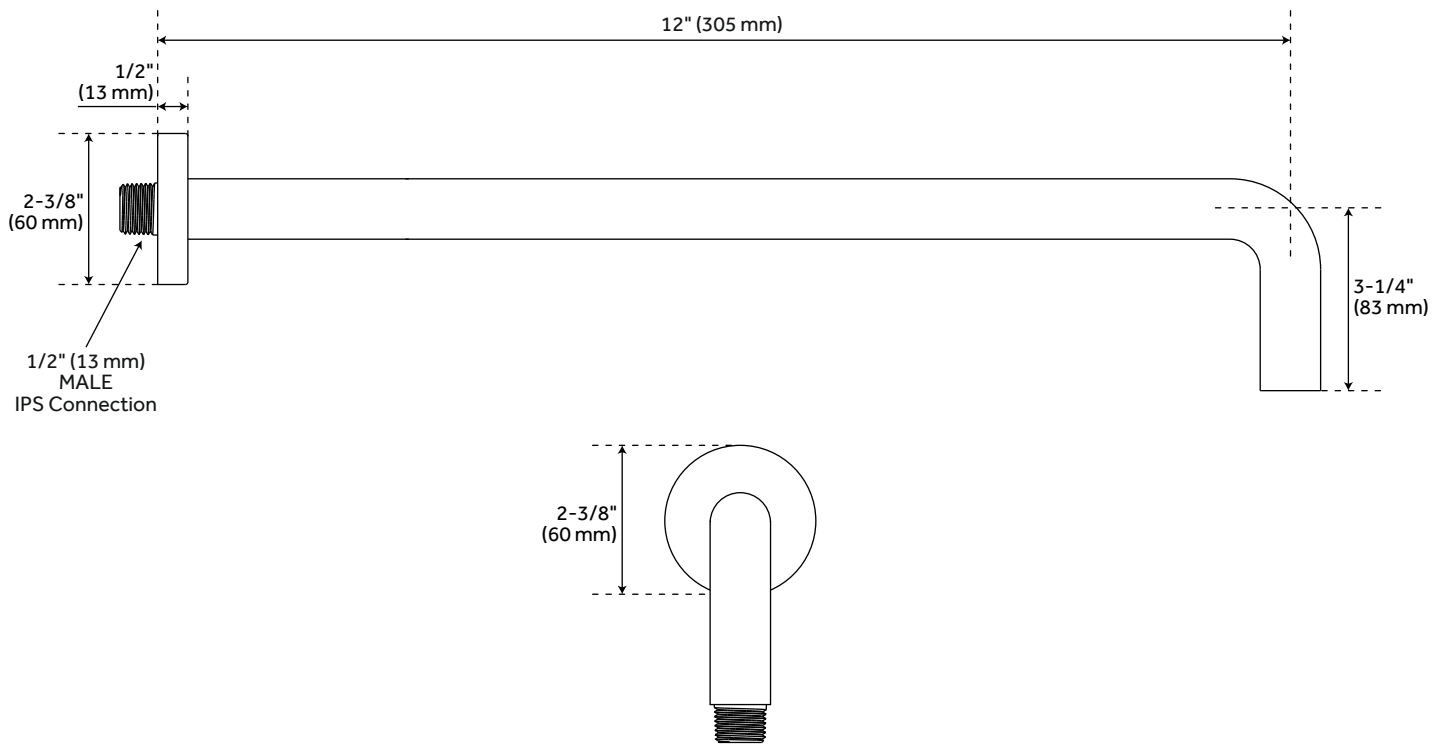
CODE: SH6006



All dimensions and specifications are nominal and may vary. Use actual products for accuracy in critical situations.

BEASLEY WALL-MOUNT SHOWER ARM

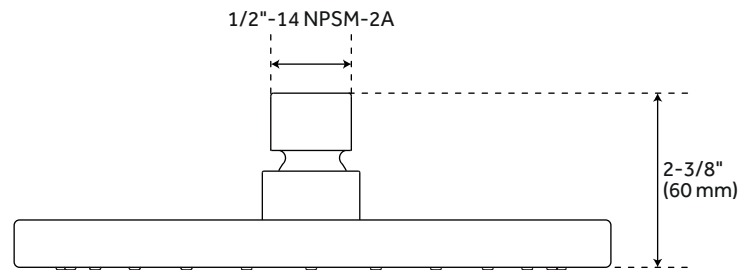
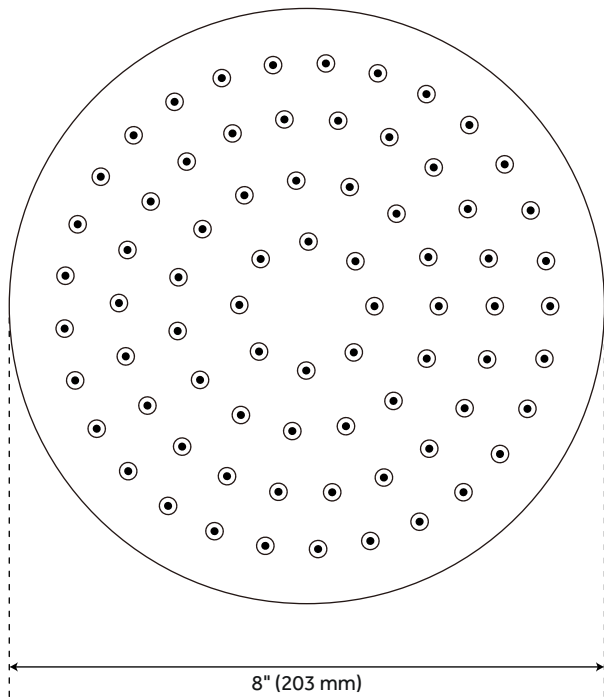
CODE: SHRSA123



All dimensions and specifications are nominal and may vary. Use actual products for accuracy in critical situations.

BEASLEY RAINFALL SHOWER HEAD

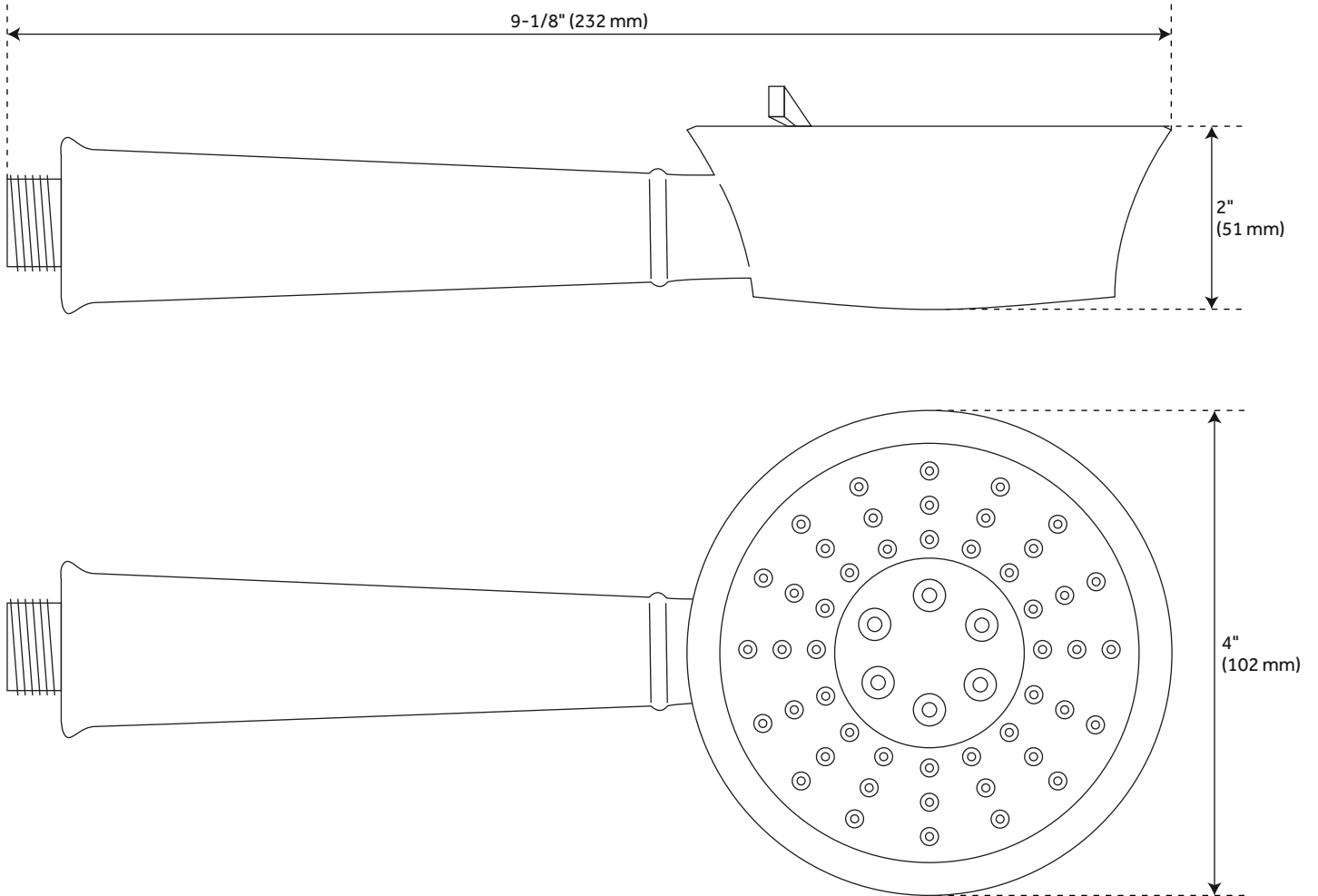
CODE: SHRSB820RG



All dimensions and specifications are nominal and may vary. Use actual products for accuracy in critical situations.

BEASLEY HAND SHOWER

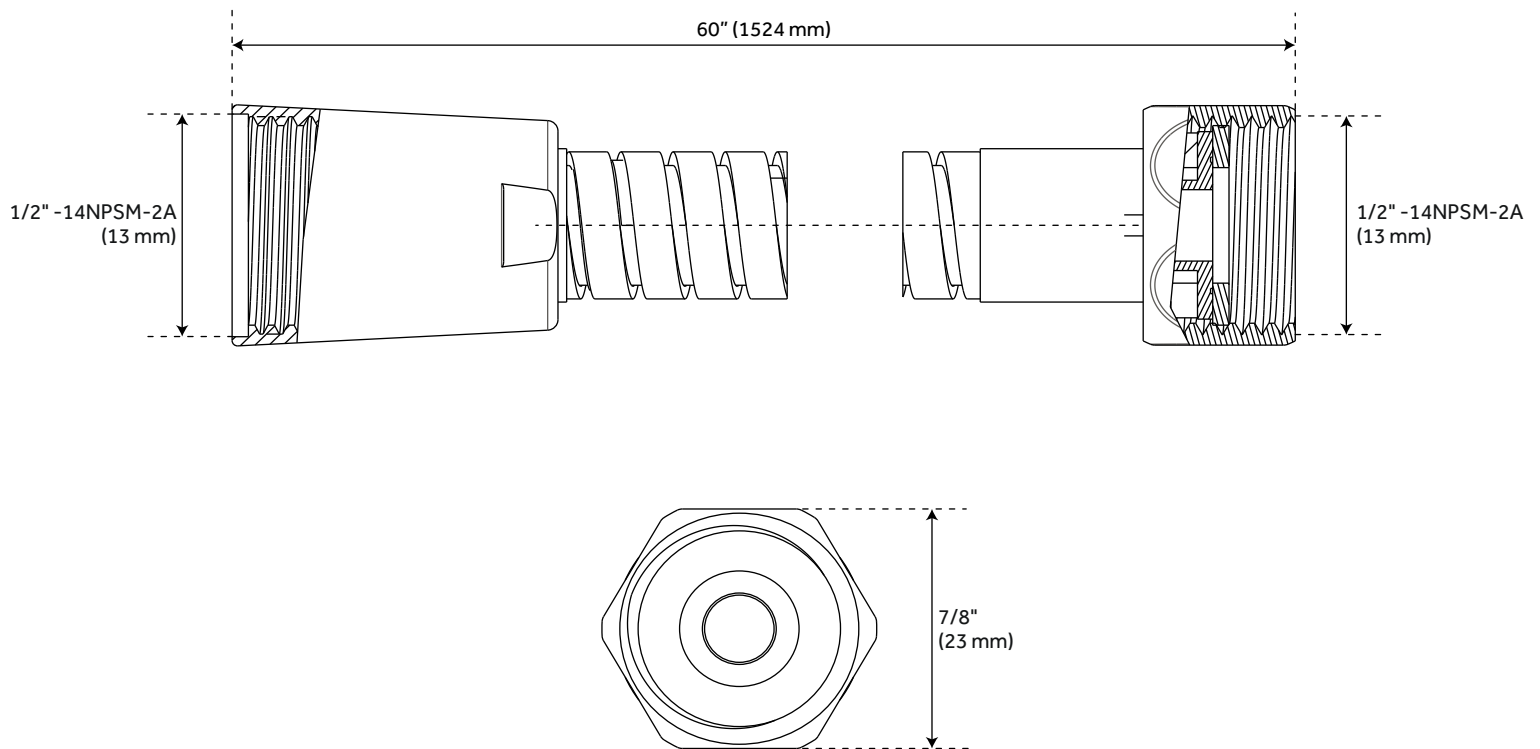
CODE: SHHS4090G



All dimensions and specifications are nominal and may vary. Use actual products for accuracy in critical situations.

BEASLEY HAND SHOWER HOSE

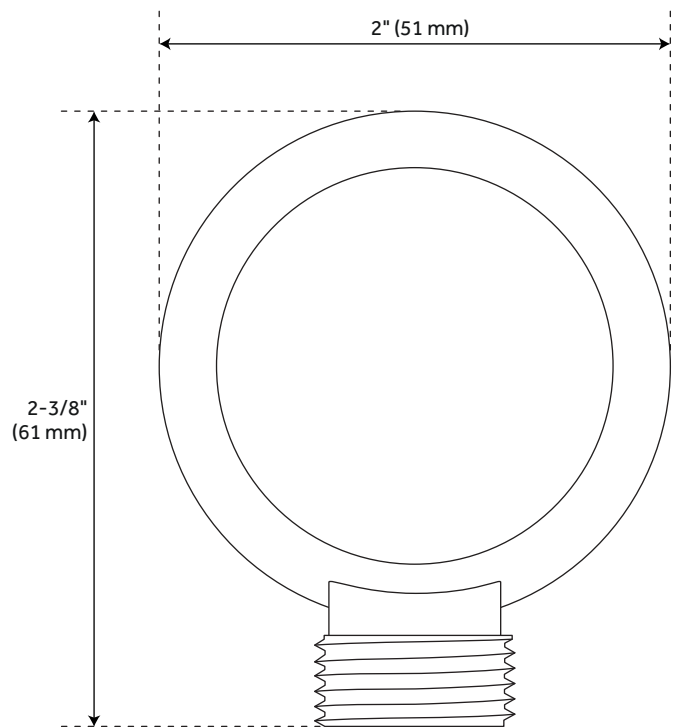
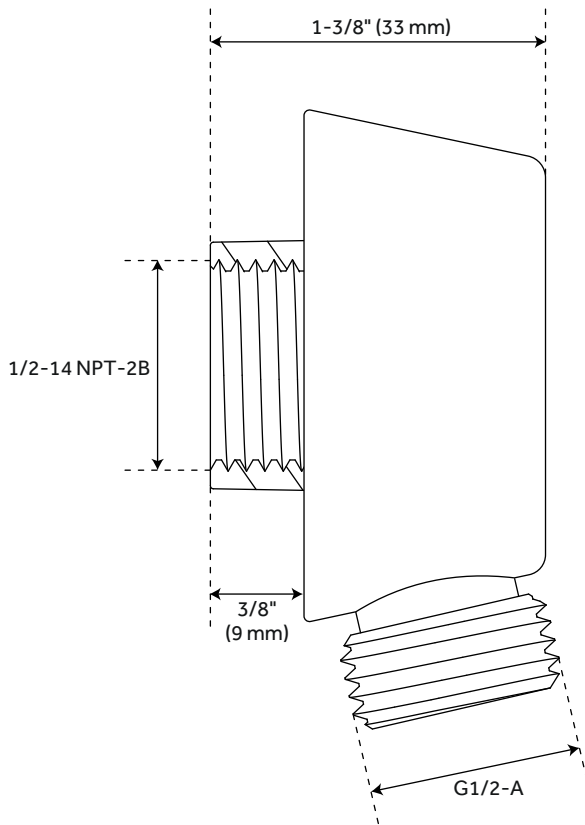
CODE: SHH1010



All dimensions and specifications are nominal and may vary. Use actual products for accuracy in critical situations.

BEASLEY WATER SUPPLY ELBOW

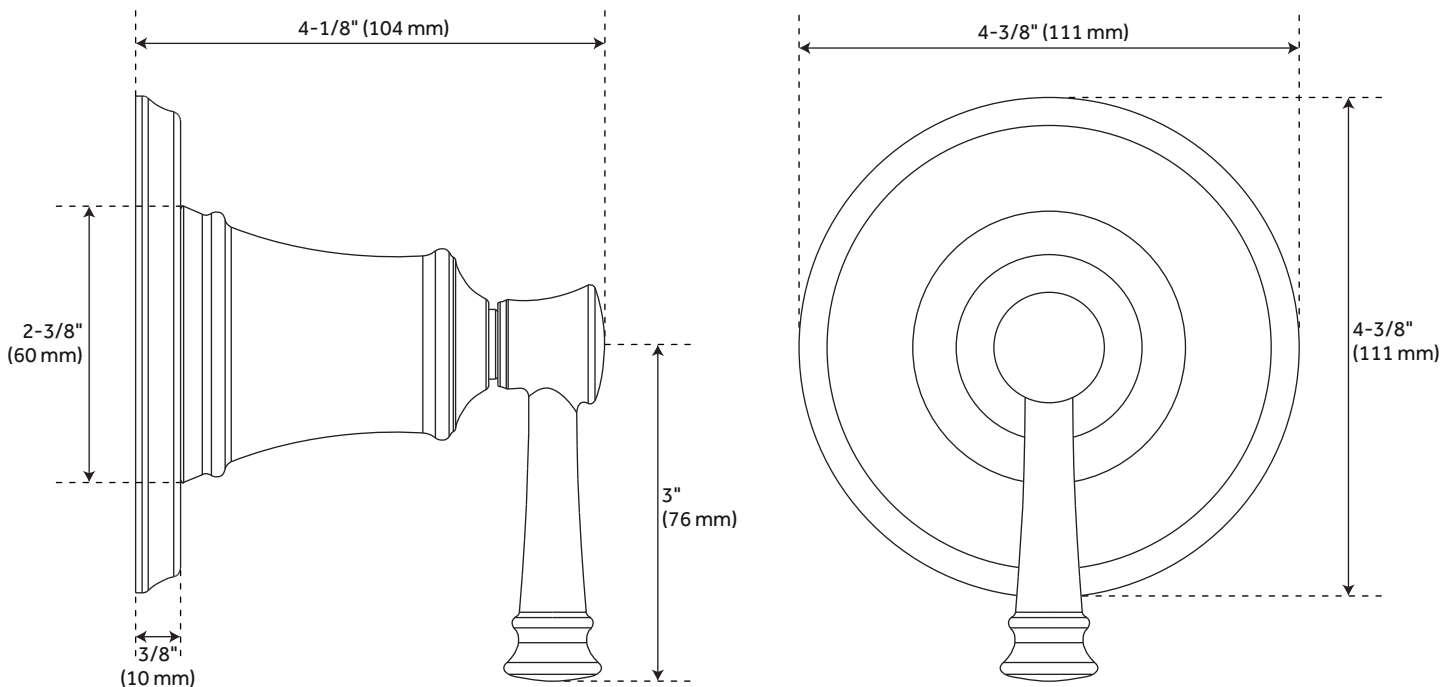
CODE: SHWE2040



All dimensions and specifications are nominal and may vary. Use actual products for accuracy in critical situations.

BEASLEY 3-WAY IN-WALL DIVERTER VALVE TRIM

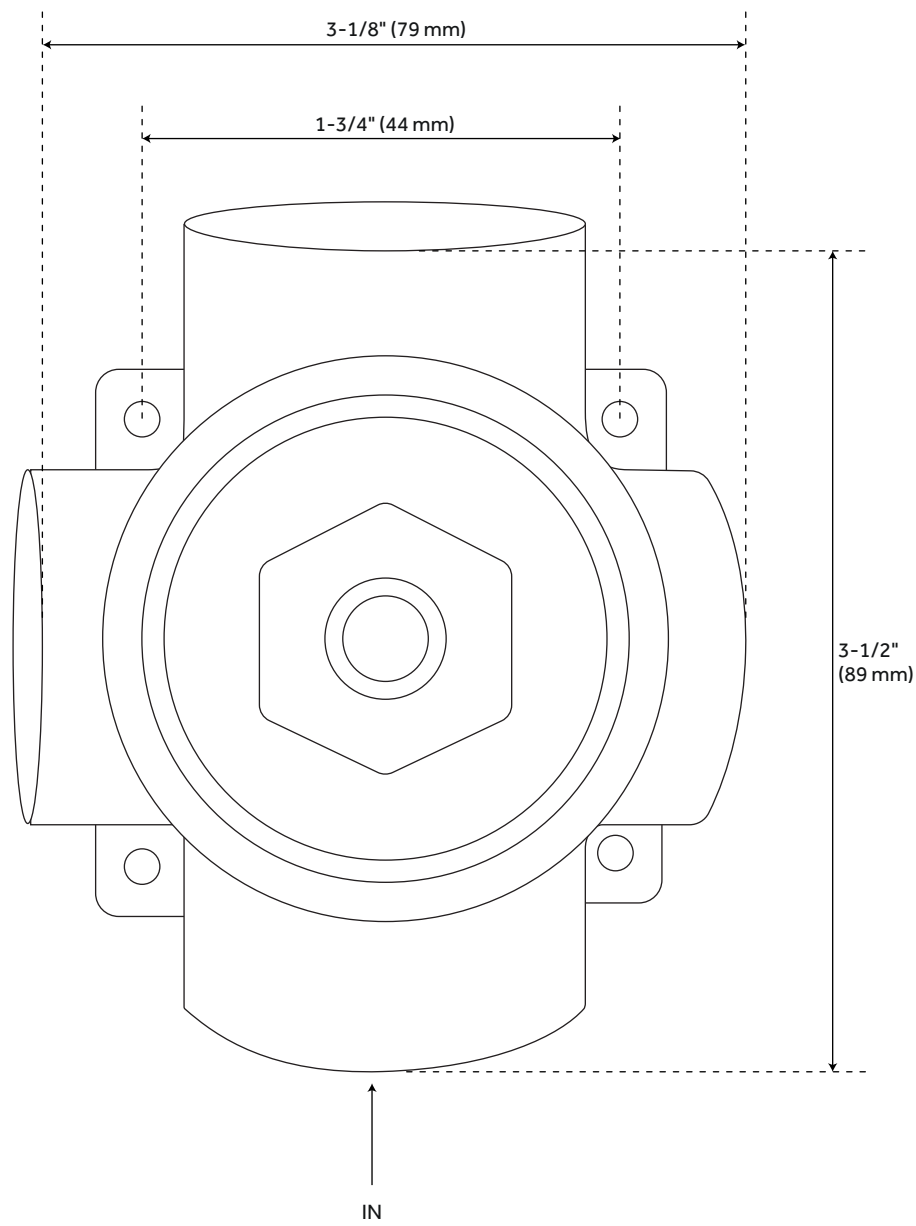
CODE: SHBE90052



All dimensions and specifications are nominal and may vary. Use actual products for accuracy in critical situations.

3-WAY IN-WALL DIVERTER ROUGH-IN VALVE

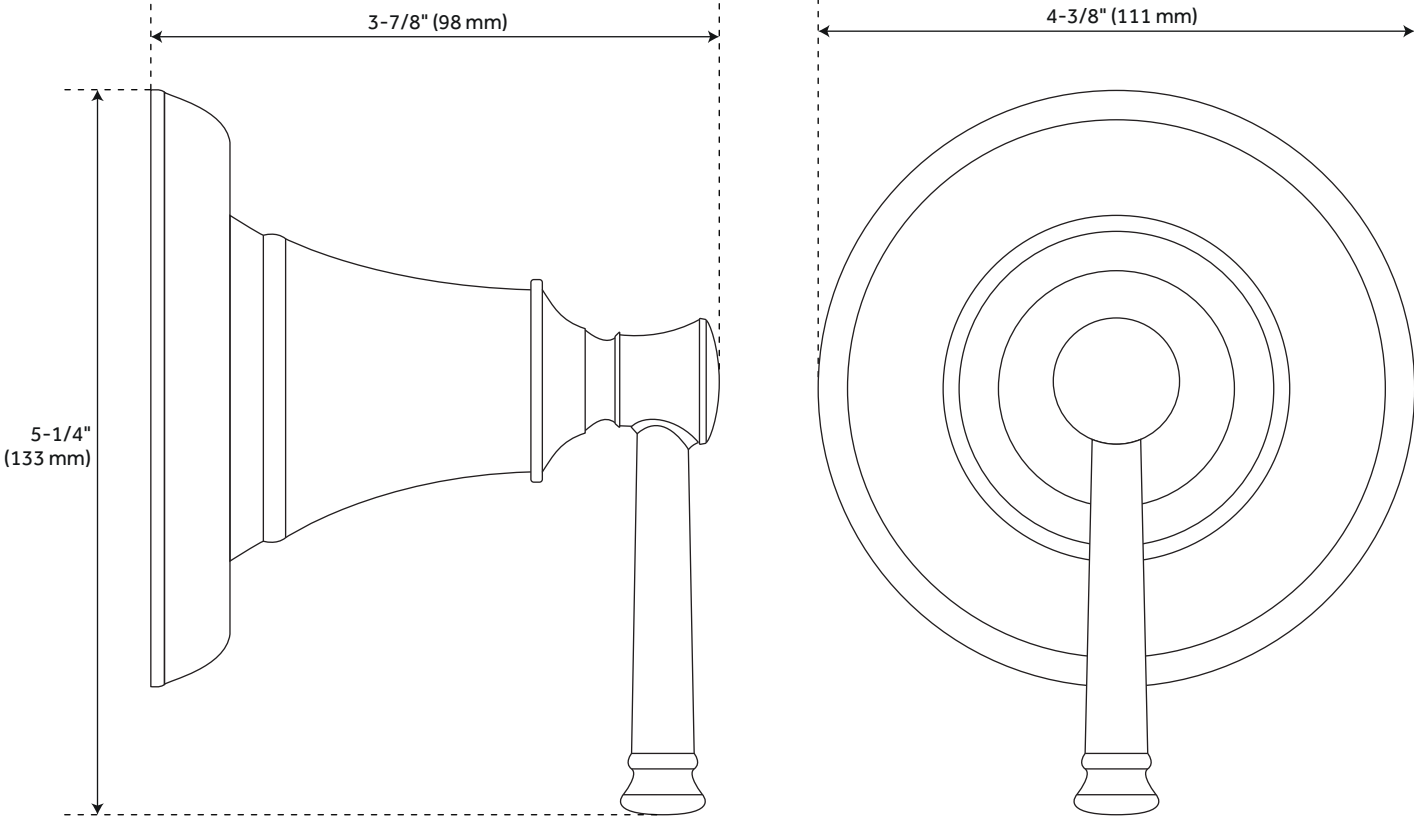
CODE: SH6103



All dimensions and specifications are nominal and may vary. Use actual products for accuracy in critical situations.

BEASLEY IN-WALL SHOWER VOLUME CONTROL VALVE TRIM

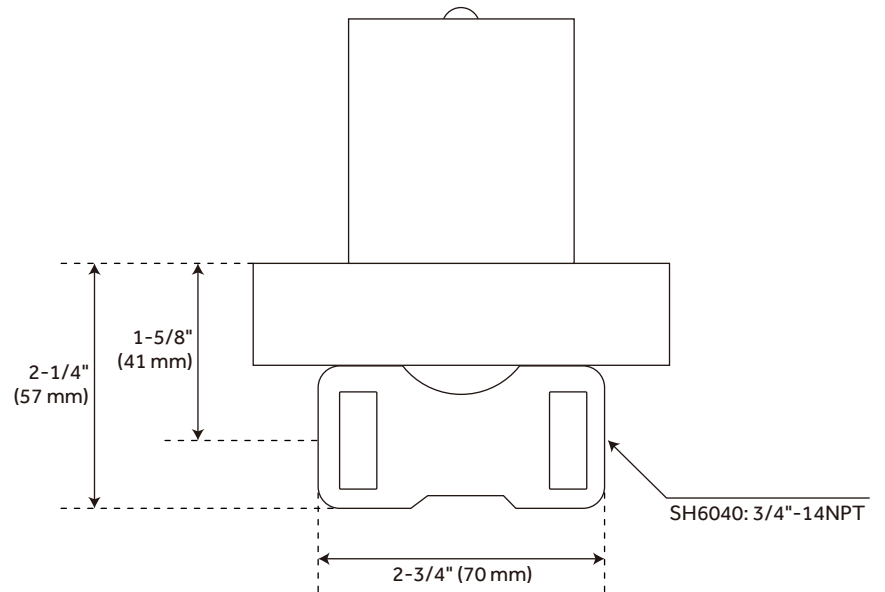
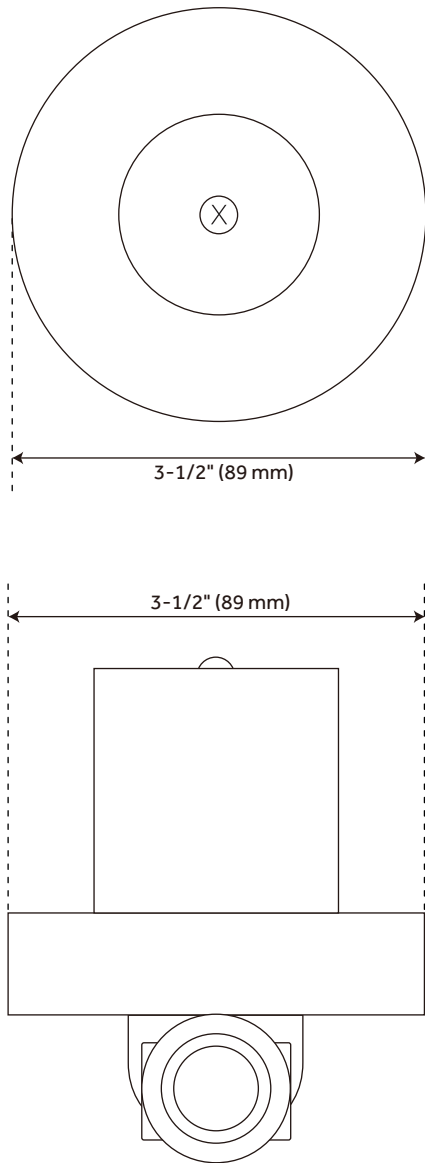
CODE: SHBE9007



All dimensions and specifications are nominal and may vary. Use actual products for accuracy in critical situations.

BEASLEY OPTIONAL VOLUME CONTROL ROUGH-IN VALVE

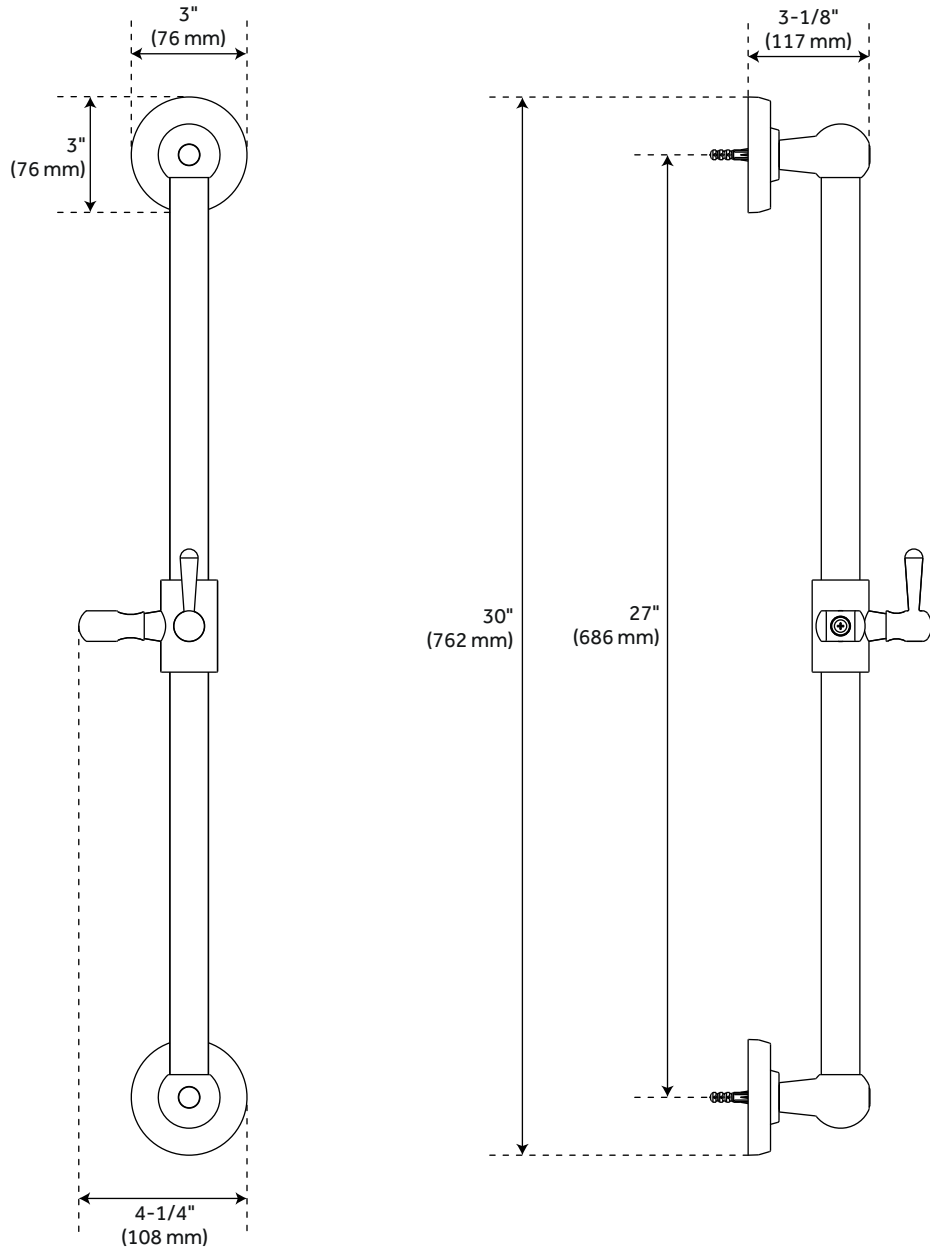
CODE: SH6040



All dimensions and specifications are nominal and may vary. Use actual products for accuracy in critical situations.

BEASLEY SLIDE BAR

CODE: SHSB3010



All dimensions and specifications are nominal and may vary. Use actual products for accuracy in critical situations.