

# BEASLEY PRESSURE BALANCE TUB AND SHOWER SYSTEM

SKU: 953957

Code: SHBE80102, SH4001, SHRSA123, SHRSB820RG, SHTS80



ASME A112.18.1/CSA B125.1

ASSE 1016 Type P

CEC Listed

WaterSense by IAPMO

Massachusetts Accepted

LISTED ID: SH4001, SHRSB820RG\*, SHTS80\*\*,  
SHRSA123\*\*, SHBE80102\*



## FEATURES

Installation Type: Wall Mount

Features: Pressure-Balanced, Tub Spout Included, Rough-In Included

Design: Modern

Material: Metal

Mounting Hardware Included: Yes

Assembly Required: Yes

Shape: Round

Handle Type: Lever

NPT Connection: 1/2"

Body Sprays: No

Shower Head Installation Type: Wall

Number of Shower Heads: 1

Shower Head Spray: Single Function

Shower Head Length: 8"

Shower Head Width: 8"

Shower Arm Included: Yes

Shower Arm Extension: 12-3/8"

Shower Arm Height: 5-3/8"

Shower Head: 1/2" NPSM

Shower Head Swivel: Yes

Tub Filler Spout Reach: 6-5/8"

Valve Trim Width: 7-1/4"

Valve Trim Height: 7-1/4"

Diverter Included: Yes

Diverter Outlets: 1

Shower Head Flow Rate: 1.8 gpm (6.8 L/min) @ 80 psi

Rainfall Shower Head Flow Rate: 1.8 gpm (6.8 L/min) @ 80 psi

Ceramic Disc Cartridges: Yes

REVISED 1/15/2024

# BEASLEY PRESSURE BALANCE TUB AND SHOWER SYSTEM

SKU: 953957

Code: SHBE80102, SH4001, SHRSA123, SHRSB820RG, SHTS80



## ADDITIONAL FEATURES

Pressure Balance Shower Valve Trim:

- Metal lever handle.

Pressure Balance Tub & Shower Rough-In Valve:

- Pressure balance valve with integral stops.
- Cast bronze valve body.

12" Wall-Mount Rainfall Shower Arm

- Solid brass construction.
- Escutcheon included.

8" Modern Round Rainfall Shower Head - 1.8 GPM:

- Single function shower head (full spray).
- Brass ball joint.

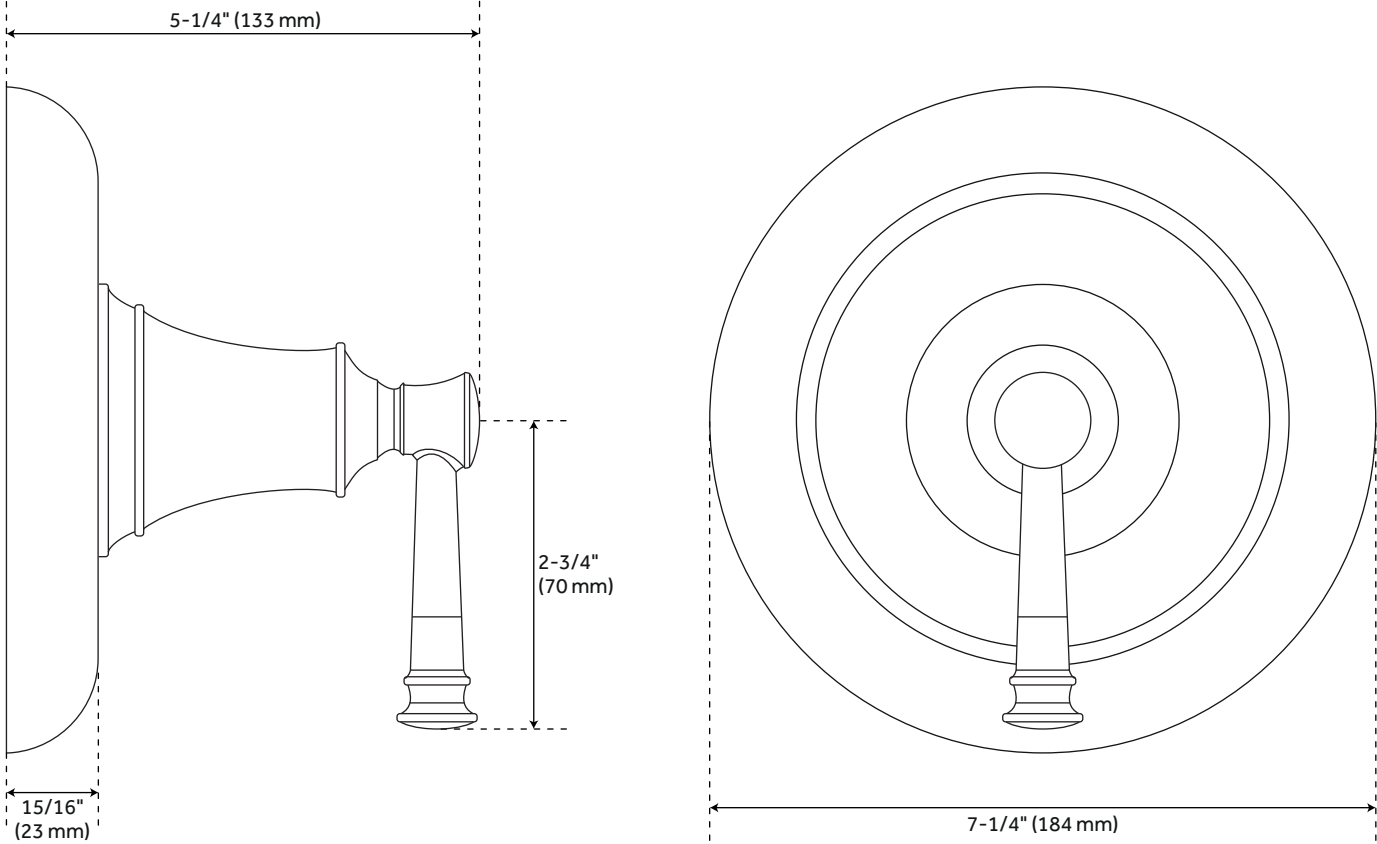
Tub Spout with Diverter:

- 1/2" Slip fit connection.

REVISED 1/15/2024

# BEASLEY PRESSURE BALANCE SHOWER VALVE TRIM

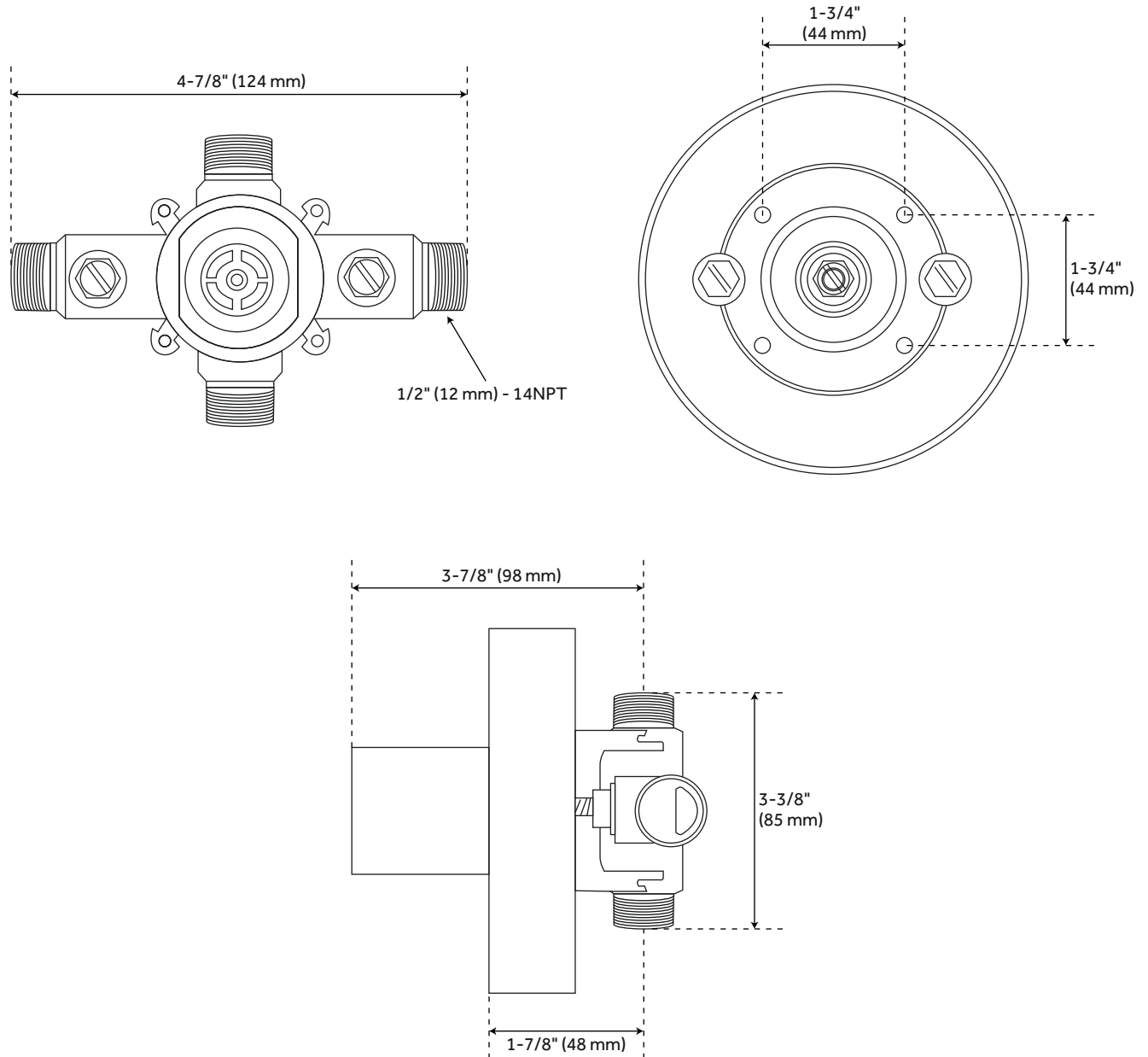
CODE: SHBE80102



All dimensions and specifications are nominal and may vary. Use actual products for accuracy in critical situations.

# PRESSURE BALANCE TUB AND SHOWER ROUGH-IN VALVE

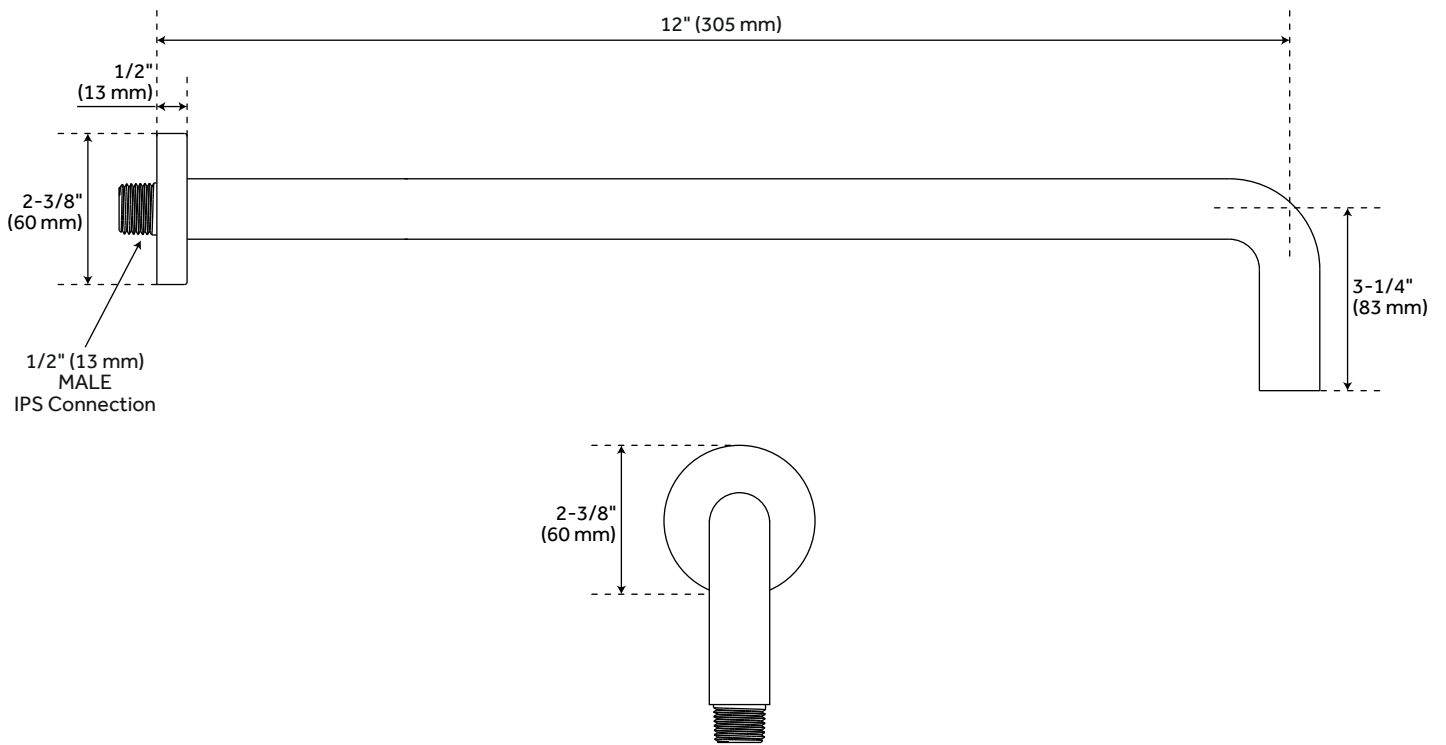
CODE: SH4001



All dimensions and specifications are nominal and may vary. Use actual products for accuracy in critical situations.

# BEASLEY WALL-MOUNT SHOWER ARM

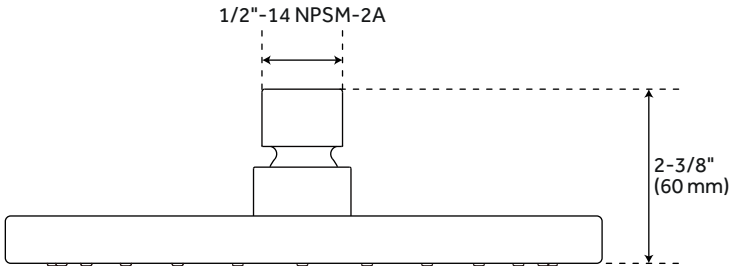
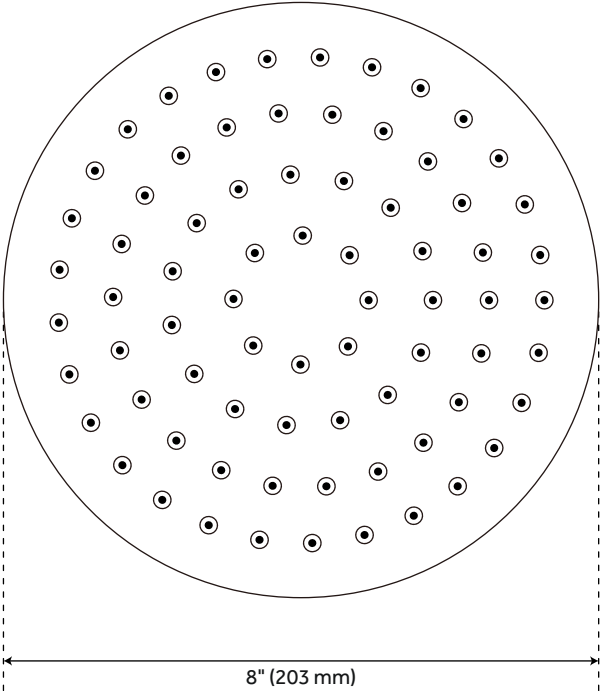
CODE: SHRSA123



All dimensions and specifications are nominal and may vary. Use actual products for accuracy in critical situations.

# BEASLEY RAINFALL SHOWERHEAD

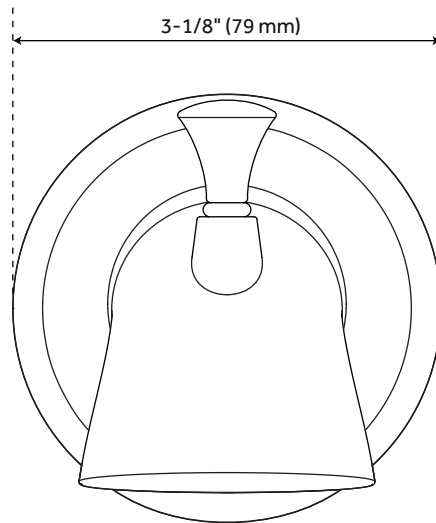
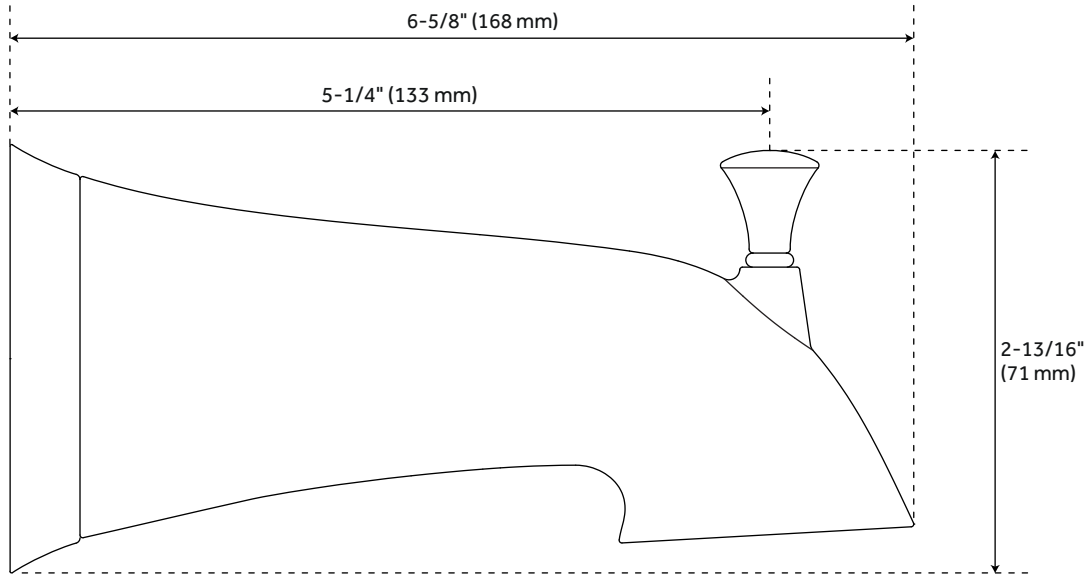
CODE: SHRSB820RG



All dimensions and specifications are nominal and may vary. Use actual products for accuracy in critical situations.

# BEASLEY TUB SPOUT

CODE: SHTS80



All dimensions and specifications are nominal and may vary. Use actual products for accuracy in critical situations.